

PROJECT NAME: _____

DATE: _____

JOB LOCATION: _____

COMPANY: _____

PLEASE USE ADOBE READER OR ADOBE ACROBAT TO FILL OUT AND SAVE FORM. USING OTHER PROGRAMS COULD RESULT IN UNSAVED DATA.

MODEL

QUANTITY MODEL

_____	SLUNN-24T10	Universal Receptacle, 24 gallon, top opening, 10" diameter opening
_____	SLUNN-24T6	Universal Receptacle, 24 gallon, top opening, 6" diameter opening
_____	SLUNN-24TP	Universal Receptacle, 24 gallon, top opening, paper slot
_____	SLUNN-24TS	Universal Receptacle, 24 gallon, top opening, split-stream
_____	SLUNN-24SSS	Universal Receptacle, 24 gallon, side opening, standard opening / standard opening
_____	SLUNN-24SSR	Universal Receptacle, 24 gallon, side opening, standard opening / round opening
_____	SLUNN-24SRR	Universal Receptacle, 24 gallon, side opening, round opening / round opening

OPTIONS

FIG. 1: UNIVERSAL RECEPTACLE, 24 GALLON, SIDE OPENING, STANDARD OPENING

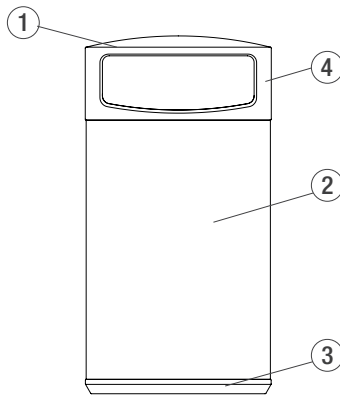
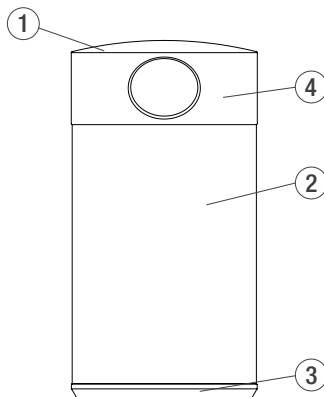


FIG. 2: UNIVERSAL RECEPTACLE, 24 GALLON, SIDE OPENING, ROUND OPENING



①

Lid Material

Please select **one** option below.

Polyethylene, Slate

Stainless Steel, Satin*

**Only available for top opening, 10" diameter opening lid; add \$100 per receptacle.*

②

Body Finish & Pattern Options

Instructions: Please make one selection for your desired Pattern and Finish combination. Columns (to the right) represent available Pattern options; rows (below) represent available Finish options.	Patterns								
	No Pattern	Horizon Eco-Etch*	Pinstripe Eco-Etch*	Prism Eco-Etch*	Dune Impression*	Canyon Impression*	Fade Perforation*	Fall Perforation*	Scape Perforation*
Example: Pattern: Dune Impression. Finishes: Stainless Steel, Seastone. Place an "x" in the box where the Dune Impression Pattern column, and the Stainless Steel, Seastone Finish row intersect eachother.									
Finishes									
Stainless Steel, Sandstone									
Stainless Steel, Seastone									
Stainless Steel, Linen									
Stainless Steel, Diamond									
Stainless Steel, Satin									

**Add \$75 per receptacle.*

3

Base Material Options

Please select **one** option below.

- Polyethylene, Slate
- Concrete, Black Sand*

*Add \$75 per receptacle

Installation Options

Please select **one** option below.

- Freestanding (with levelers)
- Surface mount (with levelers - mounting hardware included)

Lid Tether

Please select **one** option below.

- Lid Tether Yes* No

*Add \$20 per receptacle

Number of Liners (side-opening receptacles)

Please select **one** option below.

Note: Top opening receptacles have as many liners as there are openings. Side-opening receptacles an have one full liner or two half liners with an internal baffle.

- One full liner
- Two half liners* (includes internal baffle)

*Add \$80 per receptacle

Liner Options

Please select **one** option below.

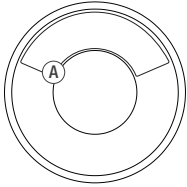
- Bag straps Yes No
- Drain holes Yes No

4

Graphic Message & Background Color Options

Please select a message and color for Graphic A for single-stream models, or both Graphic A and B for split-stream models. **NOTE:** All letters and symbols are white; specified color is for the graphic's background. Please see **Figure 3**, on Page 5 for graphic examples.

Top opening, 10" diameter opening



Graphic A Message

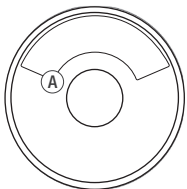
- no graphic
- litter*
- landfill*
- recycling
- bottles & cans
- paper
- compost

Graphic A Background Color

- black
- blue
- green

*Note: Litter and Landfill graphics are only available in black background color.

Top opening, 6" diameter opening



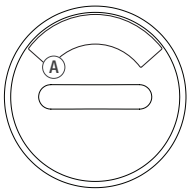
Graphic A Message

- no graphic
- bottles & cans
- recycling

Graphic A Background Color

- black
- blue
- green

Top opening, paper slot



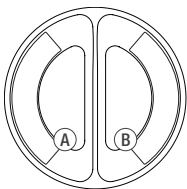
Graphic A Message

- no graphic
- recycling
- paper

Graphic A Background Color

- black
- blue
- green

Top opening, split-stream



Graphic A Message

- no graphic
- litter*
- landfill*
- recycling
- bottles & cans
- paper
- compost

Graphic A Background Color

- black
- blue
- green

Graphic B Message

- no graphic
- litter*
- landfill*
- recycling
- bottles & cans
- paper
- compost

Graphic B Background Color

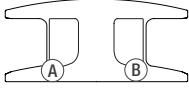
- black
- blue
- green

*Note: Litter and Landfill graphics are only available in black background color.

Graphic Message & Background Color Options (continued)

Please select a message and color for Graphic A for single-stream models, or both Graphic A and B for split-stream models. **NOTE:** All letters and symbols are white; specified color is for the graphic's background. Please see **Figure 3**, on Page 5.

Side opening, standard opening / standard opening



Graphic A Message

- no graphic
- litter*
- landfill*
- recycling
- bottles & cans
- paper
- compost

Graphic A Background Color

- black
- blue
- green

Graphic B Message

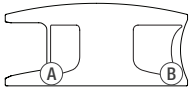
- no graphic
- litter*
- landfill*
- recycling
- bottles & cans
- paper
- compost

Graphic B Background Color

- black
- blue
- green

*Note: Litter and Landfill graphics are only available in black background color.

Side opening, standard opening / round opening



Graphic A Message

- no graphic
- litter*
- landfill*
- recycling
- bottles & cans
- paper
- compost

Graphic A Background Color

- black
- blue
- green

Graphic B Message

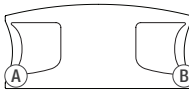
- no graphic
- recycling
- bottles & cans

Graphic B Background Color

- black
- blue
- green

*Note: Litter and Landfill graphics are only available in black background color.

Side opening, round opening / round opening



Graphic A Message

- no graphic
- recycling
- bottles & cans

Graphic A Background Color

- black
- blue
- green

Graphic B Message

- no graphic
- recycling
- bottles & cans

Graphic B Background Color

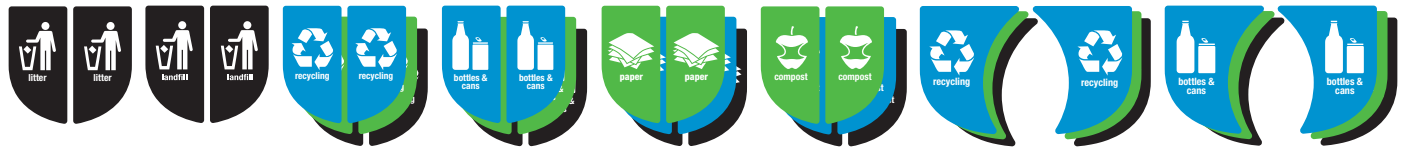
- black
- blue
- green

FIG. 3: GRAPHIC EXAMPLES

Top-Opening Graphics



Side-Opening Graphics



NOTES

Please send completed forms to sales@forms-surfaces.com or contact us at 800.451.0410 with any questions.