

PROJECT NAME: _____

DATE: _____

JOB LOCATION: _____

COMPANY: _____

SPECIFIER: _____

PLEASE USE ADOBE READER OR ADOBE ACROBAT TO FILL OUT AND SAVE FORM. USING OTHER PROGRAMS COULD RESULT IN UNSAVED DATA.

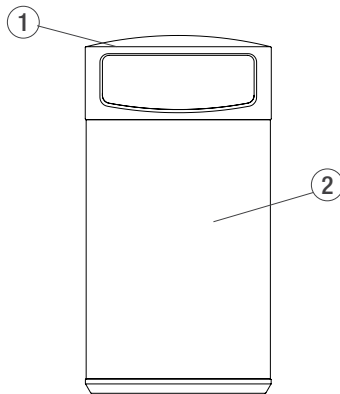
MODEL

QUANTITY MODEL

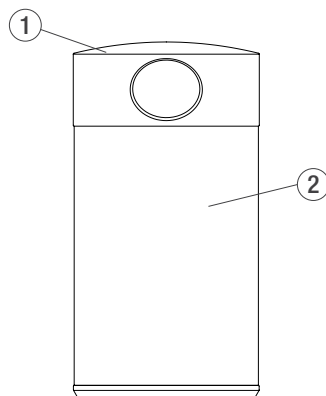
_____	SLUNN-24T10	Universal Receptacle, 24 gallon, top opening, 10" diameter opening
_____	SLUNN-24TS	Universal Receptacle, 24 gallon, top opening, split-stream
_____	SLUNN-24SSS	Universal Receptacle, 24 gallon, side opening, standard opening / standard opening
_____	SLUNN-24SSR	Universal Receptacle, 24 gallon, side opening, standard opening / round opening

OPTIONS

**UNIVERSAL RECEPTACLE, 24 GALLON,
SIDE OPENING, STANDARD OPENING**



**UNIVERSAL RECEPTACLE, 24 GALLON,
SIDE OPENING, ROUND OPENING**



①

Lid Material Options

Please select **one** option below.

- Polyethylene, Slate-colored
- Stainless Steel, Satin finish*

*Only available for top opening, 10" diameter opening lid.

②

Body Finish & Pattern Options

Place an "x" in one box for your body finish/pattern combination.

Finishes	Patterns			
	No Pattern	Horizon Eco-Etch	Dune Impression	Fade Perforation
Stainless Steel, Sandstone				
Stainless Steel, Seastone				
Stainless Steel, Linen				
Stainless Steel, Diamond				
Stainless Steel, Satin				

Lid Tether

Please select **one** option below.

Yes

No

Number of Liners (side opening receptacles)

Please select **one** option below.

Two half liners

One full liner

Mounting Options

Freestanding with levelers

Surface Mount*

Add F+S stainless steel mounting hardware kit*

Do not include F+S mounting hardware kit

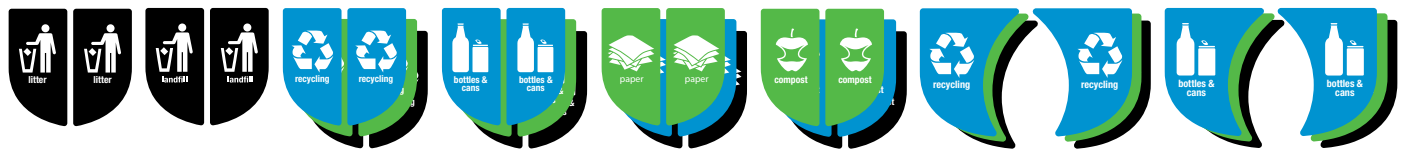
**Hardware is required for surface mount litter receptacles. Mounting kits can be purchased from F+S for an additional charge.*

GRAPHIC EXAMPLES

Top-Opening Graphics



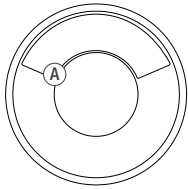
Side-Opening Graphics



Graphic Message & Background Color Options

Please select a message and color for Graphic A for single-stream models, or both Graphic A and B for split-stream models. **NOTE:** All letters and symbols are white; specified color is for the graphic's background. Please see Page 2 for graphic examples.

Top opening, 10" diameter opening



Graphic A Message

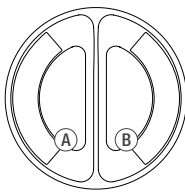
no graphic	bottles & cans
litter*	paper
landfill*	compost
recycling	

Graphic A Background Color

black
blue
green

*Note: Litter and Landfill graphics are only available in black background color.

Top opening, split-stream



Graphic A Message

no graphic	bottles & cans
litter*	paper
landfill*	compost
recycling	

Graphic A Background Color

black
blue
green

Graphic B Message

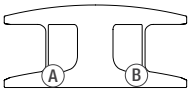
no graphic	bottles & cans
litter*	paper
landfill*	compost
recycling	

Graphic B Background Color

black
blue
green

*Note: Litter and Landfill graphics are only available in black background color.

Side opening, standard opening / standard opening



Graphic A Message

no graphic	bottles & cans
litter*	paper
landfill*	compost
recycling	

Graphic A Background Color

black
blue
green

Graphic B Message

no graphic	bottles & cans
litter*	paper
landfill*	compost
recycling	

Graphic B Background Color

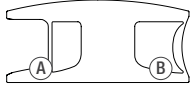
black
blue
green

*Note: Litter and Landfill graphics are only available in black background color.

Graphic Message & Background Color Options (continued)

Please select a message and color for Graphic A for single-stream models, or both Graphic A and B for split-stream models. **NOTE:** All letters and symbols are white; specified color is for the graphic's background. Please see Page 2 for graphic examples.

Side opening, standard opening / round opening



Graphic A Message

no graphic	bottles & cans
litter*	paper
landfill*	compost
recycling	

Graphic A Background Color

black
blue
green

Graphic B Message

no graphic
recycling
bottles & cans

Graphic B Background Color

black
blue
green

*Note: Litter and Landfill graphics are only available in black background color.

NOTES

Please send completed forms to sales@forms-surfaces.com or contact us at 800.451.0410 with any questions.