

PROJECT NAME: \_\_\_\_\_

DATE: \_\_\_\_\_

JOB LOCATION: \_\_\_\_\_

COMPANY: \_\_\_\_\_

SPECIFIER: \_\_\_\_\_

PLEASE USE ADOBE READER OR ADOBE ACROBAT TO FILL OUT AND SAVE FORM. USING OTHER PROGRAMS COULD RESULT IN UNSAVED DATA.

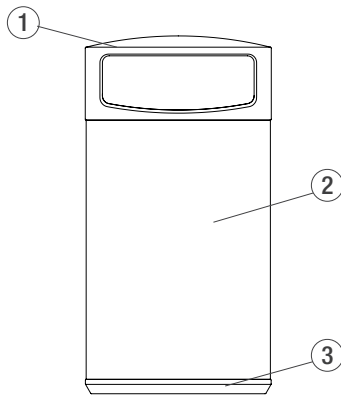
**MODEL**

**QUANTITY MODEL**

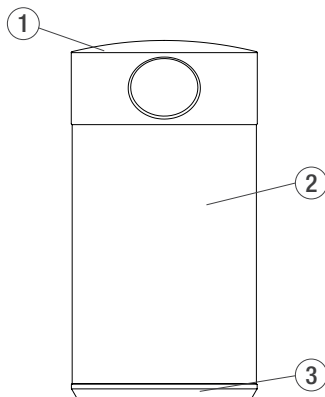
_____	SLUNN-24T10	Universal Receptacle, 24 gallon, top opening, 10" diameter opening
_____	SLUNN-24TS	Universal Receptacle, 24 gallon, top opening, split-stream
_____	SLUNN-24SSS	Universal Receptacle, 24 gallon, side opening, standard opening / standard opening
_____	SLUNN-24SSR	Universal Receptacle, 24 gallon, side opening, standard opening / round opening

**OPTIONS**

**UNIVERSAL RECEPTACLE, 24 GALLON,  
SIDE OPENING, STANDARD OPENING**



**UNIVERSAL RECEPTACLE, 24 GALLON,  
SIDE OPENING, ROUND OPENING**



①

**Lid Material Options**

Please select **one** option below.

- Polyethylene, Slate-colored
- Stainless Steel, Satin finish\*

\*Only available for top opening, 10" diameter opening lid.

②

**Body Finish & Pattern Options**

Place an "x" in one box for your body finish/pattern combination.

Finishes	Patterns			
	No Pattern	Horizon Eco-Etch	Dune Impression	Fade Perforation
Stainless Steel, Sandstone				
Stainless Steel, Seastone				
Stainless Steel, Linen				
Stainless Steel, Diamond				
Stainless Steel, Satin				

③

**Base Material Options**

Please select **one** option below.

- Polyethylene, Slate-colored       TENSLE ultra high performance concrete (UHPC)

**Lid Tether**

Please select **one** option below.

- Yes       No

**Number of Liners (side opening receptacles)**

Please select **one** option below.

- Two half liners       One full liner

**Mounting Options**

- Freestanding with levelers  
 Surface Mount\*  
      Add F+S stainless steel mounting hardware kit\*  
      Do not include F+S mounting hardware kit

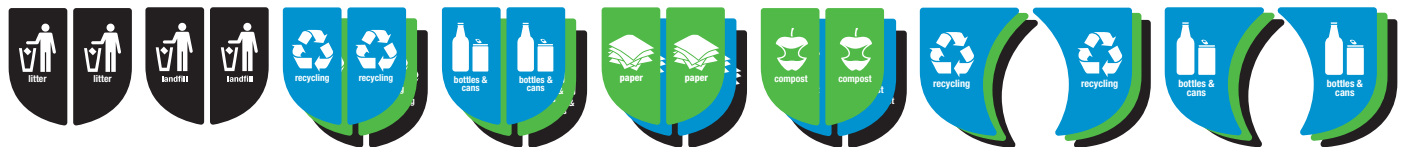
\*Hardware is required for surface mount litter receptacles. Mounting kits can be purchased from F+S for an additional charge.

**GRAPHIC EXAMPLES**

**Top-Opening Graphics**



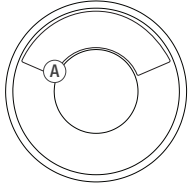
**Side-Opening Graphics**



**Graphic Message & Background Color Options**

Please select a message and color for Graphic A for single-stream models, or both Graphic A and B for split-stream models. **NOTE:** All letters and symbols are white; specified color is for the graphic's background. Please see Page 2 for graphic examples.

**Top opening, 10" diameter opening**



**Graphic A Message**

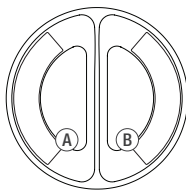
- no graphic
- litter\*
- landfill\*
- recycling
- bottles & cans
- paper
- compost

**Graphic A Background Color**

- black
- blue
- green

\*Note: Litter and Landfill graphics are only available in black background color.

**Top opening, split-stream**



**Graphic A Message**

- no graphic
- litter\*
- landfill\*
- recycling
- bottles & cans
- paper
- compost

**Graphic A Background Color**

- black
- blue
- green

**Graphic B Message**

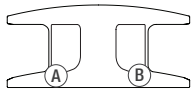
- no graphic
- litter\*
- landfill\*
- recycling
- bottles & cans
- paper
- compost

**Graphic B Background Color**

- black
- blue
- green

\*Note: Litter and Landfill graphics are only available in black background color.

**Side opening, standard opening / standard opening**



**Graphic A Message**

- no graphic
- litter\*
- landfill\*
- recycling
- bottles & cans
- paper
- compost

**Graphic A Background Color**

- black
- blue
- green

**Graphic B Message**

- no graphic
- litter\*
- landfill\*
- recycling
- bottles & cans
- paper
- compost

**Graphic B Background Color**

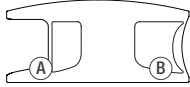
- black
- blue
- green

\*Note: Litter and Landfill graphics are only available in black background color.

**Graphic Message & Background Color Options (continued)**

Please select a message and color for Graphic A for single-stream models, or both Graphic A and B for split-stream models. **NOTE:** All letters and symbols are white; specified color is for the graphic's background. Please see Page 2 for graphic examples.

**Side opening, standard opening / round opening**



**Graphic A Message**

- no graphic
- bottles & cans
- litter\*
- paper
- landfill\*
- compost
- recycling

**Graphic A Background Color**

- black
- blue
- green

**Graphic B Message**

- no graphic
- recycling
- bottles & cans

**Graphic B Background Color**

- black
- blue
- green

\*Note: Litter and Landfill graphics are only available in black background color.

**NOTES**

---



---



---

Please send completed forms to [sales@forms-surfaces.com](mailto:sales@forms-surfaces.com) or contact us at 800.451.0410 with any questions.