

PROJECT NAME: _____

DATE: _____

JOB LOCATION: _____

COMPANY: _____

PLEASE USE ADOBE READER OR ADOBE ACROBAT TO FILL OUT AND SAVE FORM. USING OTHER PROGRAMS COULD RESULT IN UNSAVED DATA.

MODEL

QUANTITY MODEL

| | | |
|-------|-------------|--|
| _____ | SLUNN-36T10 | Universal Receptacle, 36 gallon, top opening, 10" diameter opening |
| _____ | SLUNN-36T6 | Universal Receptacle, 36 gallon, top opening, 6" diameter opening |
| _____ | SLUNN-36TP | Universal Receptacle, 36 gallon, top opening, paper slot |
| _____ | SLUNN-36TS | Universal Receptacle, 36 gallon, top opening, split-stream |
| _____ | SLUNN-36TT | Universal Receptacle, 36 gallon, top opening, tri-stream |
| _____ | SLUNN-36SSS | Universal Receptacle, 36 gallon, side opening, standard opening / standard opening |
| _____ | SLUNN-36SSR | Universal Receptacle, 36 gallon, side opening, standard opening / round opening |
| _____ | SLUNN-36SRR | Universal Receptacle, 36 gallon, side opening, round opening / round opening |

OPTIONS

FIG. 1: UNIVERSAL RECEPTACLE, 36 GALLON, SIDE OPENING, STANDARD OPENING

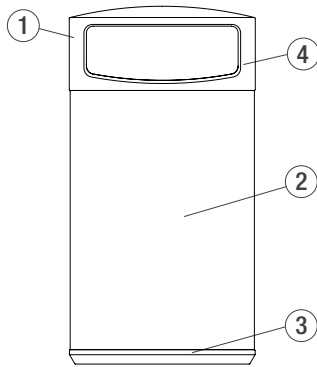
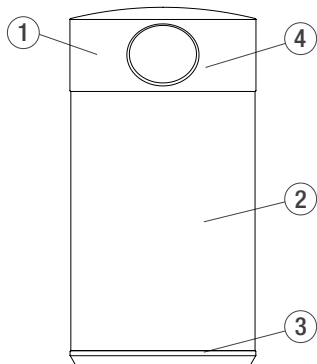


FIG. 2: UNIVERSAL RECEPTACLE, 36 GALLON, TOP OPENING, SPLIT-STREAM, NO PATTERN



①

Lid Material

Please select **one** option below.

- Polyethylene, Slate
- Stainless Steel, Satin*

*Only available for top opening, 10" diameter opening lid; add \$100 per receptacle.

②

Body Finish & Pattern Options

Instructions:

Please make one selection for your desired Pattern and Finish combination. Columns (to the right) represent available Pattern options; rows (below) represent available Finish options.

Example:

Pattern: Dune Impression.
Finishes: Stainless Steel, Seastone.

Place an "x" in the box where the Dune Impression Pattern column, and the Stainless Steel, Seastone Finish row intersect each other.

Finishes

- Stainless Steel, Sandstone
- Stainless Steel, Seastone
- Stainless Steel, Linen
- Stainless Steel, Diamond
- Stainless Steel, Satin

Patterns

| | No Pattern | Horizon Eco-Etch* | Pinstripe Eco-Etch* | Prism Eco-Etch* | Dune Impression* | Canyon Impression* | Fade Perforation* | Fall Perforation* | Scape Perforation* |
|----------------------------|------------|-------------------|---------------------|-----------------|------------------|--------------------|-------------------|-------------------|--------------------|
| Stainless Steel, Sandstone | | | | | | | | | |
| Stainless Steel, Seastone | | | | | | | | | |
| Stainless Steel, Linen | | | | | | | | | |
| Stainless Steel, Diamond | | | | | | | | | |
| Stainless Steel, Satin | | | | | | | | | |

*Add \$75 per receptacle.

3

Base Material Options

Please select **one** option below.

- Polyethylene, Slate
- Concrete, Black Sand*

*Add \$90 per receptacle

Installation Options

Please select **one** option below.

- Freestanding (with levelers)
- Surface mount (with levelers - mounting hardware included)

Lid Tether

Please select **one** option below.

- Lid Tether Yes No

*Add \$20 per receptacle

Number of Liners (side opening receptacles)

Please select **one** option below.

Note: Top opening receptacles have as many liners as there are openings. Side opening receptacles can have one full liner or two half liners with an internal baffle.

- One full liner
- Two half liners* (includes internal baffle)

*Add \$80 per receptacle

Liner Options

Please select **one** option below.

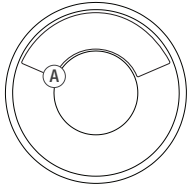
- Bag straps Yes No
- Drain holes Yes No

④

Graphic Message & Background Color Options

Please select a message and color for Graphic A for single-stream models, or both Graphic A and B for split-stream models. **NOTE:** All letters and symbols are white; specified color is for the graphic's background. Please see **Figure 3**, on Page 5 for graphic examples.

Top opening, 10" diameter opening



Graphic A Message

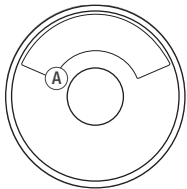
- no graphic
- litter*
- landfill*
- recycling
- bottles & cans
- paper
- compost

Graphic A Background Color

- black
- blue
- green

*Note: Litter and Landfill graphics are only available in black background color.

Top opening, 6" diameter opening



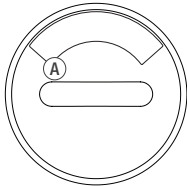
Graphic A Message

- no graphic
- recycling
- bottles & cans

Graphic A Background Color

- black
- blue
- green

Top opening, paper slot



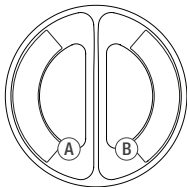
Graphic A Message

- no graphic
- recycling
- paper

Graphic A Background Color

- black
- blue
- green

Top opening, split-stream



Graphic A Message

- no graphic
- litter*
- landfill*
- recycling
- bottles & cans
- paper
- compost

Graphic A Background Color

- black
- blue
- green

Graphic B Message

- no graphic
- litter*
- landfill*
- recycling
- bottles & cans
- paper
- compost

Graphic B Background Color

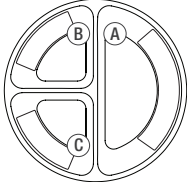
- black
- blue
- green

*Note: Litter and Landfill graphics are only available in black background color.

Graphic Message & Background Color Options (continued)

Please select a message and color for Graphic A for single-stream models, or both Graphic A and B for split-stream models. **NOTE:** All letters and symbols are white; specified color is for the graphic's background. Please see **Figure 3**, on Page 5.

Top opening, tri-stream



Graphic A Message

- no graphic
- litter*
- landfill*
- recycling
- bottles & cans
- paper
- compost

Graphic A Background Color

- black
- blue
- green

Graphic B Message

- no graphic
- litter*
- landfill*
- recycling
- bottles & cans
- paper
- compost

Graphic B Background Color

- black
- blue
- green

Graphic C Message

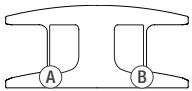
- no graphic
- litter*
- landfill*
- recycling
- bottles & cans
- paper
- compost

Graphic C Background Color

- black
- blue
- green

*Note: Litter and Landfill graphics are only available in black background color.

Side Opening, Standard Opening / Standard Opening



Graphic A Message

- no graphic
- litter*
- landfill*
- recycling
- bottles & cans
- paper
- compost

Graphic A Background Color

- black
- blue
- green

Graphic B Message

- no graphic
- litter*
- landfill*
- recycling
- bottles & cans
- paper
- compost

Graphic B Background Color

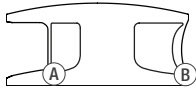
- black
- blue
- green

*Note: Litter and Landfill graphics are only available in black background color.

Graphic Message & Background Color Options (continued)

Please select a message and color for Graphic A for single-stream models, or both Graphic A and B for split-stream models. **NOTE:** All letters and symbols are white; specified color is for the graphic's background. Please see **Figure 3**, on Page 5.

Side opening, standard opening / round opening



Graphic A Message

- no graphic
- litter*
- landfill*
- recycling
- bottles & cans
- paper
- compost

Graphic A Background Color

- black
- blue
- green

Graphic B Message

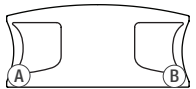
- no graphic
- recycling
- bottles & cans

Graphic B Background Color

- black
- blue
- green

*Note: Litter and Landfill graphics are only available in black background color.

Side opening, round opening / round opening



Graphic A Message

- no graphic
- recycling
- bottles & cans

Graphic A Background Color

- black
- blue
- green

Graphic B Message

- no graphic
- recycling
- bottles & cans

Graphic B Background Color

- black
- blue
- green

FIG. 3: GRAPHIC EXAMPLES

Top-Opening Graphics



Side-Opening Graphics



NOTES

Please send completed forms to sales@forms-surfaces.com or contact us at **800.451.0410** with any questions.