

PROJECT NAME: _____

DATE: _____

JOB LOCATION: _____

COMPANY: _____

SPECIFIER: _____

PLEASE USE ADOBE READER OR ADOBE ACROBAT TO FILL OUT AND SAVE FORM. USING OTHER PROGRAMS COULD RESULT IN UNSAVED DATA.

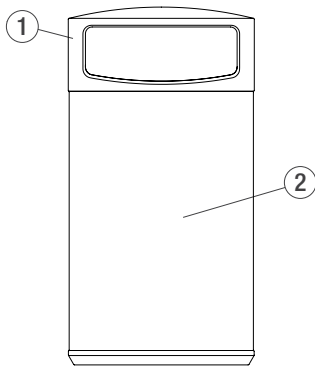
MODEL

QUANTITY MODEL

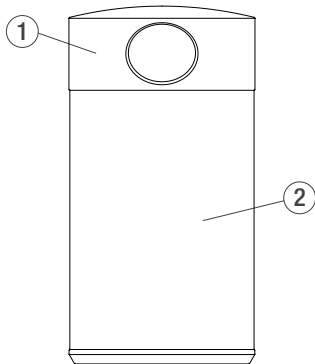
_____	SLUNN-36T10	Universal Receptacle, 36 gallon, top opening, 10" diameter opening
_____	SLUNN-36TS	Universal Receptacle, 36 gallon, top opening, split-stream
_____	SLUNN-36SSS	Universal Receptacle, 36 gallon, side opening, standard opening / standard opening
_____	SLUNN-36SSR	Universal Receptacle, 36 gallon, side opening, standard opening / round opening

OPTIONS

UNIVERSAL RECEPTACLE, 36 GALLON,
SIDE OPENING, STANDARD OPENING



UNIVERSAL RECEPTACLE, 36 GALLON,
SIDE OPENING, ROUND OPENING



①

Lid Material

Please select **one** option below.

- Polyethylene, Slate-colored
- Stainless Steel, Satin finish*

*Only available for top opening, 10" diameter opening lid.

②

Body Finish & Pattern Options

Place an "x" in one box for your body finish/pattern combination.

Finishes	Patterns			
	No Pattern	Horizon Eco-Etch	Dune Impression	Fade Perforation
Stainless Steel, Sandstone				
Stainless Steel, Seastone				
Stainless Steel, Linen				
Stainless Steel, Diamond				
Stainless Steel, Satin				

Lid Tether
<i>Please select one option below.</i>
Yes
No

Number of Liners
<i>Please select one option below.</i>
Two half liners (includes internal baffle)
One full liner

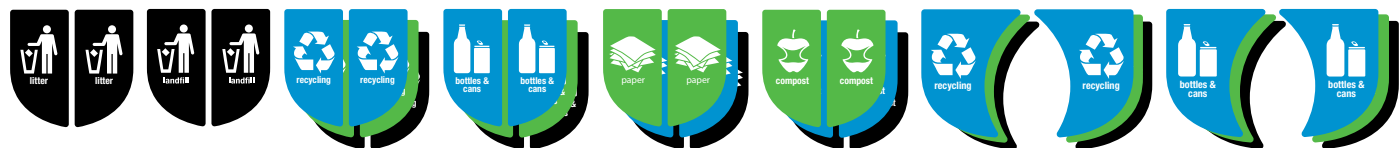
Mounting Options
<p>Freestanding with levelers</p> <p>Surface Mount*</p> <p> Add F+S stainless steel mounting hardware kit*</p> <p> Do not include F+S mounting hardware kit</p> <p><i>*Hardware is required for surface mount litter receptacles. Mounting kits can be purchased from F+S for an additional charge.</i></p>

GRAPHIC EXAMPLES

Top-Opening Graphics



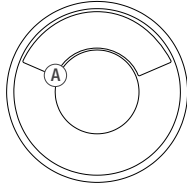
Side-Opening Graphics



Graphic Message & Background Color Options

Please select a message and color for Graphic A for single-stream models, or Graphic A and B for split-stream models. **NOTE:** All letters and symbols are white; specified color is for the graphic's background. Please see Page 2 for graphic examples.

Top opening, 10" diameter opening



Graphic A Message

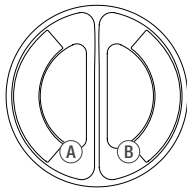
no graphic	bottles & cans
litter*	paper
landfill*	compost
recycling	

Graphic A Background Color

black
blue
green

*Note: Litter and Landfill graphics are only available in black background color.

Top opening, split-stream



Graphic A Message

no graphic	bottles & cans
litter*	paper
landfill*	compost
recycling	

Graphic A Background Color

black
blue
green

Graphic B Message

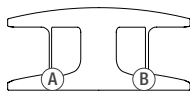
no graphic	bottles & cans
litter*	paper
landfill*	compost
recycling	

Graphic B Background Color

black
blue
green

*Note: Litter and Landfill graphics are only available in black background color.

Side opening, standard opening / standard opening



Graphic A Message

no graphic	bottles & cans
litter*	paper
landfill*	compost
recycling	

Graphic A Background Color

black
blue
green

Graphic B Message

no graphic	bottles & cans
litter*	paper
landfill*	compost
recycling	

Graphic B Background Color

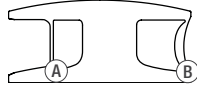
black
blue
green

*Note: Litter and Landfill graphics are only available in black background color.

Graphic Message & Background Color Options (continued)

Please select a message and color for Graphic A and B. **NOTE:** All letters and symbols are white; specified color is for the graphic's background. Please see page 2 for graphic examples.

Side opening, standard opening / round opening



Graphic A Message

no graphic	bottles & cans
litter*	paper
landfill*	compost
recycling	

Graphic A Background Color

black
blue
green

Graphic B Message

no graphic
recycling
bottles & cans

Graphic B Background Color

black
blue
green

**Note: Litter and Landfill graphics are only available in black background color.*

NOTES

Please send completed forms to sales@forms-surfaces.com or contact us at **800.451.0410** with any questions.