

PROJECT NAME: \_\_\_\_\_

DATE: \_\_\_\_\_

JOB LOCATION: \_\_\_\_\_

COMPANY: \_\_\_\_\_

SPECIFIER: \_\_\_\_\_

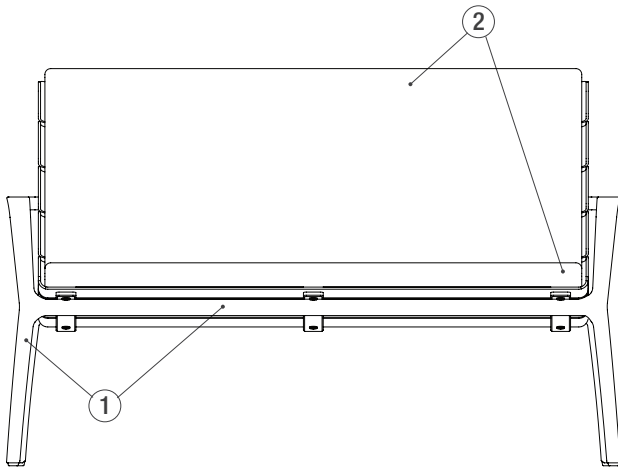
PLEASE USE ADOBE READER OR ADOBE ACROBAT TO FILL OUT AND SAVE FORM. USING OTHER PROGRAMS COULD RESULT IN UNSAVED DATA.

**MODEL**

QUANTITY	MODEL	
_____	SBVYA-T	Vaya Textile Bench

**OPTIONS**

VAYA TEXTILE BENCH



①

**Powdercoat Color Options**

Please select **one** powdercoat color.

Note: Due to the inherent nature of metal castings, gloss powdercoats are not offered for cast components.

**Standard Texture from Forms+Surfaces Powdercoat Chart**

- |   |   |
|---|---|
| <input type="checkbox"/> Alabaster Texture            | <input type="checkbox"/> Dark Corten Texture        |
| <input type="checkbox"/> Aluminum Texture             | <input type="checkbox"/> Dark Grey Metallic Texture |
| <input type="checkbox"/> Argento Texture              | <input type="checkbox"/> Deep Ocean Texture         |
| <input type="checkbox"/> Aubergine Texture            | <input type="checkbox"/> Ink Blue Texture           |
| <input type="checkbox"/> Black Texture                | <input type="checkbox"/> Moss Texture               |
| <input type="checkbox"/> Clay Texture                 | <input type="checkbox"/> Silver Texture             |
| <input type="checkbox"/> Cool Grey Texture            | <input type="checkbox"/> Slate Texture              |
| <input type="checkbox"/> Dark Bronze Metallic Texture | <input type="checkbox"/> White Texture              |

**Custom RAL Powdercoat Color**

(please call for pricing information)

RAL Color: \_\_\_\_\_

②

**Sunbrella® Fabric Options**

Please select **one** option below.

- |                                       |  |
|---------------------------------------|--|
| <input type="checkbox"/> Agave Pewter | <input type="checkbox"/> Dupione Henna   |
| <input type="checkbox"/> Canvas Coal  | <input type="checkbox"/> Linen Silver    |
| <input type="checkbox"/> Canvas Fern  | <input type="checkbox"/> Rib Natural     |
| <input type="checkbox"/> Canvas Spa   | <input type="checkbox"/> Spectrum Indigo |
| <input type="checkbox"/> Cast Petal   | <input type="checkbox"/> Umbra Stone     |

**Mounting Options**

- Freestanding
- Surface Mount\*
  - Add F+S stainless steel mounting hardware kit\*
  - Do not include F+S mounting kit

*\*Hardware is required for surface mount benches. Mounting kits can be purchased from F+S for an additional charge.*

**NOTES**

---

---

---

Please send completed forms to [sales@forms-surfaces.com](mailto:sales@forms-surfaces.com) or contact us at **800.451.0410** with any questions.