

PROJECT NAME: _____

DATE: _____

JOB LOCATION: _____

COMPANY: _____

PLEASE USE ADOBE READER OR ADOBE ACROBAT TO FILL OUT AND SAVE FORM. USING OTHER PROGRAMS COULD RESULT IN UNSAVED DATA.

MODEL

QUANTITY

MODEL

_____	STVTR-72C	Vector Table Ensemble, FSC 100% Cumaru hardwood slats
_____	STVTR-72C-ADA	Vector Table Ensemble, ADA option, FSC 100% Cumaru hardwood slats
_____	STVTR-72A	Vector Table Ensemble, extruded aluminum slats
_____	STVTR-72A-ADA	Vector Table Ensemble, ADA option, extruded aluminum slats

OPTIONS

FIG 1: VECTOR TABLE ENSEMBLE

Shown with optional seat backs

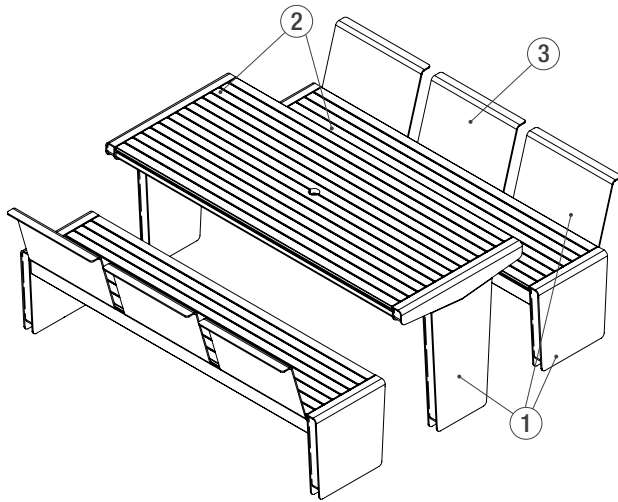
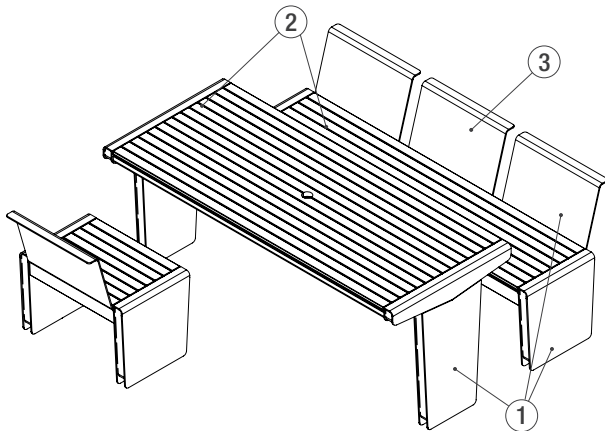


FIG 2: VECTOR TABLE ENSEMBLE, ADA OPTION

Shown with optional seat backs



①

Frame Powdercoat Colors

Please select **one** powdercoat color.

NOTE: Due to the inherent nature of metal castings, gloss powdercoats are not offered for cast components.

Standard Texture from Forms+Surfaces Powdercoat Chart

- | | |
|---|---|
| <input type="checkbox"/> Alabaster Texture | <input type="checkbox"/> Dark Corten Texture |
| <input type="checkbox"/> Aluminum Texture | <input type="checkbox"/> Dark Grey Metallic Texture |
| <input type="checkbox"/> Argento Texture | <input type="checkbox"/> Deep Ocean Texture |
| <input type="checkbox"/> Aubergine Texture | <input type="checkbox"/> Ink Blue Texture |
| <input type="checkbox"/> Black Texture | <input type="checkbox"/> Moss Texture |
| <input type="checkbox"/> Clay Texture | <input type="checkbox"/> Silver Texture |
| <input type="checkbox"/> Cool Grey Texture | <input type="checkbox"/> Slate Texture |
| <input type="checkbox"/> Dark Bronze Metallic Texture | <input type="checkbox"/> White Texture |

Custom RAL Powdercoat Color

(please call for pricing information)

RAL Color: _____

2

Slat Color Options (for models with aluminum slats)

Please select a powdercoat option.

Standard Texture from Forms+Surfaces Powdercoat Chart

- Alabaster Texture
- Aluminum Texture
- Argento Texture
- Aubergine Texture
- Black Texture
- Clay Texture
- Cool Grey Texture
- Dark Bronze Metallic Texture
- Dark Corten Texture
- Dark Grey Metallic Texture
- Deep Ocean Texture
- Ink Blue Texture
- Moss Texture
- Silver Texture
- Slate Texture
- White Texture

Custom RAL Powdercoat Color

(please call for pricing information)

- RAL Color: _____

Umbrella Hole and Sleeve

For use with the Soleris Sunshade

- Umbrella Hole and Sleeve Yes No
 (add \$40 per table ensemble)

3

Seat Backs

Please select **one** seat back option below.

Please note that seat backs cannot be placed at all connection points

- No seat back
- One seat back per 2-foot bench section

Quantity _____ (Add \$175 per seat back)

Placement Notes: _____

Mounting Options

Table is surface mounted. Please select **one** mounting option for benches.

- Surface mount (benches with seat backs must be surface mounted)
- Freestanding

NOTES

Please send completed forms to sales@forms-surfaces.com or contact us at 800.451.0410 with any questions.

FSC License Code: FSC-C004453