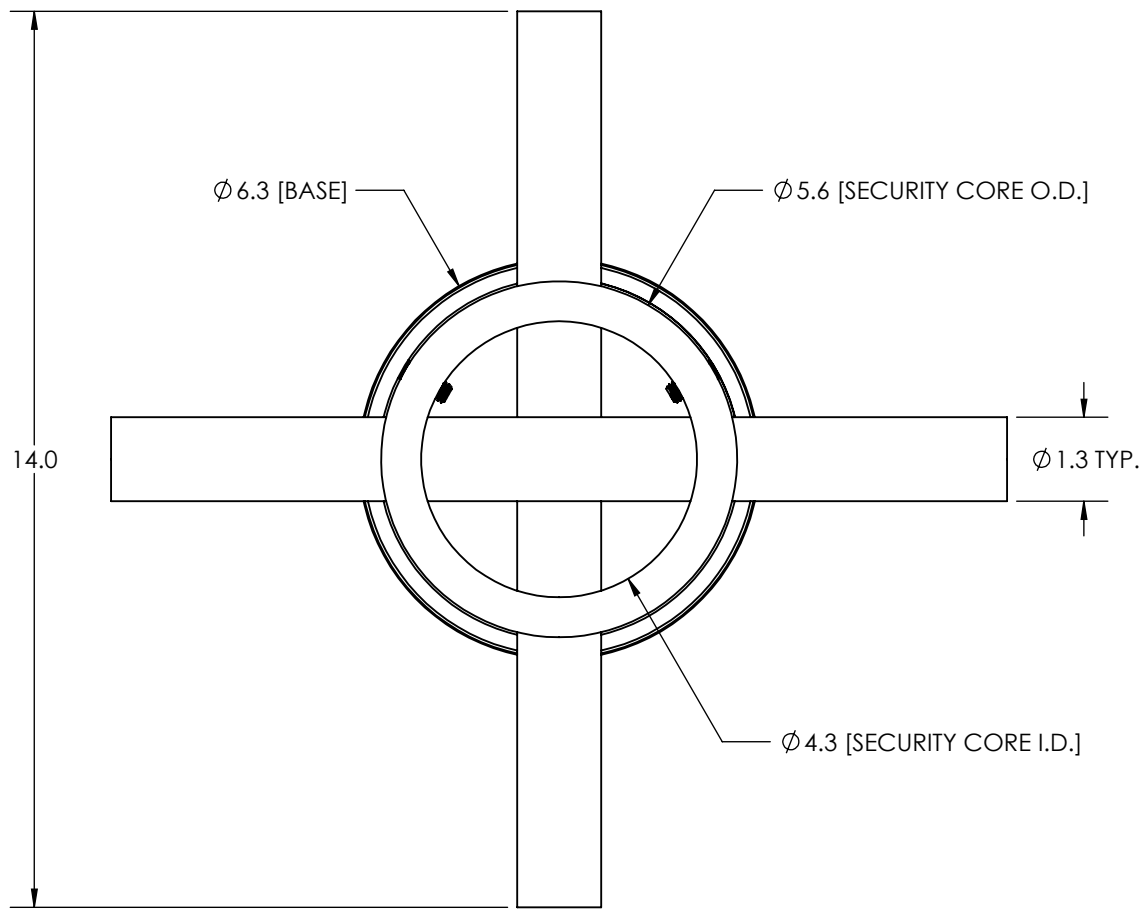


FRONT VIEW



BOTTOM VIEW

CUSTOMER APPROVAL:

X _____

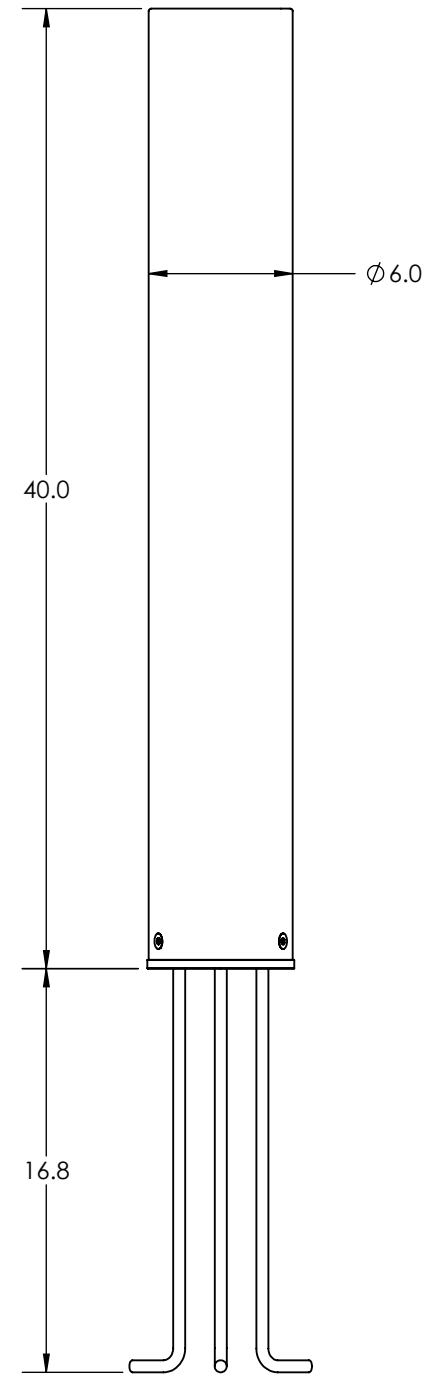
DATE:

X _____

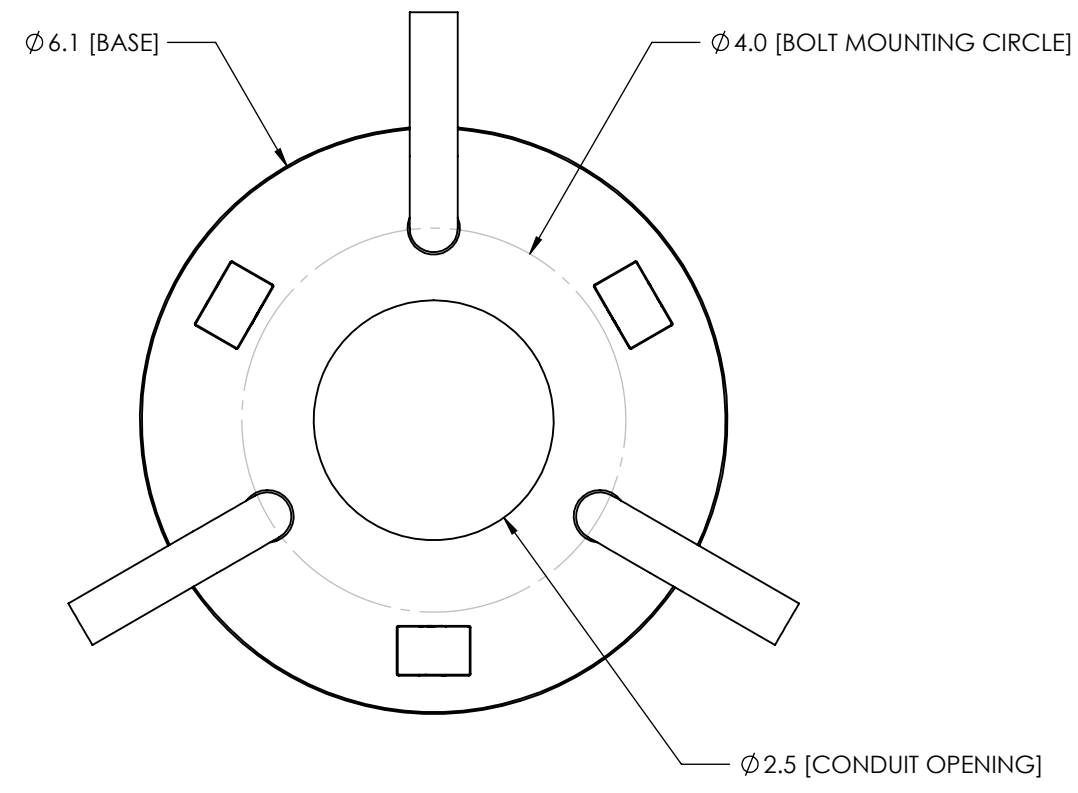
UNLESS OTHERWISE SPECIFIED: 1. PRIMARY DIM. ARE IN INCHES & SECONDARY [DIM] IN MM 2. TOLERANCES FRACTIONAL: ±1/32; ANGULAR/BEND: ±1° TWO PLACE DECIMAL ±.030 THREE PLACE DECIMAL ±.020 3. REMOVE ALL BURRS AND SHARP EDGES				30 Pine Street, Pittsburgh, PA 15223 Tel (412) 781-9003 Fax (412) 781-7840	
THIRD ANGLE PROJECTION		NAME	DATE	DESCRIPTION: HELIO BOLLARD SERIES 600, NON ILLUMINATED, SECURITY LBHLO-603, SEC, NLIT, POLE	
MATERIAL: SEE DATA SHEET		DWN	DEF		
FINISH: SEE DATA SHEET		CHK		DO NOT SCALE DRAWING	
WEIGHT: SEE DATA SHEET		PROPRIETARY AND CONFIDENTIAL THE INFORMATION CONTAINED IN THIS DRAWING IS THE SOLE PROPERTY OF FORMS + SURFACES. ANY REPRODUCTION IN PART OR AS A WHOLE WITHOUT WRITTEN PERMISSION IS PROHIBITED.		SIZE	DWG. NO.
SCALE: NOT TO SCALE				B	LBHLO-603-SEC-NLIT-CS
		REV	SHEET	0	1 OF 1

8 7 6 5 4 3 2 1

D
C
B
A



FRONT VIEW



BOTTOM VIEW

CUSTOMER APPROVAL:

X _____

DATE:

X _____

UNLESS OTHERWISE SPECIFIED: 1. PRIMARY DIM. ARE IN INCHES & SECONDARY [DIM] IN MM 2. TOLERANCES FRACTIONAL: ±1/32; ANGULAR/BEND: ±1° TWO PLACE DECIMAL ±.030 THREE PLACE DECIMAL ±.020 3. REMOVE ALL BURRS AND SHARP EDGES				30 Pine Street, Pittsburgh, PA 15223 Tel (412) 781-9003 Fax (412) 781-7840		
THIRD ANGLE PROJECTION		NAME	DATE	DESCRIPTION: HELIO BOLLARD SERIES 600, NON ILLUMINATED, SFM LBHLO-603, NLIT, POLE		
MATERIAL: SEE DATA SHEET		DWN	DEF			10/25/2019
FINISH: SEE DATA SHEET		CHK				
WEIGHT: SEE DATA SHEET		DO NOT SCALE DRAWING PROPRIETARY AND CONFIDENTIAL THE INFORMATION CONTAINED IN THIS DRAWING IS THE SOLE PROPERTY OF FORMS + SURFACES. ANY REPRODUCTION IN PART OR AS A WHOLE WITHOUT WRITTEN PERMISSION IS PROHIBITED.			REV	SHEET
SCALE: NOT TO SCALE		SIZE	DWG. NO.	REV	SHEET	
		B	LBHLO-603-NLIT-CS	0	1 OF 1	

8 7 6 5 4 3 2 1