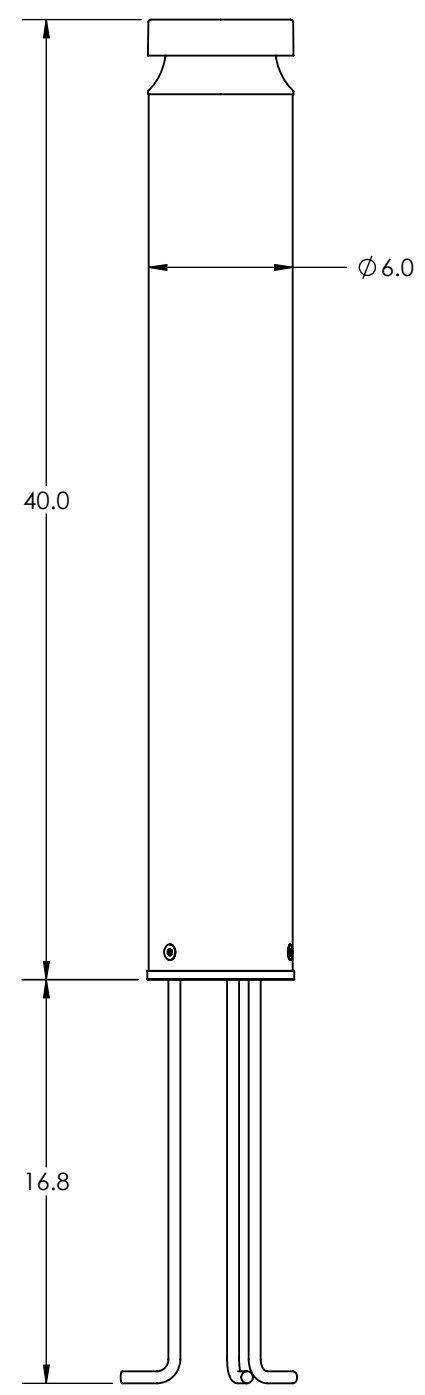
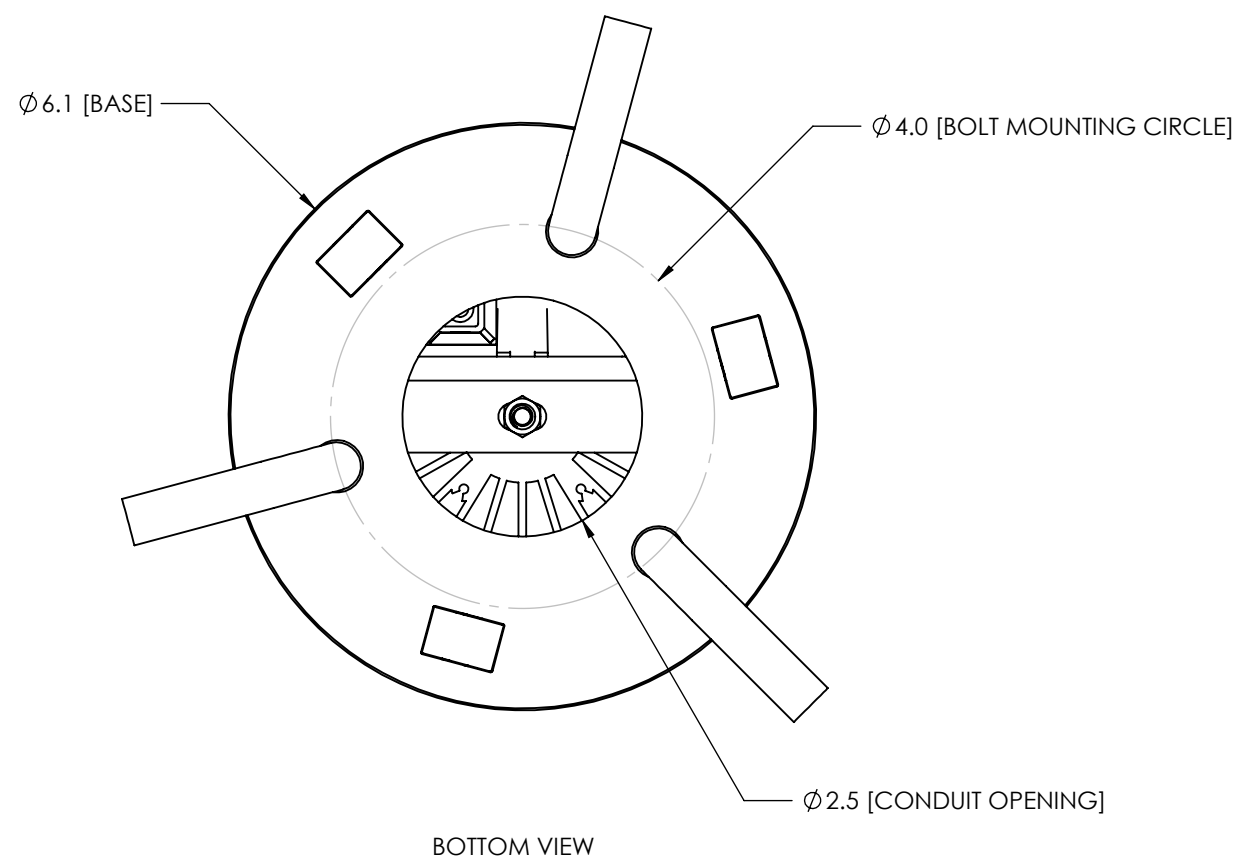


8 7 6 5 4 3 2 1

D
C
B
A



FRONT VIEW



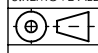
BOTTOM VIEW

CUSTOMER APPROVAL:

X _____

DATE:

X _____

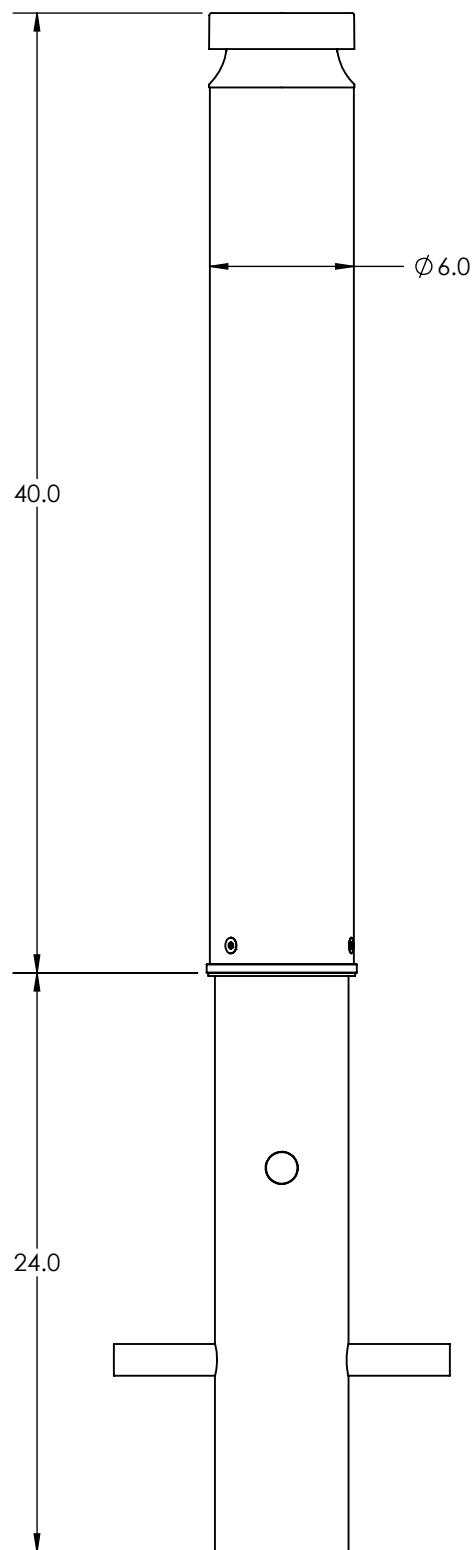
UNLESS OTHERWISE SPECIFIED:
 1. PRIMARY DIM. ARE IN INCHES & SECONDARY [DIM] IN MM
 2. TOLERANCES
 FRACTIONAL: ±1/32; ANGULAR/BEND: ±1°
 TWO PLACE DECIMAL ±.030
 THREE PLACE DECIMAL ±.020
 3. REMOVE ALL BURRS AND SHARP EDGES
 THIRD ANGLE PROJECTION
 MATERIAL: SEE DATA SHEET
 FINISH: SEE DATA SHEET
 WEIGHT: SEE DATA SHEET
 SCALE: NOT TO SCALE

FORMS+SURFACES 30 Pine Street, Pittsburgh, PA 15223
 Tel (412) 781-9003 Fax (412) 781-7840

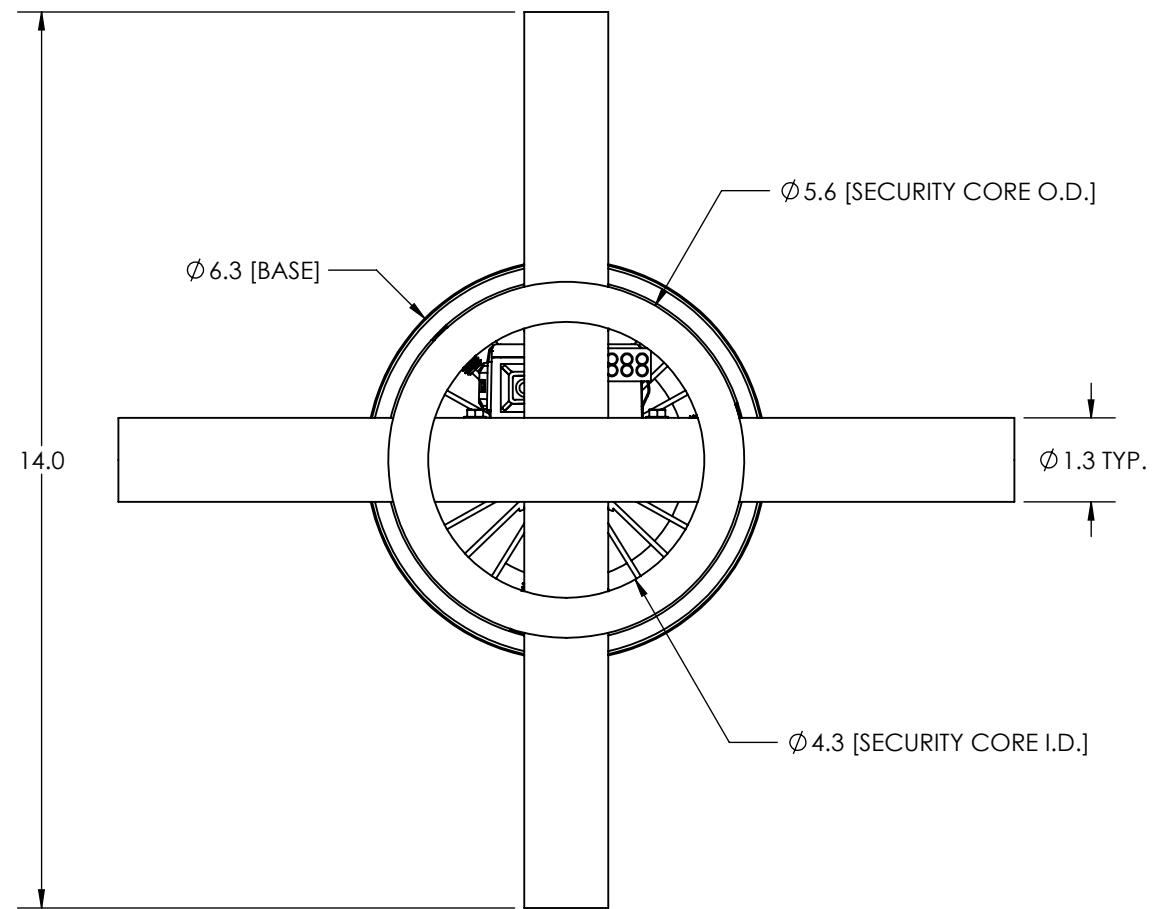
NAME	DATE
DWN	09/23/19
RTS	
CHK	

DESCRIPTION:			
HELIO BOLLARD			
SERIES 600, ILLUMINATED, SFM			
LBHLO-603,360			
SIZE	DWG. NO.	REV	SHEET
B	LBHLO-603-360-CS	0	1 OF 1

8 7 6 5 4 3 2 1



FRONT VIEW



BOTTOM VIEW

CUSTOMER APPROVAL:

X _____

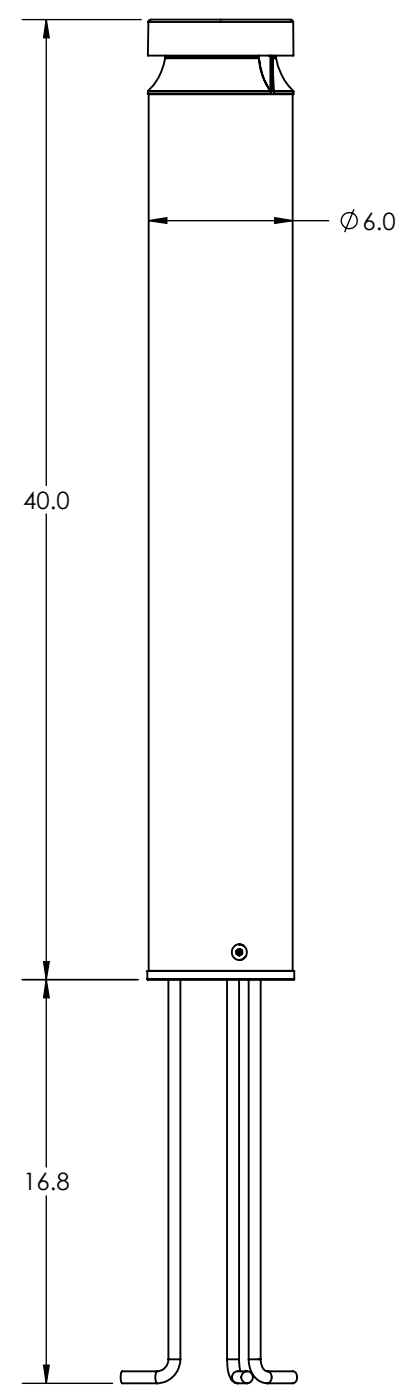
DATE:

X _____

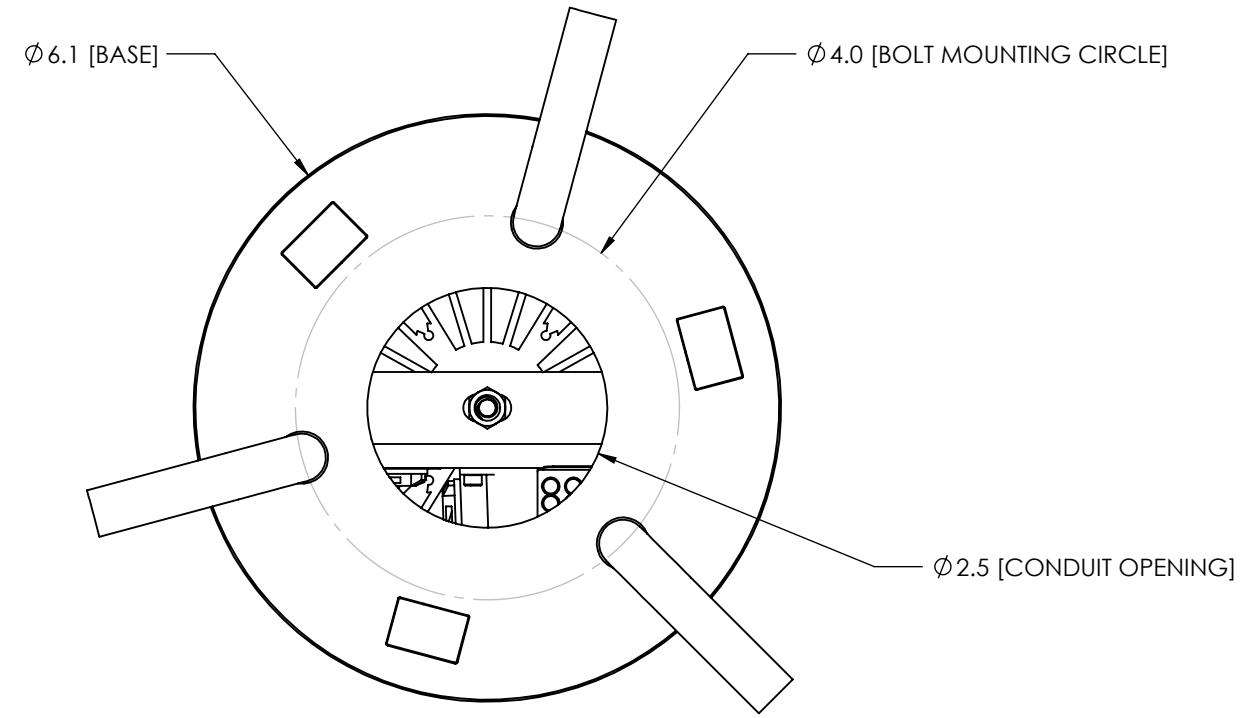
UNLESS OTHERWISE SPECIFIED: 1. PRIMARY DIM. ARE IN INCHES & SECONDARY [DIM] IN MM 2. TOLERANCES FRACTIONAL: ±1/32; ANGULAR/BEND: ±1° TWO PLACE DECIMAL ±.030 THREE PLACE DECIMAL ±.020 3. REMOVE ALL BURRS AND SHARP EDGES THIRD ANGLE PROJECTION		FORMS+SURFACES 30 Pine Street, Pittsburgh, PA 15223 Tel (412) 781-9003 Fax (412) 781-7840	
MATERIAL: SEE DATA SHEET FINISH: SEE DATA SHEET WEIGHT: SEE DATA SHEET SCALE: NOT TO SCALE		DESCRIPTION: HELIO BOLLARD SERIES 600, ILLUMINATED, SECURITY CORE LBHLO-603,360,SEC	
DO NOT SCALE DRAWING PROPRIETARY AND CONFIDENTIAL THE INFORMATION CONTAINED IN THIS DRAWING IS THE SOLE PROPERTY OF FORMS + SURFACES. ANY REPRODUCTION IN PART OR AS A WHOLE WITHOUT WRITTEN PERMISSION IS PROHIBITED.		NAME DWN CHK	DATE RTS 09/23/19
SIZE B	DWG. NO. LBHLO-603-360-SEC-CS	REV 0	SHEET 1 OF 1

8 7 6 5 4 3 2 1

D
C
B
A



FRONT VIEW



BOTTOM VIEW

CUSTOMER APPROVAL:

X _____

DATE:

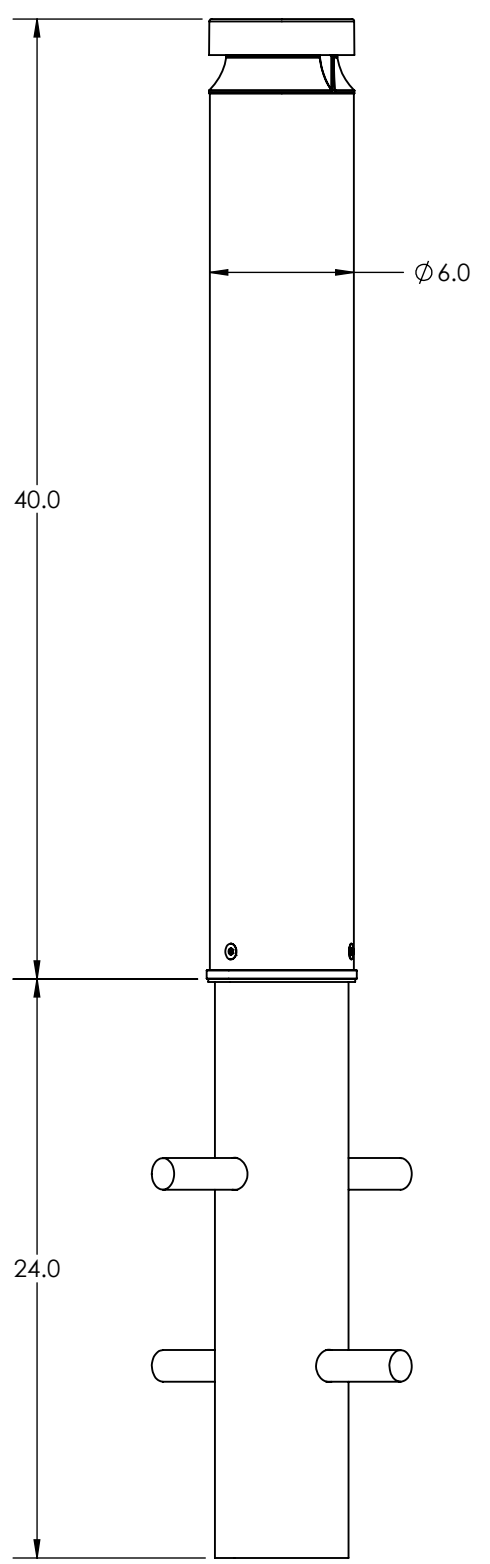
X _____

UNLESS OTHERWISE SPECIFIED: 1. PRIMARY DIM. ARE IN INCHES & SECONDARY [DIM] IN MM 2. TOLERANCES FRACTIONAL: ±1/32; ANGULAR/BEND: ±1° TWO PLACE DECIMAL ±.030 THREE PLACE DECIMAL ±.020 3. REMOVE ALL BURRS AND SHARP EDGES THIRD ANGLE PROJECTION		FORMS+SURFACES 30 Pine Street, Pittsburgh, PA 15223 Tel (412) 781-9003 Fax (412) 781-7840	
MATERIAL: SEE DATA SHEET FINISH: SEE DATA SHEET WEIGHT: SEE DATA SHEET SCALE: NOT TO SCALE		DESCRIPTION: HELIO BOLLARD SERIES 600, ILLUMINATED, 180, SFM LBHLO-603, 180	
DO NOT SCALE DRAWING PROPRIETARY AND CONFIDENTIAL THE INFORMATION CONTAINED IN THIS DRAWING IS THE SOLE PROPERTY OF FORMS + SURFACES. ANY REPRODUCTION IN PART OR AS A WHOLE WITHOUT WRITTEN PERMISSION IS PROHIBITED.		SIZE B	DWG. NO. LBHLO-603-180-CS
		REV 0	SHEET 1 OF 1

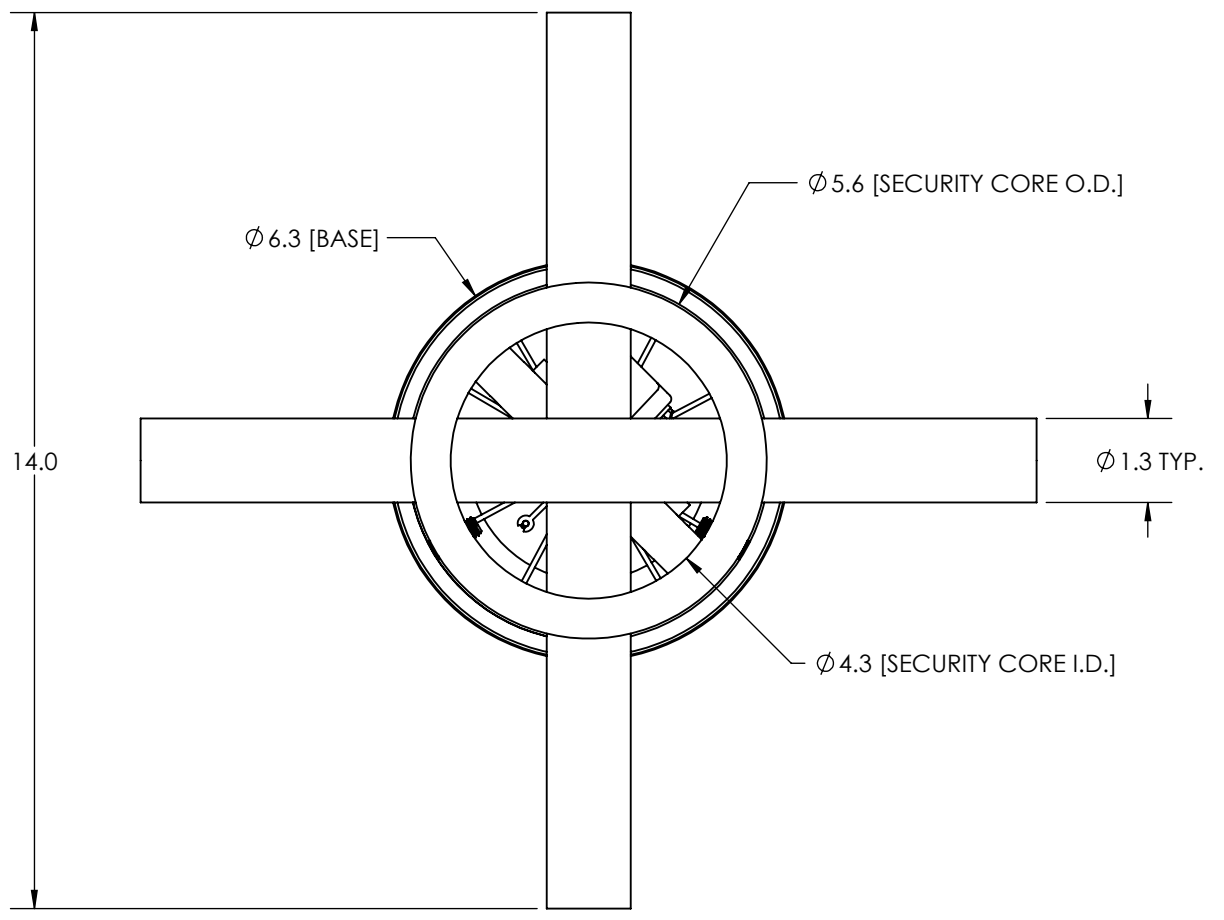
8 7 6 5 4 3 2 1

8 7 6 5 4 3 2 1

D
C
B
A



FRONT VIEW



BOTTOM VIEW

CUSTOMER APPROVAL:

X _____

DATE:

X _____

UNLESS OTHERWISE SPECIFIED: 1. PRIMARY DIM. ARE IN INCHES & SECONDARY [DIM] IN MM 2. TOLERANCES FRACTIONAL: ±1/32; ANGULAR/BEND: ±1° TWO PLACE DECIMAL ±.030 THREE PLACE DECIMAL ±.020 3. REMOVE ALL BURRS AND SHARP EDGES THIRD ANGLE PROJECTION		FORMS+SURFACES 30 Pine Street, Pittsburgh, PA 15223 Tel (412) 781-9003 Fax (412) 781-7840	
MATERIAL: SEE DATA SHEET FINISH: SEE DATA SHEET WEIGHT: SEE DATA SHEET SCALE: NOT TO SCALE		NAME DWN DATE RTS 09/23/19 CHK	DESCRIPTION: HELIO BOLLARD SERIES 600, ILLUMINATED, 180, SECURITY LBHLO-603, 180, SEC
DO NOT SCALE DRAWING PROPRIETARY AND CONFIDENTIAL THE INFORMATION CONTAINED IN THIS DRAWING IS THE SOLE PROPERTY OF FORMS + SURFACES. ANY REPRODUCTION IN PART OR AS A WHOLE WITHOUT WRITTEN PERMISSION IS PROHIBITED.		SIZE B	DWG. NO. LBHLO-603-180-SEC-CS REV 0 SHEET 1 OF 1

8 7 6 5 4 3 2 1