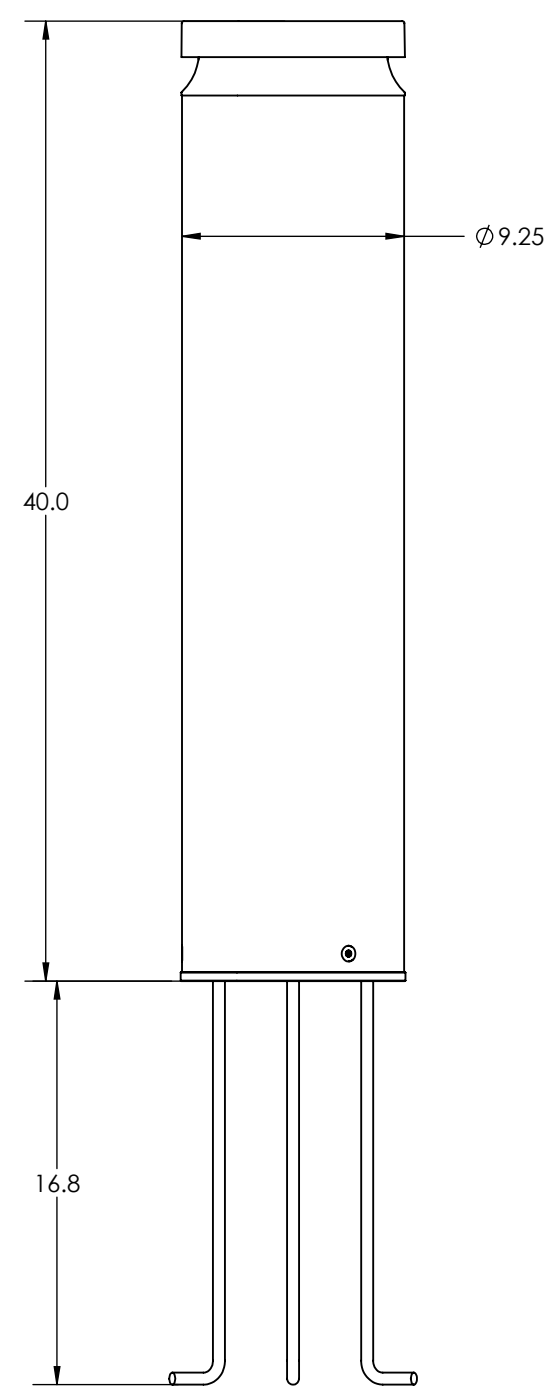
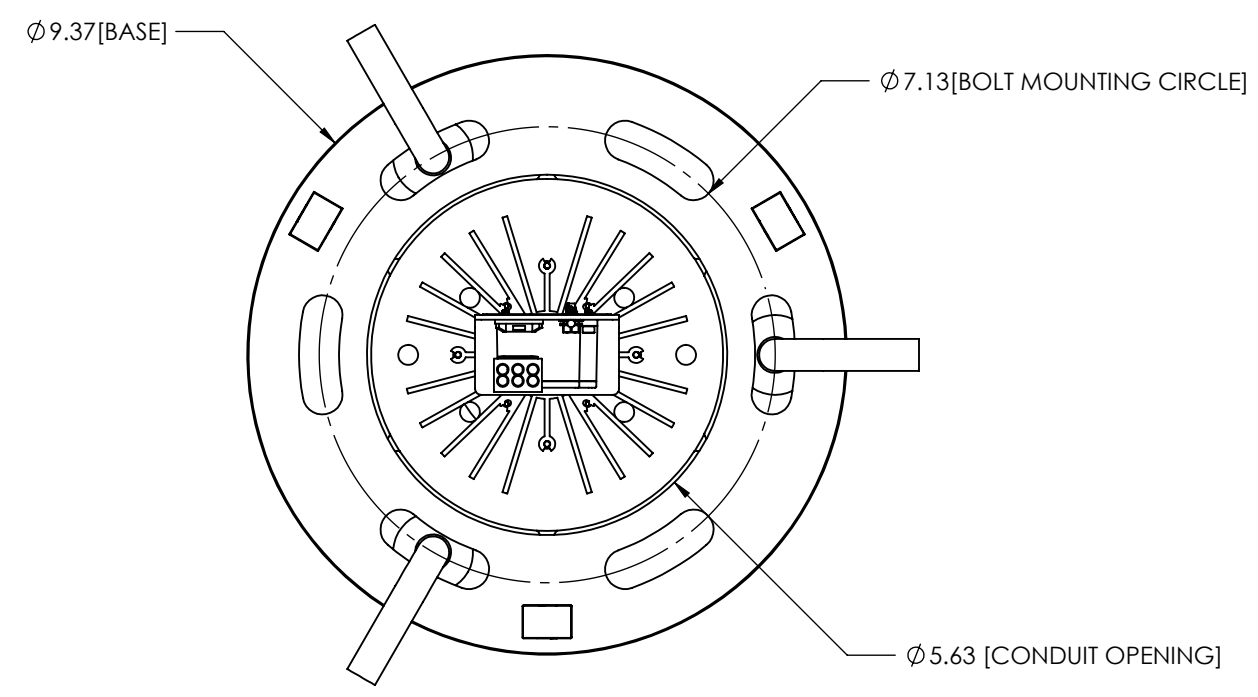


8 7 6 5 4 3 2 1

D
C
B
A



FRONT VIEW



BOTTOM VIEW

CUSTOMER APPROVAL:

X _____

DATE:

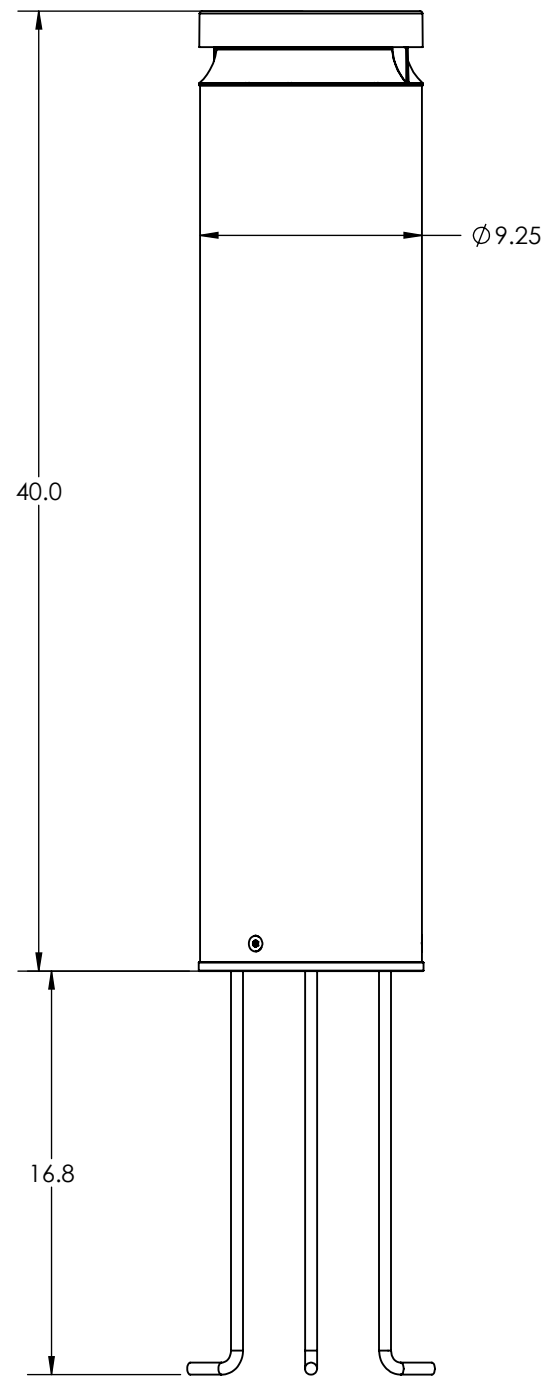
X _____

| | | | |
|---|---------|--|----------------------|
| UNLESS OTHERWISE SPECIFIED: 1. PRIMARY DIM. ARE IN INCHES & SECONDARY [DIM] IN MM 2. TOLERANCES FRACTIONAL: ±1/32; ANGULAR/BEND: ±1° TWO PLACE DECIMAL ±.030 THREE PLACE DECIMAL ±.020 3. REMOVE ALL BURRS AND SHARP EDGES THIRD ANGLE PROJECTION | | FORMS+SURFACES 30 Pine Street, Pittsburgh, PA 15223 Tel (412) 781-9003 Fax (412) 781-7840 | |
| NAME | DATE | DESCRIPTION: | |
| DWN | STF | HELIO BOLLARD | |
| CHK | 2/27/20 | LBHLO-903,360,SFM | |
| MATERIAL: SEE DATA SHEET | | DO NOT SCALE DRAWING | |
| FINISH: SEE DATA SHEET | | PROPRIETARY AND CONFIDENTIAL | |
| WEIGHT: SEE DATA SHEET | | THE INFORMATION CONTAINED IN THIS DRAWING IS THE SOLE PROPERTY OF FORMS + SURFACES. ANY REPRODUCTION IN PART OR AS A WHOLE WITHOUT WRITTEN PERMISSION IS PROHIBITED. | |
| SCALE: NOT TO SCALE | | SIZE | DWG. NO. |
| | | B | LBHLO-903-360-SFM-CS |
| | | REV | SHEET |
| | | 0 | 1 OF 1 |

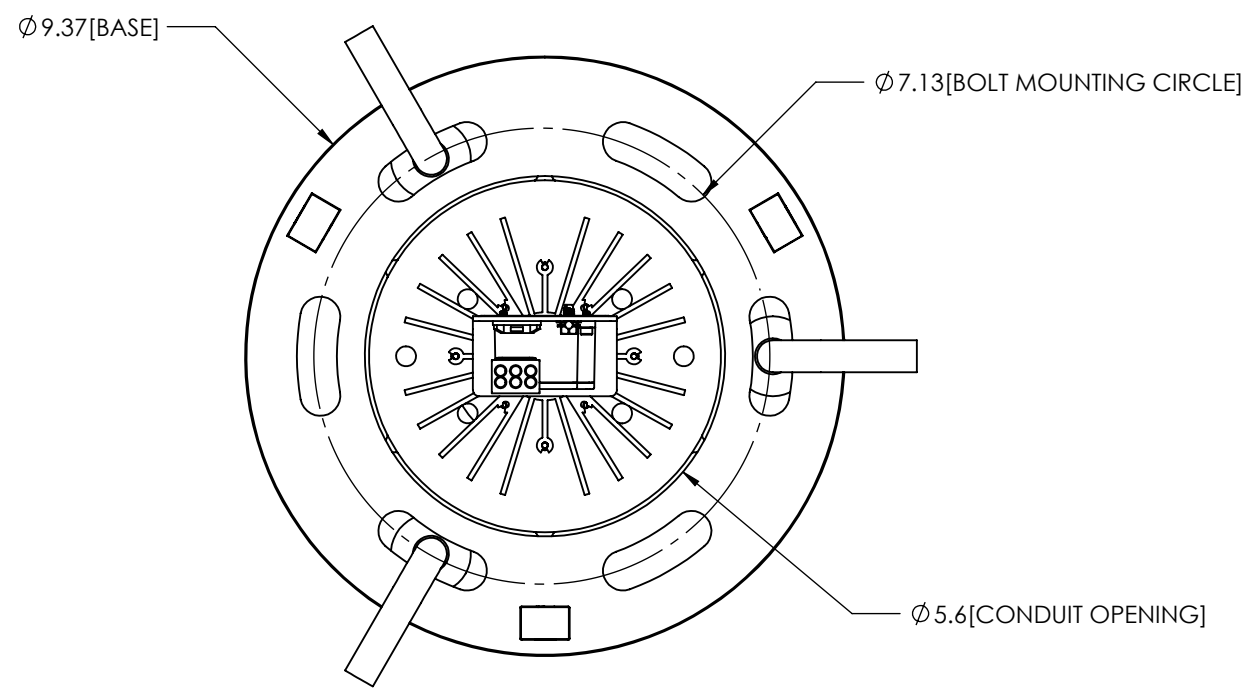
8 7 6 5 4 3 2 1

8 7 6 5 4 3 2 1

D
C
B
A



FRONT VIEW



BOTTOM VIEW

CUSTOMER APPROVAL:

X _____

DATE:

X _____

UNLESS OTHERWISE SPECIFIED:
 1. PRIMARY DIM. ARE IN INCHES & SECONDARY [DIM] IN MM
 2. TOLERANCES
 FRACTIONAL: ±1/32; ANGULAR/BEND: ±1°
 TWO PLACE DECIMAL ±.030
 THREE PLACE DECIMAL ±.020
 3. REMOVE ALL BURRS AND SHARP EDGES
 THIRD ANGLE PROJECTION
 MATERIAL: SEE DATA SHEET
 FINISH: SEE DATA SHEET
 WEIGHT: SEE DATA SHEET
 SCALE: NOT TO SCALE

FORMS+SURFACES 30 Pine Street, Pittsburgh, PA 15223
 Tel (412) 781-9003 Fax (412) 781-7840

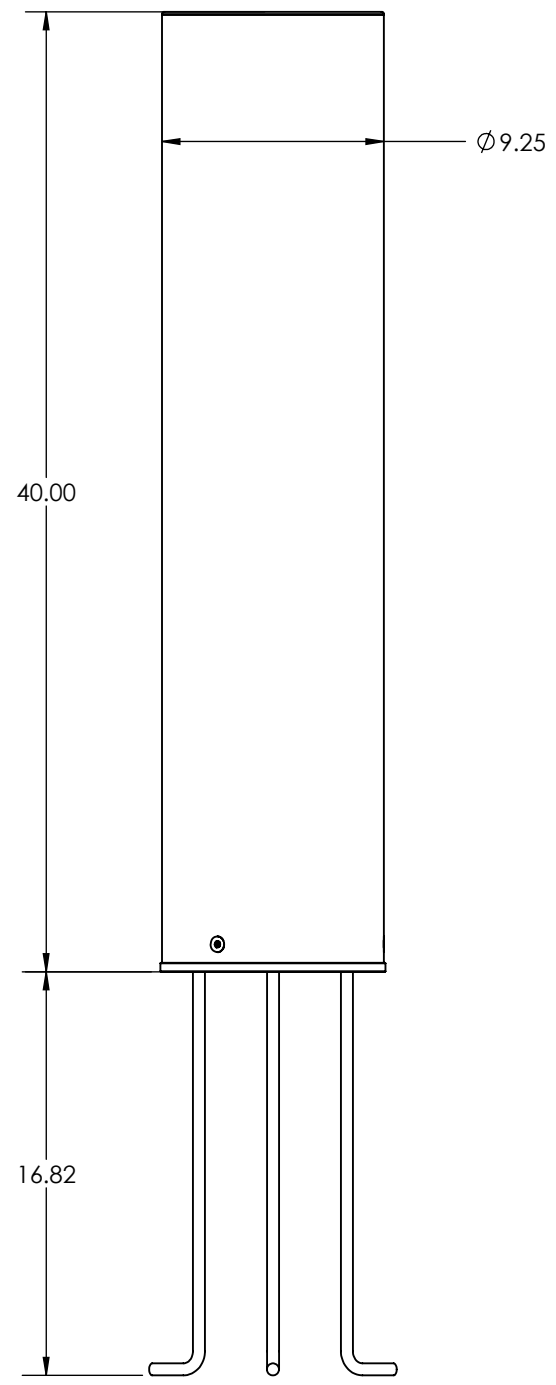
| NAME | DATE |
|------|---------|
| DWN | 2/27/20 |
| STF | |
| CHK | |

| DESCRIPTION: | | | |
|--------------------------|----------------------|-----|--------|
| HELIO BOLLARD | | | |
| LBHLO-903,180,SFM | | | |
| SIZE | DWG. NO. | REV | SHEET |
| B | LBHLO-903-180-SFM-CS | 0 | 1 OF 1 |

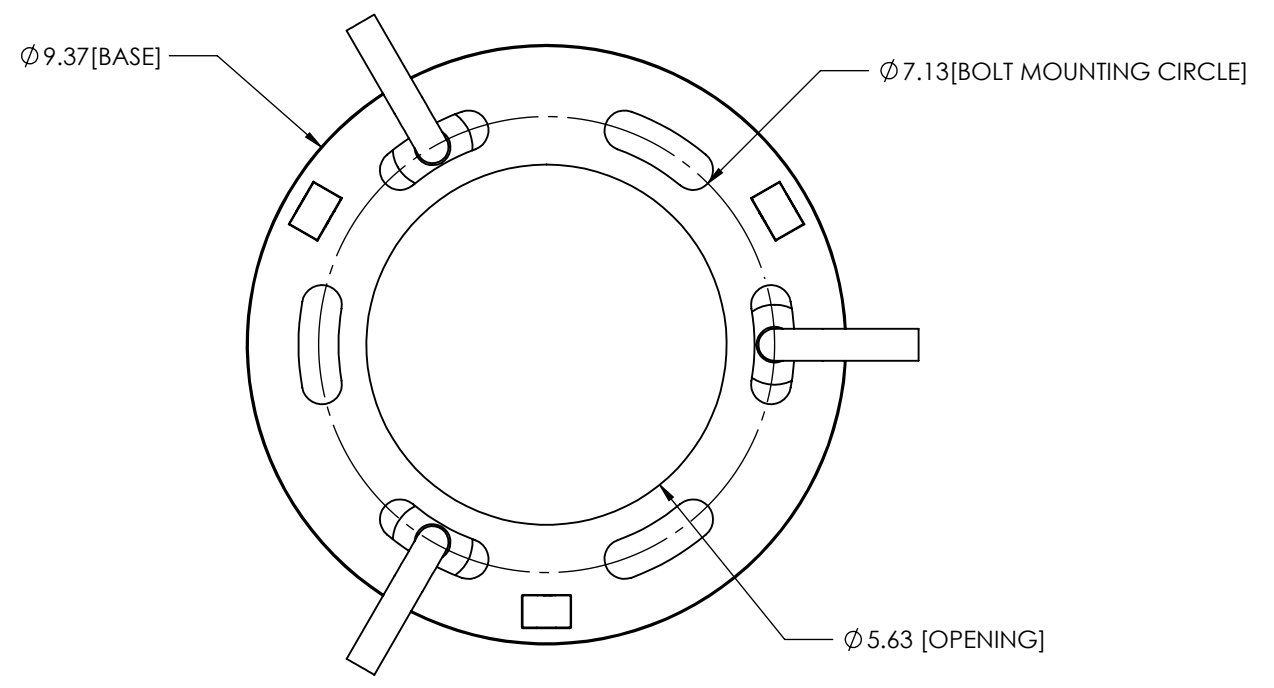
8 7 6 5 4 3 2 1

8 7 6 5 4 3 2 1

D
C
B
A



FRONT VIEW



BOTTOM VIEW

CUSTOMER APPROVAL:

X _____

DATE:

X _____

| | | | |
|---|---------------------|---|-----------------------|
| UNLESS OTHERWISE SPECIFIED: 1. PRIMARY DIM. ARE IN INCHES & SECONDARY [DIM] IN MM 2. TOLERANCES FRACTIONAL: ±1/32; ANGULAR/BEND: ±1° TWO PLACE DECIMAL ±.030 THREE PLACE DECIMAL ±.020 3. REMOVE ALL BURRS AND SHARP EDGES THIRD ANGLE PROJECTION | | FORMS+SURFACES 30 Pine Street, Pittsburgh, PA 15223 Tel (412) 781-9003 Fax (412) 781-7840 | |
| NAME | DATE | DESCRIPTION: | |
| DWN | STF | 3/6/20 | |
| CHK | | | |
| MATERIAL: SEE DATA SHEET | | DO NOT SCALE DRAWING | |
| FINISH: SEE DATA SHEET | | PROPRIETARY AND CONFIDENTIAL THE INFORMATION CONTAINED IN THIS DRAWING IS THE SOLE PROPERTY OF FORMS + SURFACES. ANY REPRODUCTION IN PART OR AS A WHOLE WITHOUT WRITTEN PERMISSION IS PROHIBITED. | |
| WEIGHT: SEE DATA SHEET | SCALE: NOT TO SCALE | SIZE | DWG. NO. |
| | | B | LBHLO-903-NLIT-SFM-CS |
| | | REV | SHEET |
| | | 0 | 1 OF 1 |

8 7 6 5 4 3 2 1