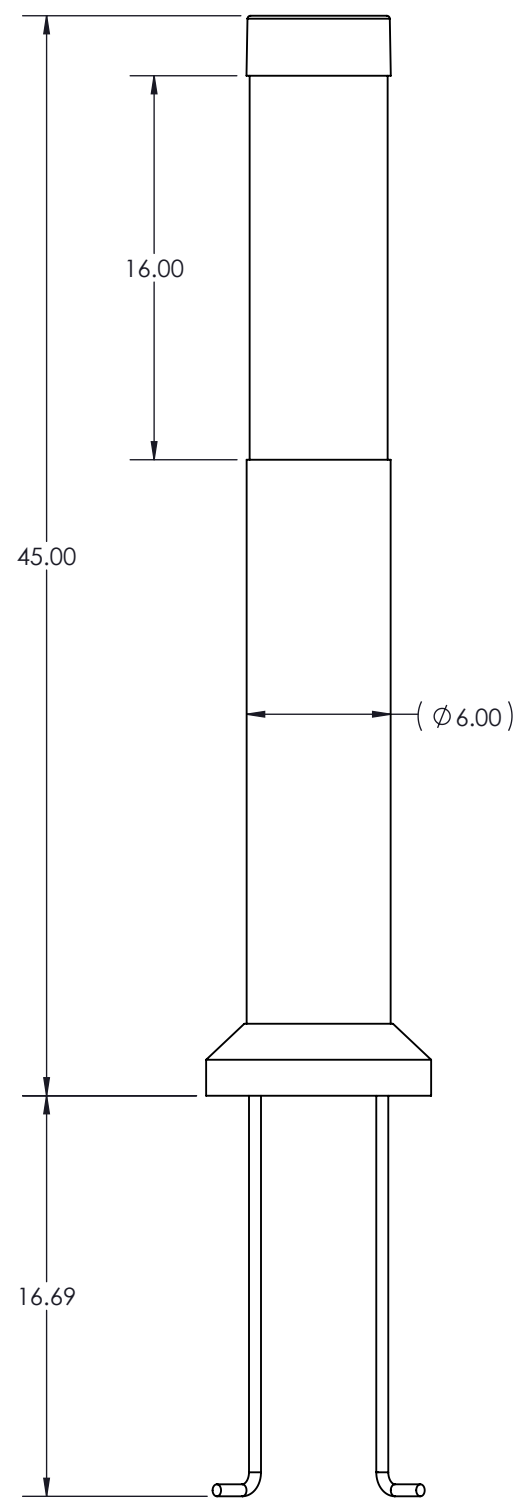
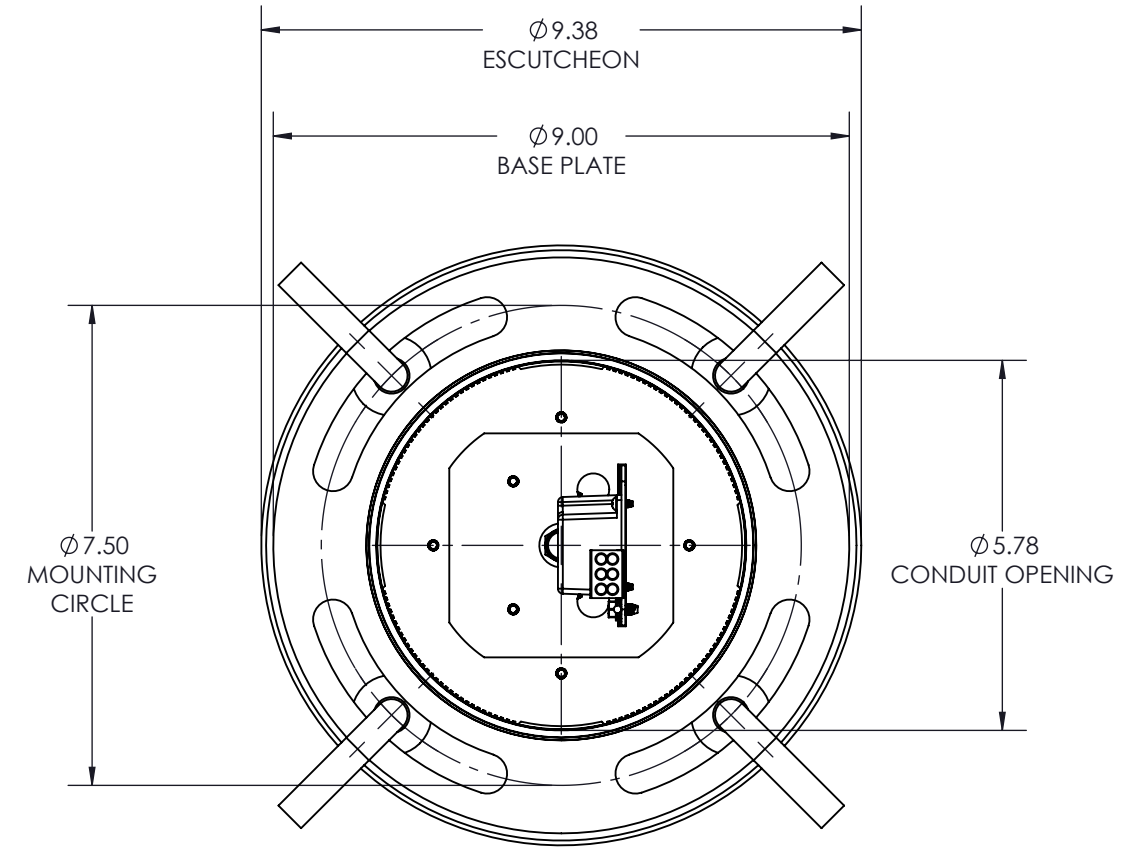


8 7 6 5 4 3 2 1

D
C
B
A



FRONT VIEW



ENLARGED
BOTTOM VIEW

CUSTOMER APPROVAL:

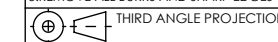
X _____

DATE:

X _____

UNLESS OTHERWISE SPECIFIED:

- 1. PRIMARY DIM. ARE IN INCHES & SECONDARY [DIM] IN MM
- 2. TOLERANCES
 FRACTIONAL: ±1/32; ANGULAR/BEND: ±1°
 TWO PLACE DECIMAL ±.030
 THREE PLACE DECIMAL ±.020
- 3. REMOVE ALL BURRS AND SHARP EDGES



MATERIAL: SEE DATA SHEET

FINISH: - SEE DATA SHEET

WEIGHT: - SEE DATA SHEET

SCALE: NOT TO SCALE



30 Pine Street, Pittsburgh, PA 15223
Tel (412) 781-9003 Fax (412) 385-4715

NAME	DATE
DWN ABM	04/21/2021
CHK MGJ	04/21/2021

DO NOT SCALE DRAWING

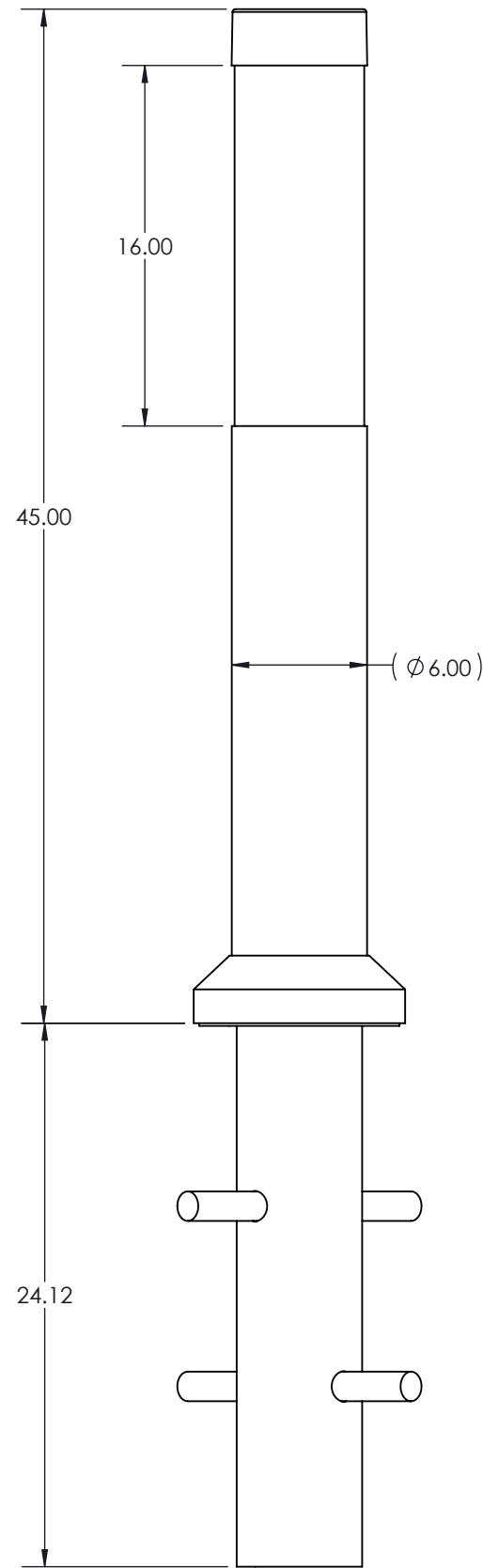
PROPRIETARY AND CONFIDENTIAL
 THE INFORMATION CONTAINED IN THIS DRAWING IS THE SOLE PROPERTY OF FORMS + SURFACES. ANY REPRODUCTION IN PART OR AS A WHOLE WITHOUT WRITTEN PERMISSION IS PROHIBITED.

DESCRIPTION:			
LIGHT COLUMN BOLLARD			
SERIES 600, LED, SURFACE MOUNT			
LBLCB-604,SAT,3K,SFM			
SIZE	DWG. NO.	REV	SHEET
B	LBLCB-604-SFM-CS	0	1 OF 1

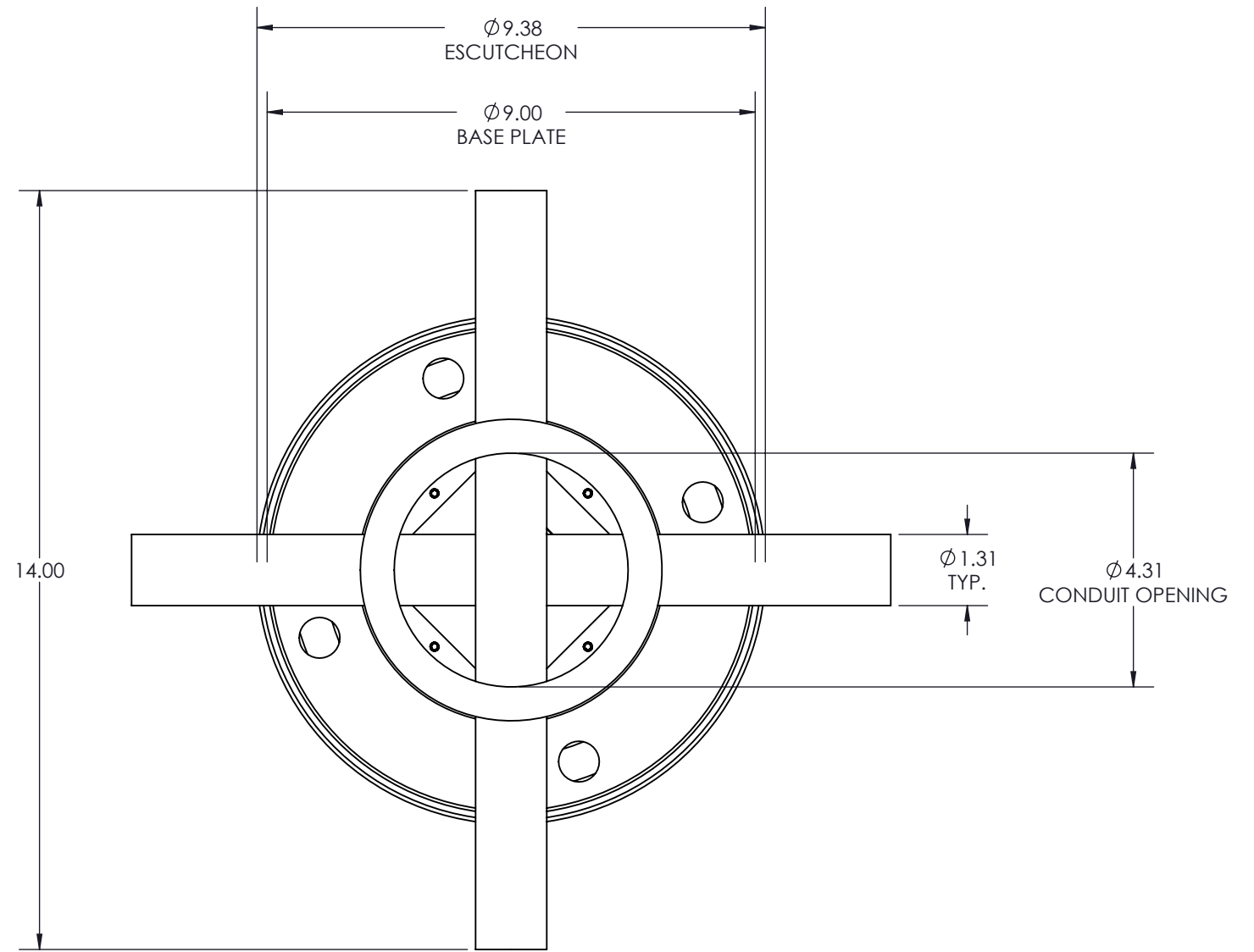
8 7 6 5 4 3 2 1

8 7 6 5 4 3 2 1

D
C
B
A



FRONT VIEW



ENLARGED
BOTTOM VIEW

CUSTOMER APPROVAL:

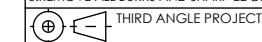
X _____

DATE:

X _____

UNLESS OTHERWISE SPECIFIED:

- 1. PRIMARY DIM. ARE IN INCHES & SECONDARY [DIM] IN MM
- 2. TOLERANCES
 FRACTIONAL: ±1/32; ANGULAR/BEND: ±1°
 TWO PLACE DECIMAL ±.030
 THREE PLACE DECIMAL ±.020
 3. REMOVE ALL BURRS AND SHARP EDGES



MATERIAL: SEE DATA SHEET

FINISH: - SEE DATA SHEET

WEIGHT: - SEE DATA SHEET

SCALE: NOT TO SCALE



30 Pine Street, Pittsburgh, PA 15223
Tel (412) 781-9003 Fax (412) 385-4715

NAME	DATE
DWN ABM	04/21/2021
CHK MGJ	04/21/2021

DO NOT SCALE DRAWING

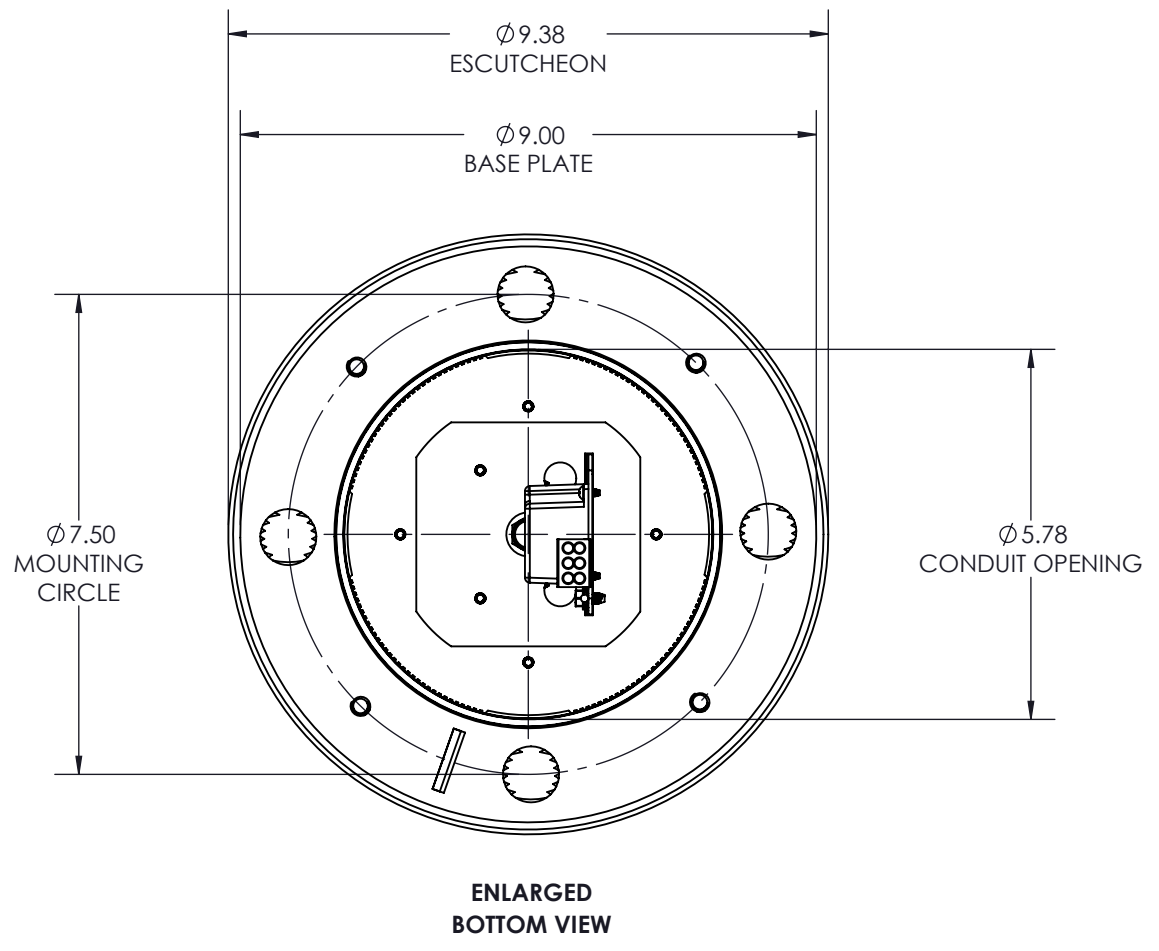
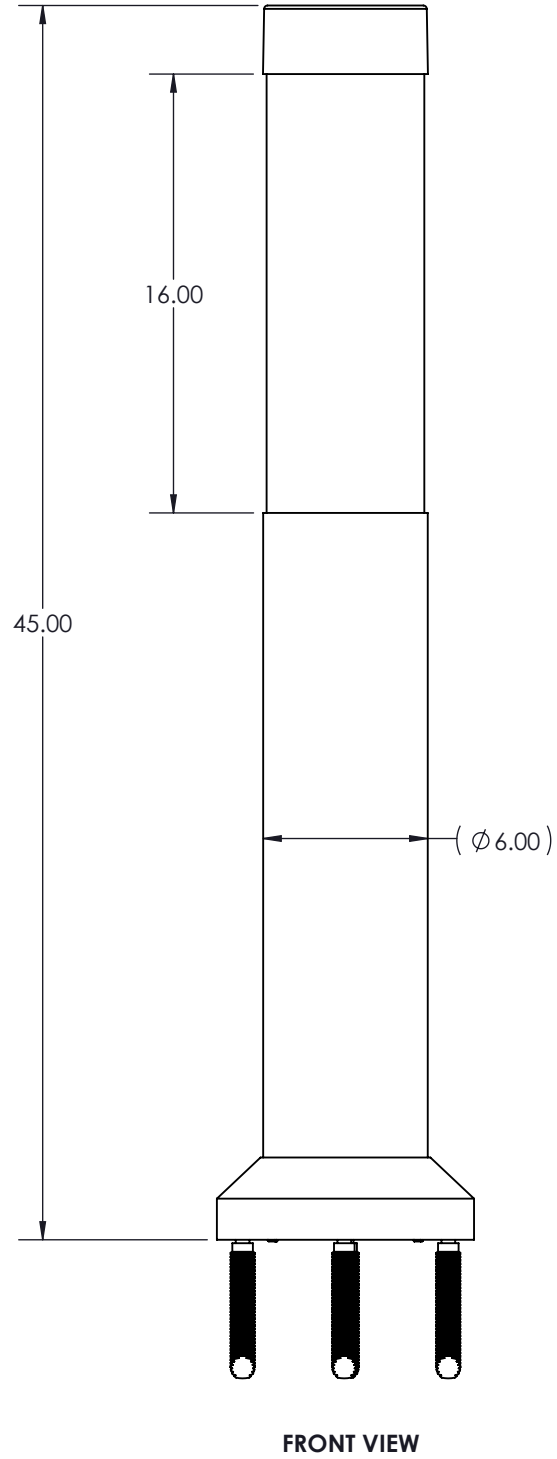
PROPRIETARY AND CONFIDENTIAL
 THE INFORMATION CONTAINED IN THIS DRAWING IS THE SOLE PROPERTY OF FORMS + SURFACES. ANY REPRODUCTION IN PART OR AS A WHOLE WITHOUT WRITTEN PERMISSION IS PROHIBITED.

DESCRIPTION:			
LIGHT COLUMN BOLLARD			
SERIES 600, LED, SECURITY			
LBLCB-604,SAT,3K,SEC			
SIZE	DWG. NO.	REV	SHEET
B	LBLCB-604-SEC-CS	0	1 OF 1

8 7 6 5 4 3 2 1

8 7 6 5 4 3 2 1

D
C
B
A



CUSTOMER APPROVAL:

X _____

DATE:

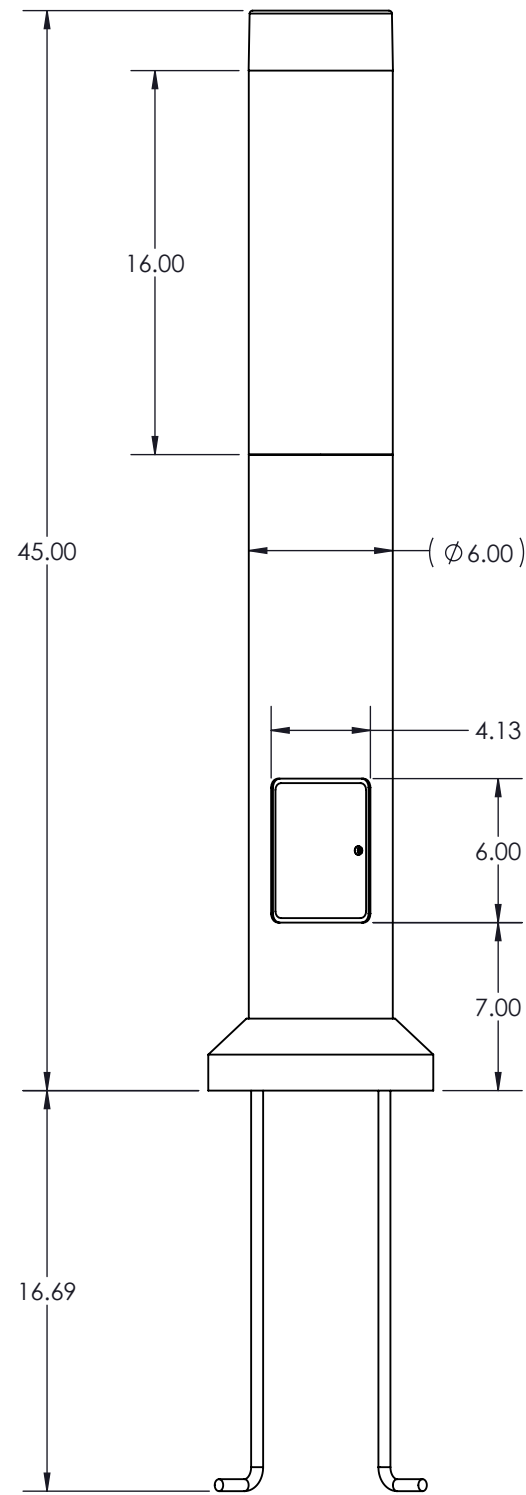
X _____

UNLESS OTHERWISE SPECIFIED: 1. PRIMARY DIM. ARE IN INCHES & SECONDARY [DIM] IN MM 2. TOLERANCES FRACTIONAL: ±1/32; ANGULAR/BEND: ±1° TWO PLACE DECIMAL ±.030 THREE PLACE DECIMAL ±.020 3. REMOVE ALL BURRS AND SHARP EDGES THIRD ANGLE PROJECTION		FORMS+SURFACES <small>30 Pine Street, Pittsburgh, PA 15223 Tel (412) 781-9003 Fax (412) 385-4715</small>								
MATERIAL: SEE DATA SHEET FINISH: - SEE DATA SHEET WEIGHT: - SEE DATA SHEET SCALE: NOT TO SCALE		<table border="1"> <thead> <tr> <th>NAME</th> <th>DATE</th> </tr> </thead> <tbody> <tr> <td>DWN ABM</td> <td>04/21/2021</td> </tr> <tr> <td>CHK MGJ</td> <td>04/21/2021</td> </tr> </tbody> </table>	NAME	DATE	DWN ABM	04/21/2021	CHK MGJ	04/21/2021	DESCRIPTION: LIGHT COLUMN BOLLARD SERIES 600, LED, REMOVABLE LBLCB-604,SAT,3K,REM	
NAME	DATE									
DWN ABM	04/21/2021									
CHK MGJ	04/21/2021									
PROPRIETARY AND CONFIDENTIAL <small>THE INFORMATION CONTAINED IN THIS DRAWING IS THE SOLE PROPERTY OF FORMS + SURFACES. ANY REPRODUCTION IN PART OR AS A WHOLE WITHOUT WRITTEN PERMISSION IS PROHIBITED.</small>		<table border="1"> <thead> <tr> <th>SIZE</th> <th>DWG. NO.</th> <th>REV</th> <th>SHEET</th> </tr> </thead> <tbody> <tr> <td>B</td> <td>LBLCB-604-REM-CS</td> <td>0</td> <td>1 OF 1</td> </tr> </tbody> </table>	SIZE	DWG. NO.	REV	SHEET	B	LBLCB-604-REM-CS	0	1 OF 1
SIZE	DWG. NO.	REV	SHEET							
B	LBLCB-604-REM-CS	0	1 OF 1							

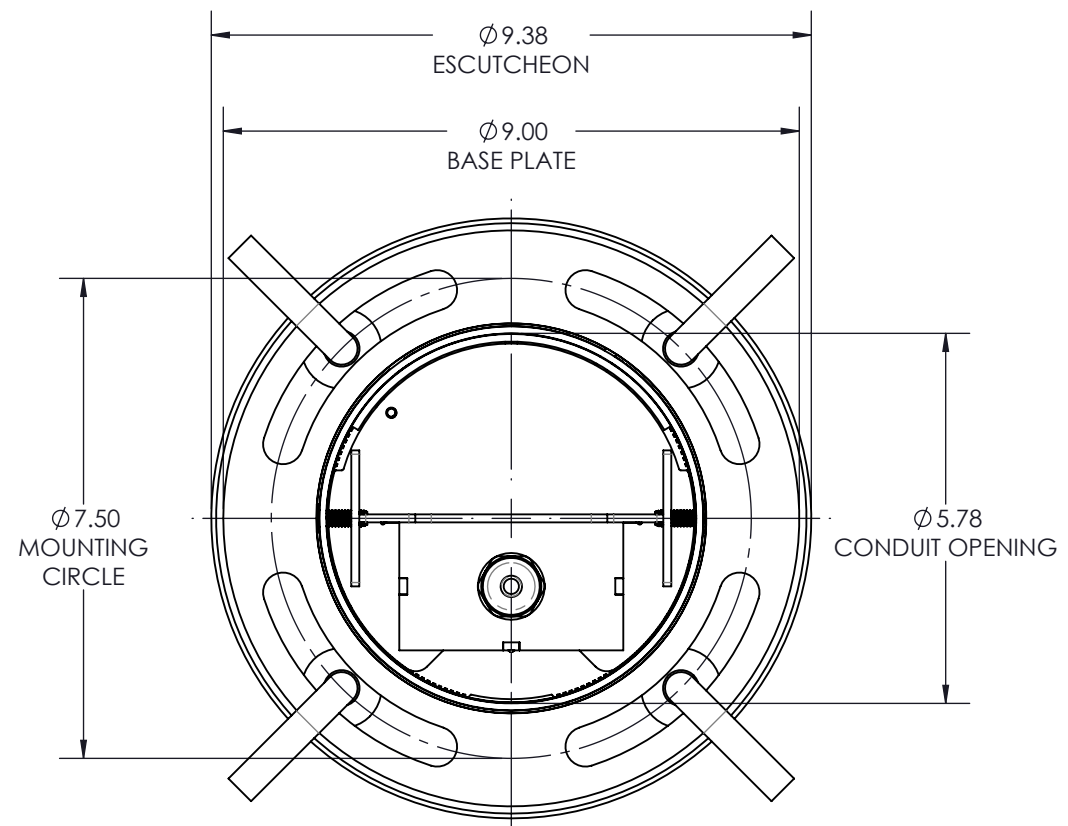
8 7 6 5 4 3 2 1

8 7 6 5 4 3 2 1

D
C
B
A



FRONT VIEW



ENLARGED
BOTTOM VIEW

CUSTOMER APPROVAL:

X _____

DATE:

X _____

UNLESS OTHERWISE SPECIFIED:

- 1. PRIMARY DIM. ARE IN INCHES & SECONDARY [DIM] IN MM
- 2. TOLERANCES
 FRACTIONAL: ±1/32; ANGULAR/BEND: ±1°
 TWO PLACE DECIMAL ±.030
 THREE PLACE DECIMAL ±.020
- 3. REMOVE ALL BURRS AND SHARP EDGES

THIRD ANGLE PROJECTION

MATERIAL: SEE DATA SHEET

FINISH: - SEE DATA SHEET

WEIGHT: - SEE DATA SHEET

SCALE: NOT TO SCALE



30 Pine Street, Pittsburgh, PA 15223
Tel (412) 781-9003 Fax (412) 385-4715

DESCRIPTION:
LIGHT COLUMN BOLLARD
SERIES 600, LED, SURFACE MOUNT
LBLCB-604,360,GFI,SFM

SIZE	DWG. NO.	REV	SHEET
B	LBLCB-604-GFCI-CS	0	1 OF 1

8 7 6 5 4 3 2 1