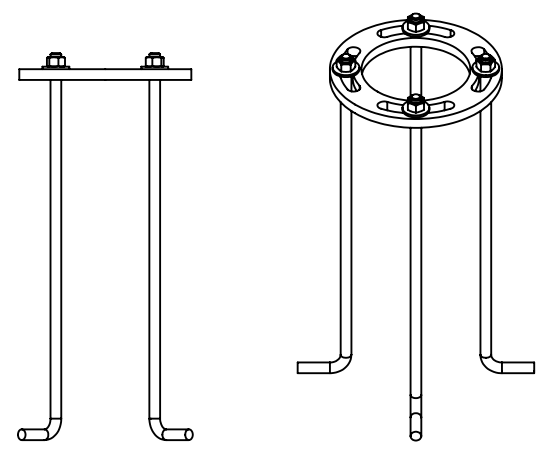
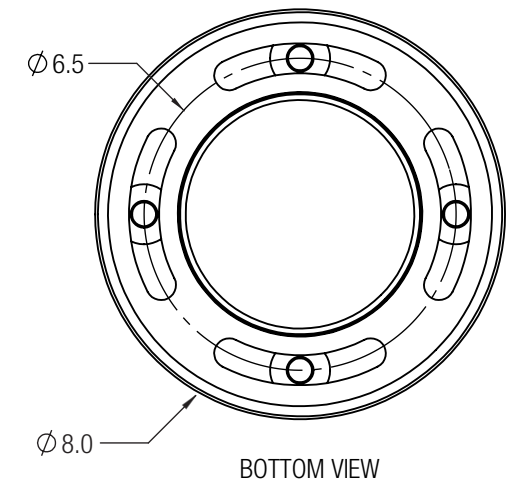
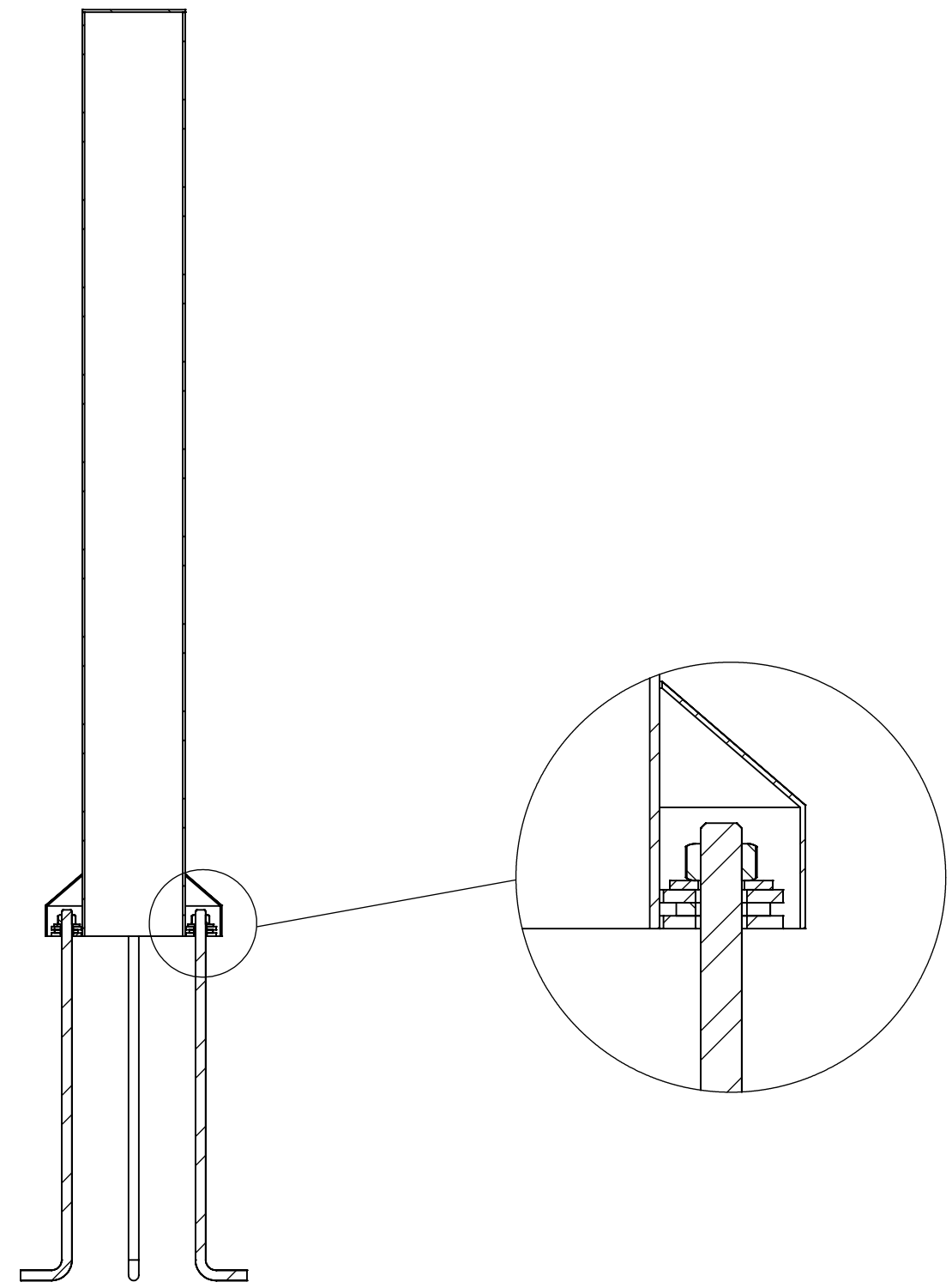
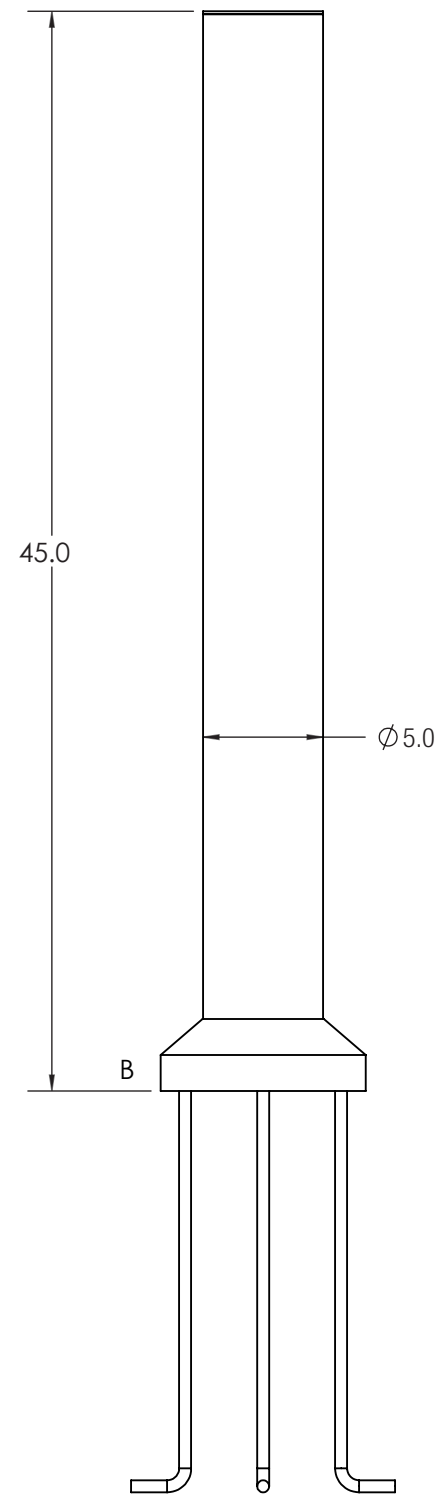


8 7 6 5 4 3 2 1

D
C
B
A

D
C
B
A



BASE PLATE & J-BOLT ANCHORS

CUSTOMER APPROVAL:

X _____

DATE:

X _____

UNLESS OTHERWISE SPECIFIED,
DIMENSIONS ARE IN INCHES
TOLERANCES (UNLESS OTHERWISE
SPECIFIED):
FRACTIONAL: ±1/32
ANGULAR/BEND: ±1°*
TWO PLACE DECIMAL ±.030
THREE PLACE DECIMAL ±.020
MATERIAL: SEE DATA SHEET
FINISH: SEE DATA SHEET
WEIGHT: 33 LBS.
SOURCE: MDW
SCALE: N.T.S.

FORMS+SURFACES® 30 Pine Street, Pittsburgh, PA 15223
Tel (412) 781-9003 Fax (412) 781-7840

NAME	DATE
DWN	7/25/2014
EMK	

**LIGHT COLUMN BOLLARD,
SERIES 500, NON-ILLUMINATED,
LBLCO-504-N**

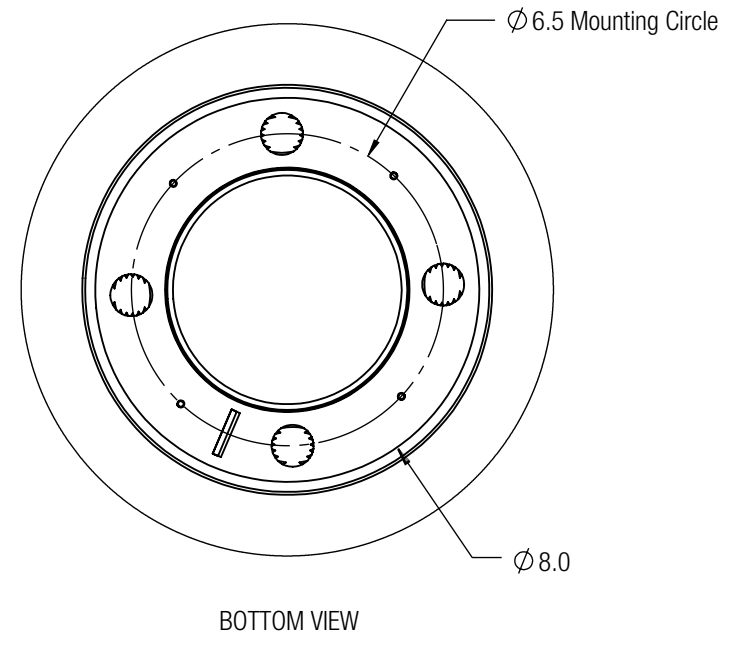
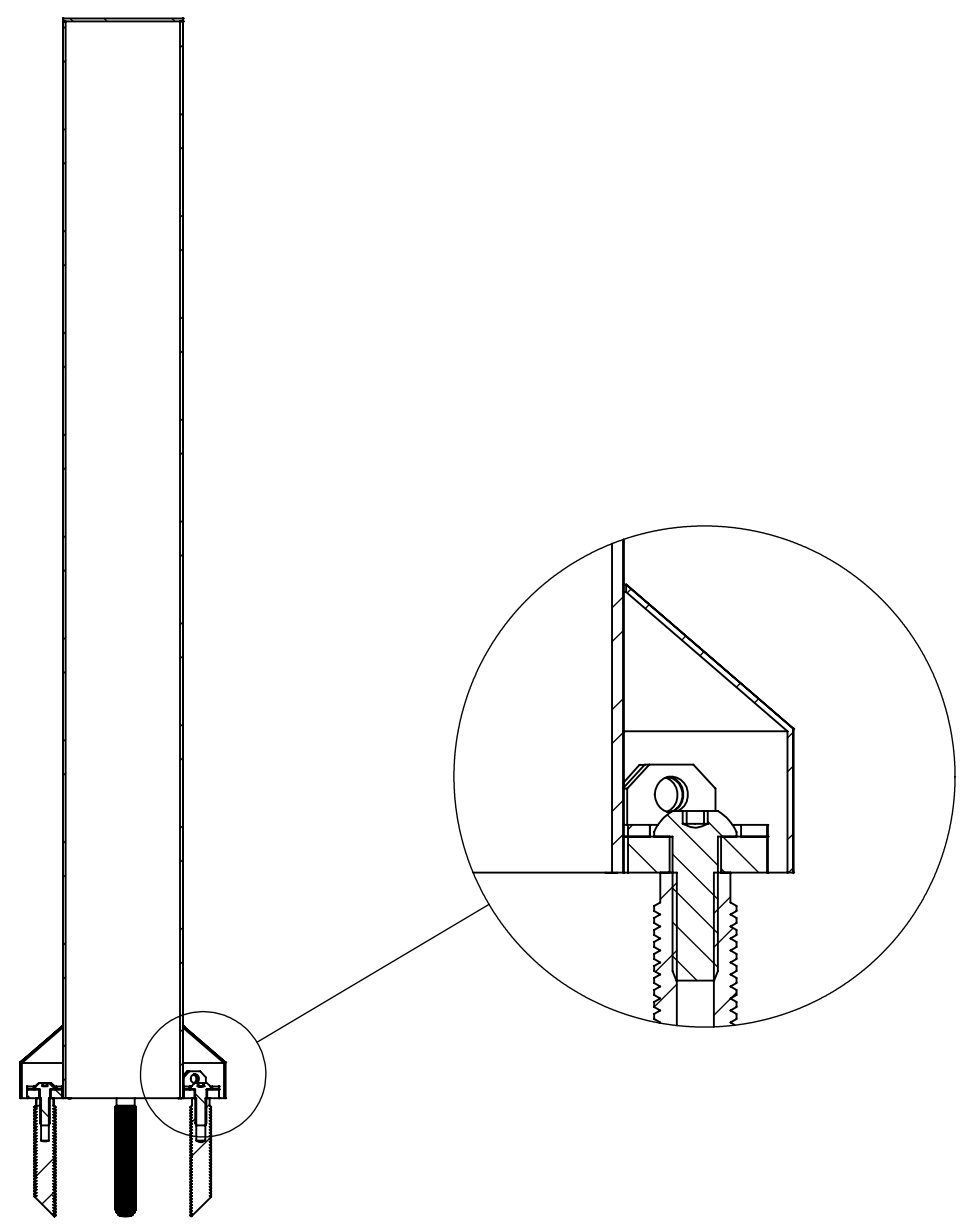
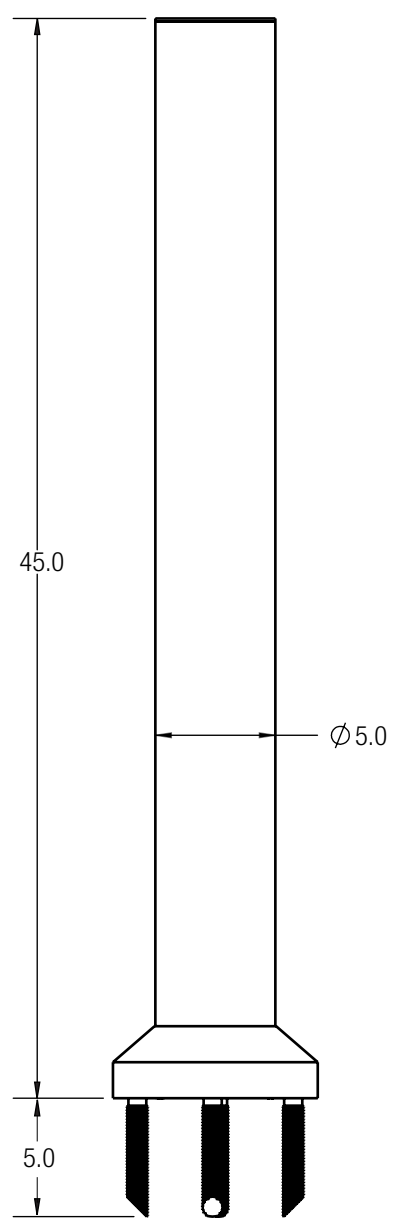
SIZE	DWG. NO.	REV	SHEET
B	LBLCO-504-N	0	1 OF 1

8 7 6 5 4 3 2 1

PRINTED: 9/17/2013

8 7 6 5 4 3 2 1

D
C
B
A



D
C
B
A

CUSTOMER APPROVAL:

X _____

DATE:

X _____

UNLESS OTHERWISE SPECIFIED, DIMENSIONS ARE IN INCHES		FORMS+SURFACES ® 30 Pine Street, Pittsburgh, PA 15223 Tel (412) 781-9003 Fax (412) 781-7840	
TOLERANCES (UNLESS OTHERWISE SPECIFIED):		NAME	DATE
FRACTIONAL: ±1/32		DWN	EMK 7/25/2014
ANGULAR/BEND: ±1°		LIGHT COLUMN BOLLARD SERIES 500, NON-ILLUMINATED, REMOVABLE BASE LBLCO-504-NR	
TWO PLACE DECIMAL ±.030		SIZE DWG. NO. REV SHEET	
THREE PLACE DECIMAL ±.020		B LBLCO-504-NR 0 1 OF 1	
MATERIAL: SEE DATA SHEET	DO NOT SCALE DRAWING	THE INFORMATION CONTAINED IN THIS DRAWING IS THE SOLE PROPERTY OF FORMS + SURFACES. ANY REPRODUCTION IN PART OR AS A WHOLE WITHOUT WRITTEN PERMISSION IS PROHIBITED.	
FINISH: SEE DATA SHEET	PROPRIETARY AND CONFIDENTIAL	SCALE: N.T.S.	
WEIGHT: 32 LBS.			
SOURCE: MDW			

8 7 6 5 4 3 2 1

PRINTED: 9/17/2013