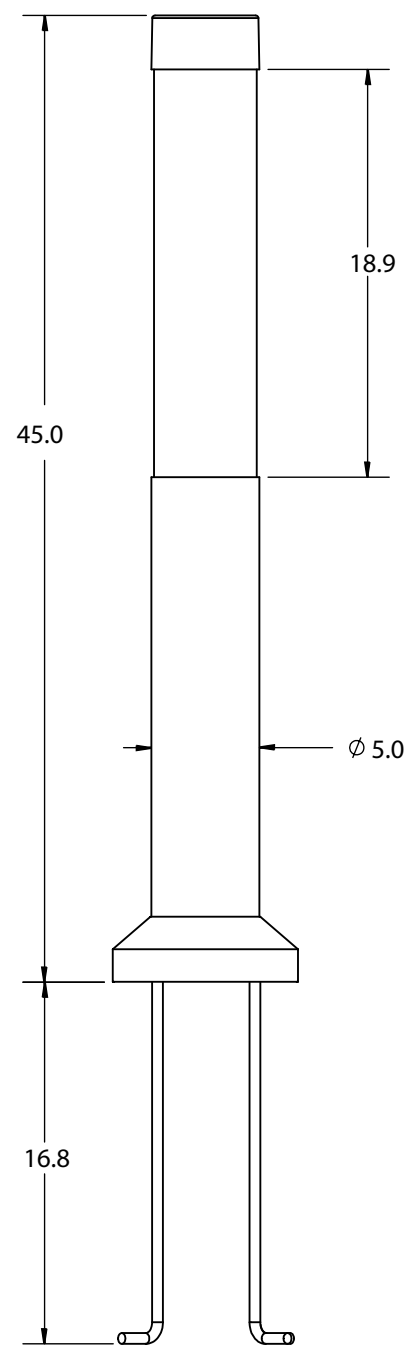
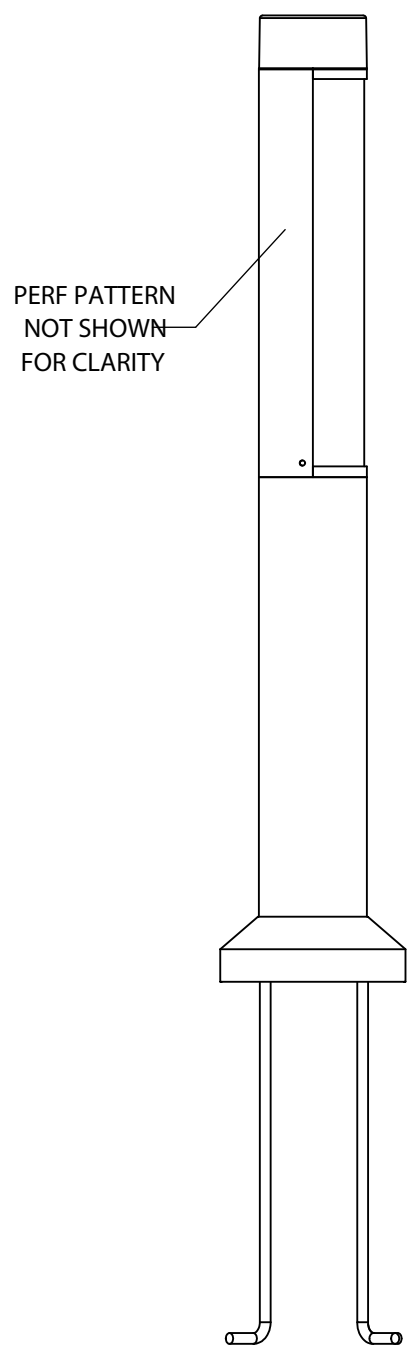


8 7 6 5 4 3 2 1

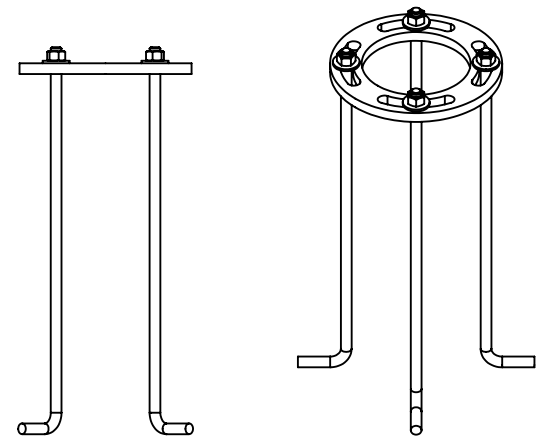
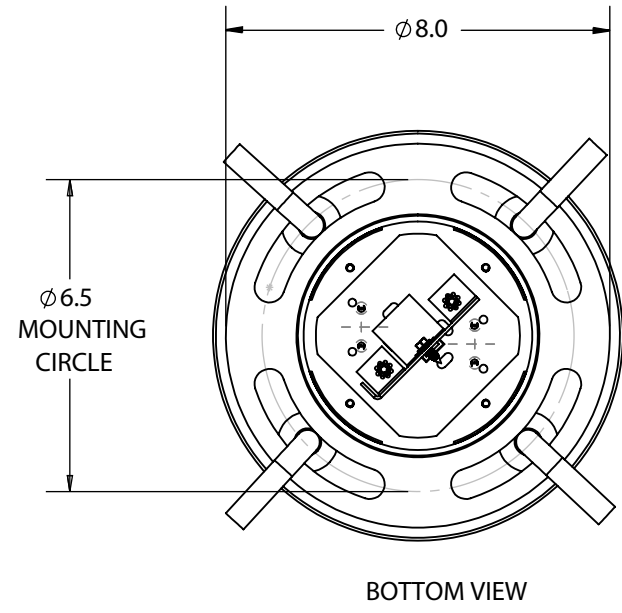
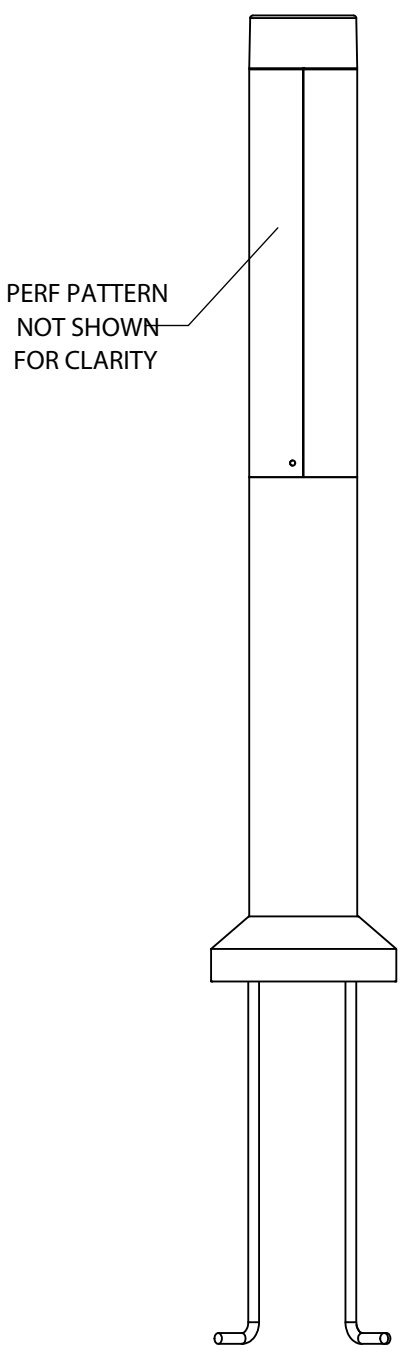
NO PERF SHIELD



180 DEGREE PERF SHIELD



360 DEGREE PERF SHIELD



BASE PLATE & J-BOLT ANCHORS

D
C
B
A

D
C
B
A

CUSTOMER APPROVAL:

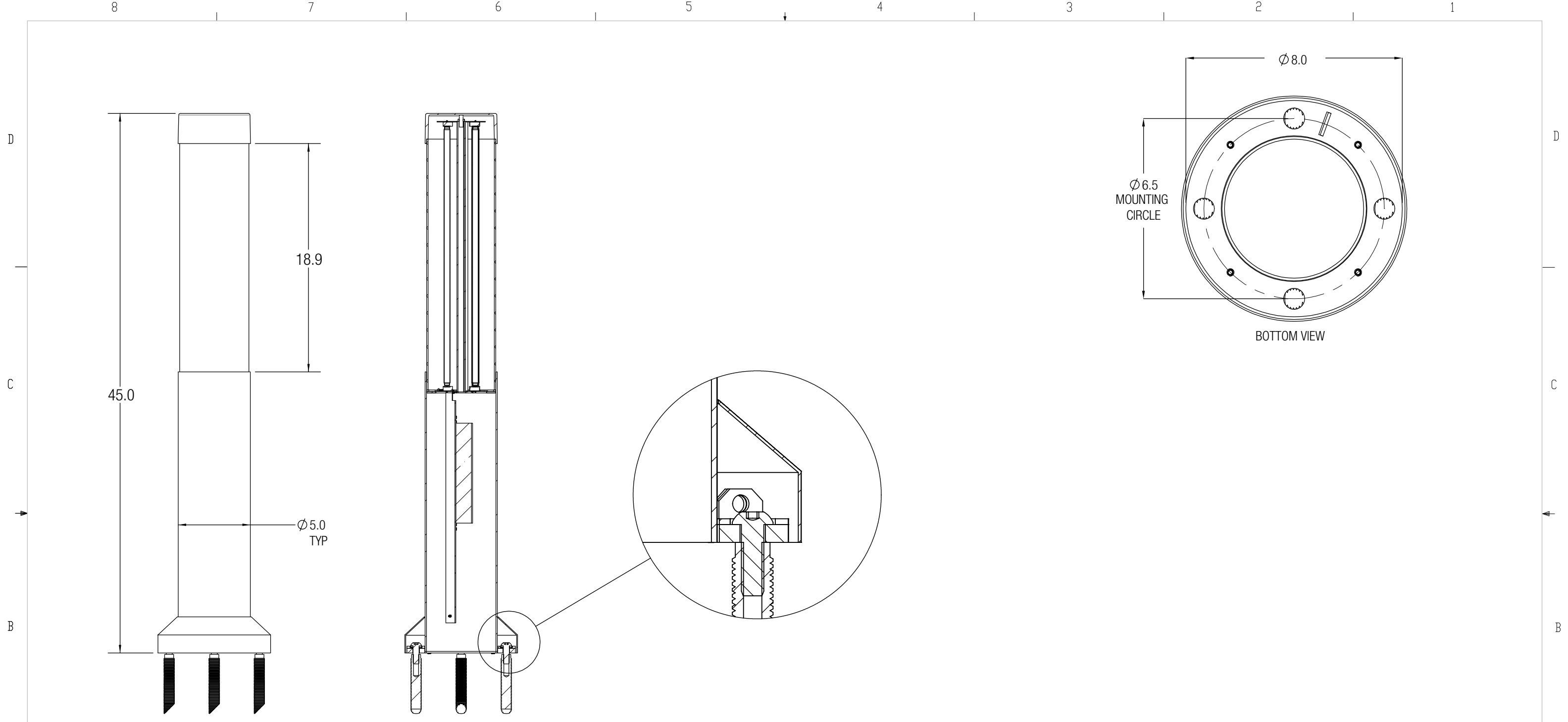
X _____

DATE:

X _____

UNLESS OTHERWISE SPECIFIED, DIMENSIONS ARE IN INCHES		FORMS+SURFACES ® 30 Pine Street, Pittsburgh, PA 15223 Tel (800) 451-0410 Fax (412) 781-7840	
TOLERANCES (UNLESS OTHERWISE SPECIFIED): FRACTIONAL: ±1/32 ANGULAR/BEND: ±1° TWO PLACE DECIMAL ±.030 THREE PLACE DECIMAL ±.020		DATE	LIGHT COLUMN BOLLARD, SERIES 500, ILLUMINATED LBLCO-504
MATERIAL: SEE DATA SHEET		07/25/2014	
FINISH: SEE DATA SHEET	DO NOT SCALE DRAWING		SIZE DWG. NO. REV SHEET B LBLCO-504 0 1 OF 1
WEIGHT: 30 LBS	PROPRIETARY AND CONFIDENTIAL		
SOURCE: MDW	THE INFORMATION CONTAINED IN THIS DRAWING IS THE SOLE PROPERTY OF FORMS + SURFACES. ANY REPRODUCTION IN PART OR AS A WHOLE WITHOUT WRITTEN PERMISSION IS PROHIBITED.		
SCALE: N.T.S.			

8 7 6 5 4 3 2 1



CUSTOMER APPROVAL:

X _____

DATE:

X _____

UNLESS OTHERWISE SPECIFIED,
DIMENSIONS ARE IN INCHES

TOLERANCES (UNLESS OTHERWISE SPECIFIED):
FRACTIONAL: $\pm 1/32$
ANGULAR/BEND: $\pm 1^\circ$
TWO PLACE DECIMAL $\pm .030$
THREE PLACE DECIMAL $\pm .020$

MATERIAL: SEE DATA SHEET

FINISH: SEE DATA SHEET

WEIGHT: 39.67 LBS.

SOURCE: M

SCALE: N.T.S.

FORMS+SURFACES® 30 Pine Street, Pittsburgh, PA 15223
Tel (412) 781-9003 Fax (412) 781-7840

NAME	DATE
DWN	EMK 2/27/2015

DO NOT SCALE DRAWING

PROPRIETARY AND CONFIDENTIAL
THE INFORMATION CONTAINED IN THIS DRAWING IS THE SOLE PROPERTY OF FORMS + SURFACES. ANY REPRODUCTION IN PART OR AS A WHOLE WITHOUT WRITTEN PERMISSION IS PROHIBITED.

LIGHT COLUMN BOLLARD
SERIES 500, ILLUMINATED
REMOVABLE BASE
LBLCO-504-R

SIZE	DWG. NO.	REV	SHEET
B	LBLCO-504-R	0	1 OF 1

PRINTED: 9/17/2013