

CUSTOMER APPROVAL:

X \_\_\_\_\_

DATE:

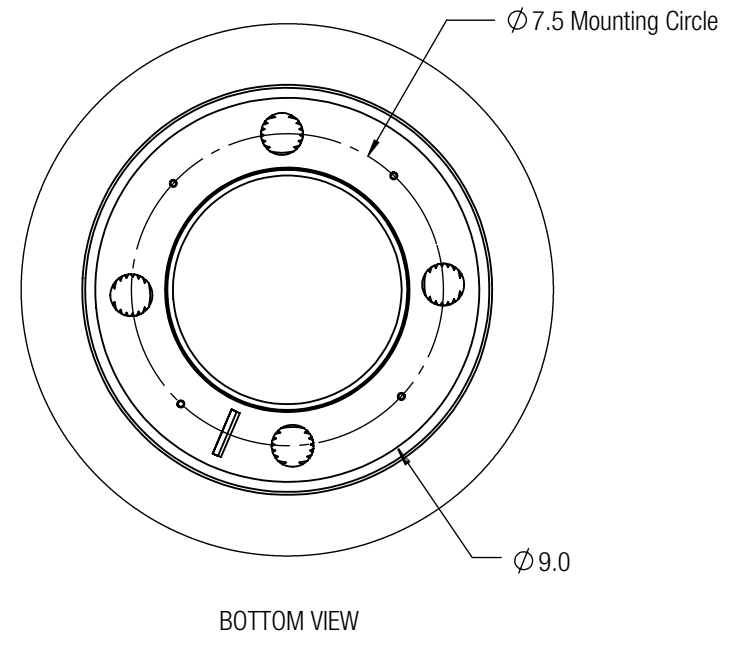
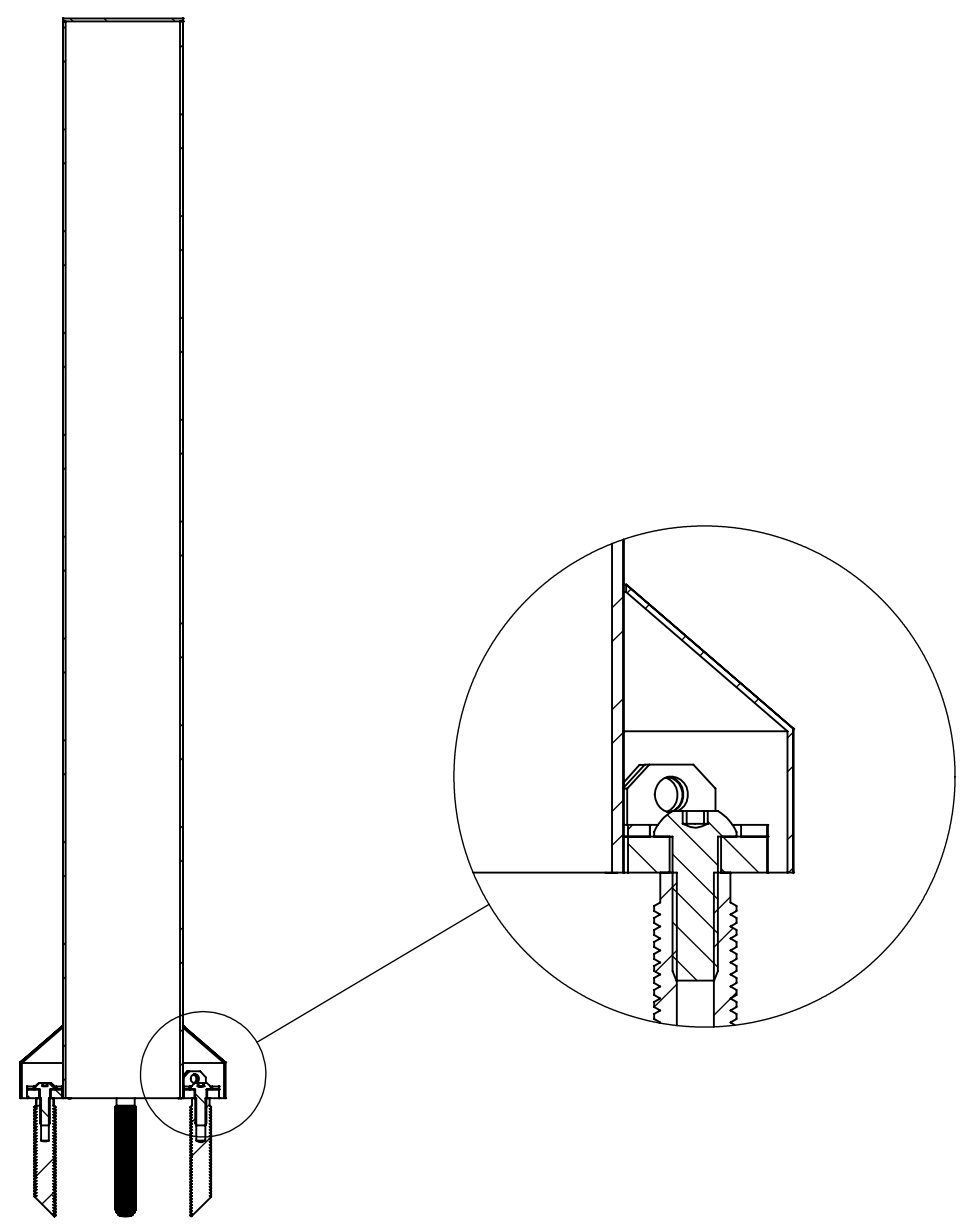
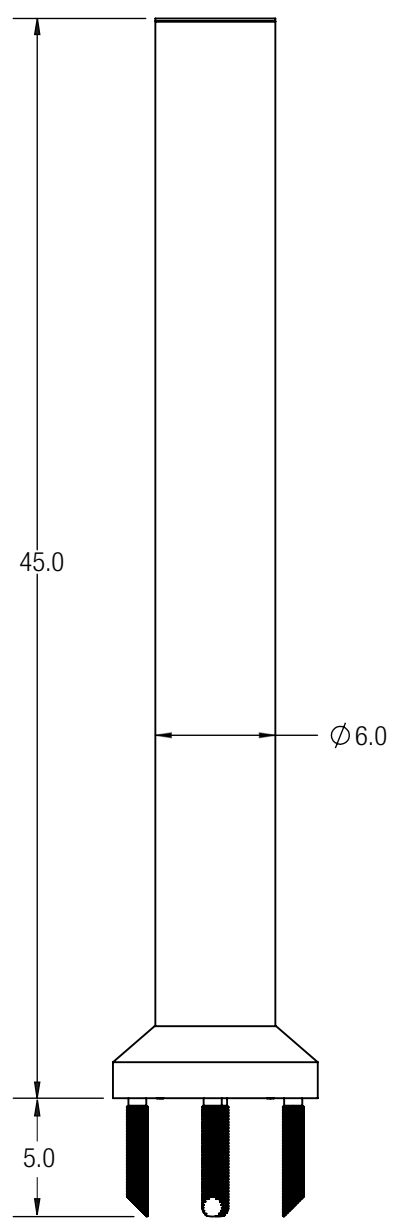
X \_\_\_\_\_

UNLESS OTHERWISE SPECIFIED, DIMENSIONS ARE IN INCHES		<b>FORMS+SURFACES</b> ® 30 Pine Street, Pittsburgh, PA 15223 Tel (412) 781-9003 Fax (412) 781-7840	
TOLERANCES (UNLESS OTHERWISE SPECIFIED): FRACTIONAL: $\pm 1/32$ ANGULAR/BEND: $\pm 1^\circ$ TWO PLACE DECIMAL $\pm .030$ THREE PLACE DECIMAL $\pm .020$		NAME	DATE
MATERIAL: SEE DATA SHEET		DWN	AKS 07/25/2014
FINISH: SEE DATA SHEET		DO NOT SCALE DRAWING	
WEIGHT: 39.00 LBS		PROPRIETARY AND CONFIDENTIAL	
SOURCE: MDW		THE INFORMATION CONTAINED IN THIS DRAWING IS THE SOLE PROPERTY OF FORMS + SURFACES. ANY REPRODUCTION IN PART OR AS A WHOLE WITHOUT WRITTEN PERMISSION IS PROHIBITED.	
SCALE: N.T.S.		SIZE	DWG. NO.
		B	LBLCO-604-N
		REV	SHEET
		0	1 OF 1

PRINTED: 03/19/13

8 7 6 5 4 3 2 1

D  
C  
B  
A



D  
C  
B  
A

CUSTOMER APPROVAL:

X \_\_\_\_\_

DATE:

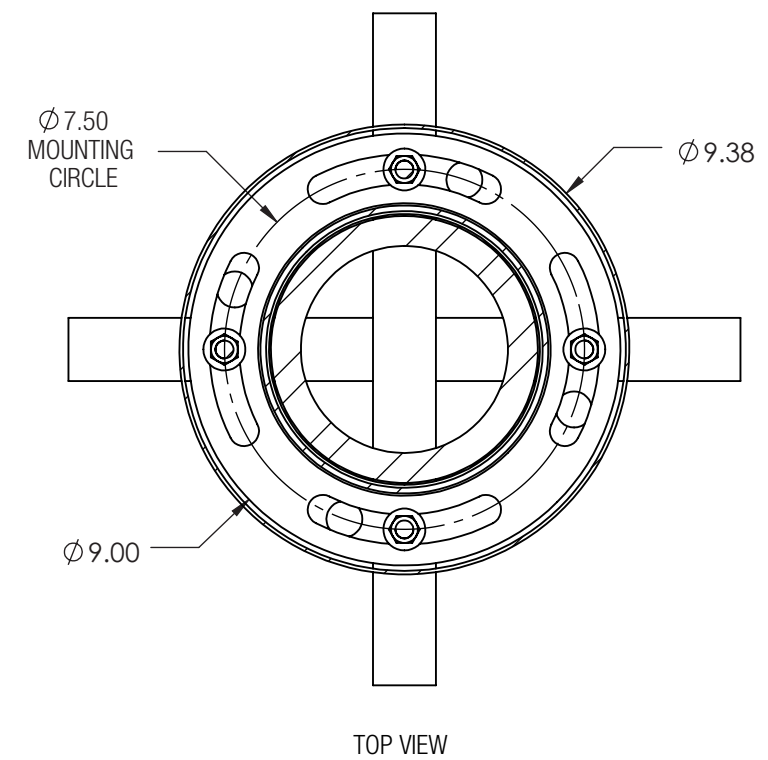
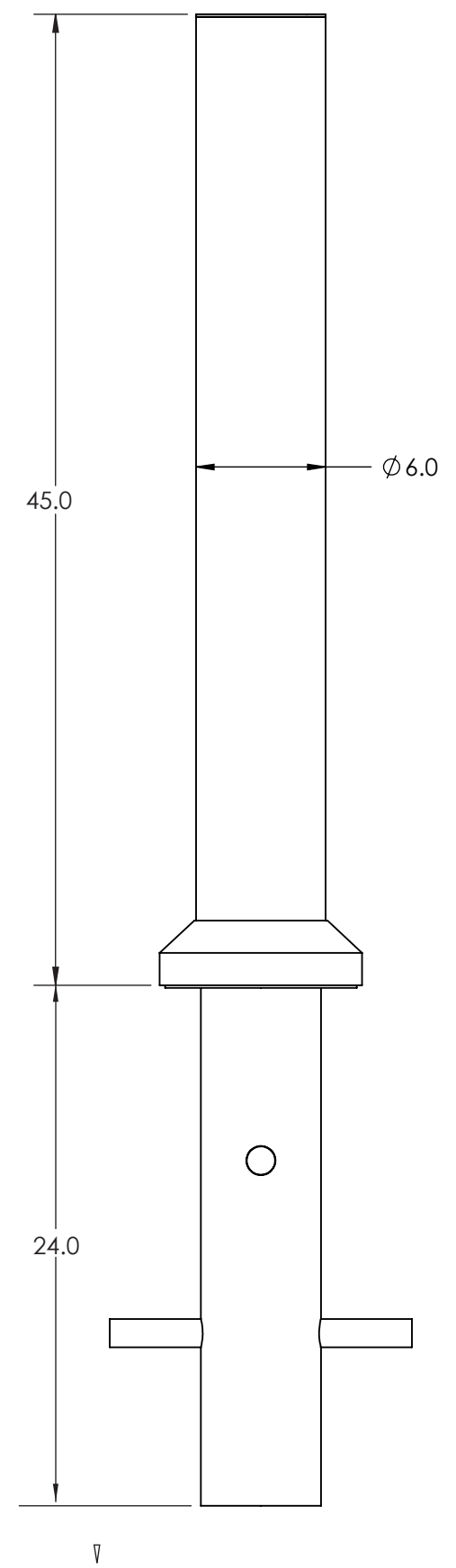
X \_\_\_\_\_

UNLESS OTHERWISE SPECIFIED, DIMENSIONS ARE IN INCHES		<b>FORMS+SURFACES</b> ® 30 Pine Street, Pittsburgh, PA 15223 Tel (412) 781-9003 Fax (412) 781-7840	
TOLERANCES (UNLESS OTHERWISE SPECIFIED):		NAME	DATE
FRACTIONAL: ±1/32		DWN	EMK 7/25/2014
ANGULAR/BEND: ±1°		LIGHT COLUMN BOLLARD SERIES 600, NON-ILLUMINATED, REMOVABLE BASE LBLCO-604-NR	
TWO PLACE DECIMAL ±.030		SIZE DWG. NO. REV SHEET	
THREE PLACE DECIMAL ±.020		B LBLCO-604-NR 0 1 OF 1	
MATERIAL: SEE DATA SHEET		DO NOT SCALE DRAWING	
FINISH: SEE DATA SHEET		PROPRIETARY AND CONFIDENTIAL	
WEIGHT: 34 LBS.		THE INFORMATION CONTAINED IN THIS DRAWING IS THE SOLE PROPERTY OF FORMS + SURFACES. ANY REPRODUCTION IN PART OR AS A WHOLE WITHOUT WRITTEN PERMISSION IS PROHIBITED.	
SOURCE: MDW		PRINTED: 9/17/2013	
SCALE: N.T.S.			

8 7 6 5 4 3 2 1

8 7 6 5 4 3 2 1

D  
C  
B  
A



CUSTOMER APPROVAL:

X \_\_\_\_\_

DATE:

X \_\_\_\_\_

UNLESS OTHERWISE SPECIFIED, DIMENSIONS ARE IN INCHES		<b>FORMS+SURFACES</b> <sup>®</sup> 30 Pine Street, Pittsburgh, PA 15223 Tel (412) 781-9003 Fax (412) 781-7840	
TOLERANCES (UNLESS OTHERWISE SPECIFIED):		NAME	DATE
FRACTIONAL: $\pm 1/32$		DWN	EMK 07/25/2014
ANGULAR/BEND: $\pm 1^\circ$		LIGHT COLUMN BOLLARD, SERIES 600, NON-ILLUMINATED, SECURITY CORE	
TWO PLACE DECIMAL $\pm .030$		LBLCO-604-N-SEC	
THREE PLACE DECIMAL $\pm .020$		SIZE DWG. NO. REV SHEET	
MATERIAL: SEE DATA SHEET		B LBLCO-604-N-SEC 0 1 OF 1	
FINISH: SEE DATA SHEET		DO NOT SCALE DRAWING	
WEIGHT: 177 LBS		PROPRIETARY AND CONFIDENTIAL	
SOURCE: MDW		THE INFORMATION CONTAINED IN THIS DRAWING IS THE SOLE PROPERTY OF FORMS + SURFACES. ANY REPRODUCTION IN PART OR AS A WHOLE WITHOUT WRITTEN PERMISSION IS PROHIBITED.	
SCALE: N.T.S.			

8 7 6 5 4 3 2 1

PRINTED: 6/11/2014