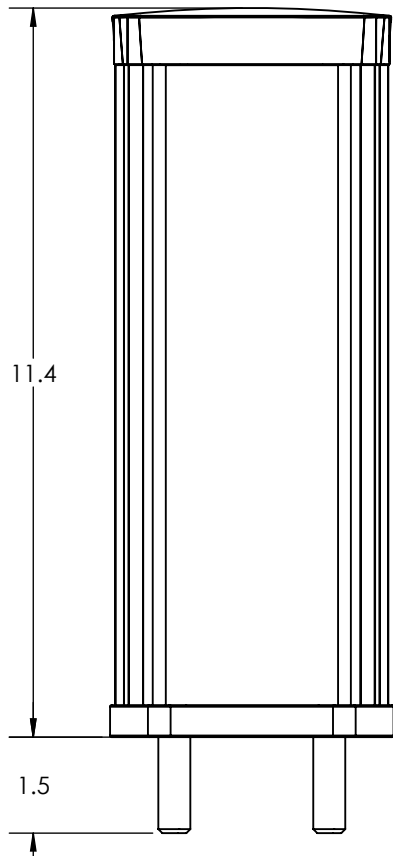
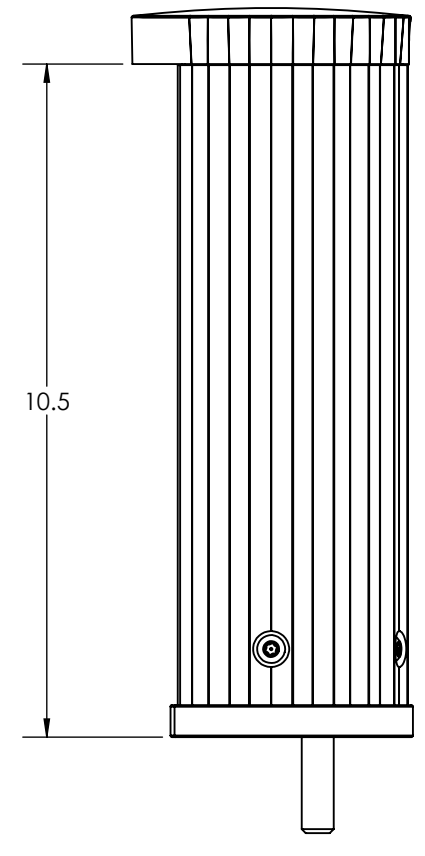


8 7 6 5 4 3 2 1

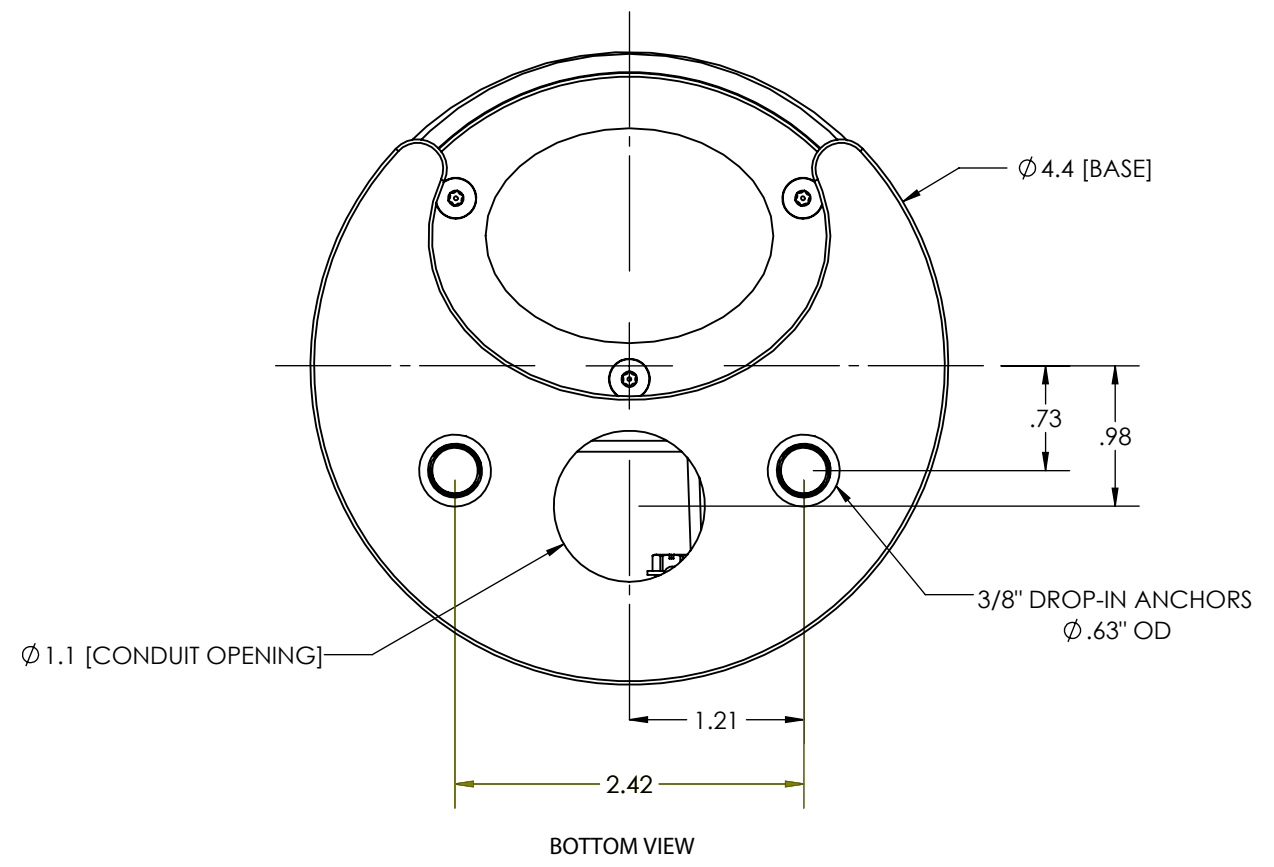
D
C
B
A



FRONT VIEW



RIGHT VIEW



BOTTOM VIEW

CUSTOMER APPROVAL:

X _____

DATE:

X _____

<small>UNLESS OTHERWISE SPECIFIED: 1. PRIMARY DIM. ARE IN INCHES & SECONDARY [DIM] IN MM 2. TOLERANCES FRACTIONAL: ±1/32; ANGULAR/BEND: ±1° TWO PLACE DECIMAL ±.030 THREE PLACE DECIMAL ±.020 3. REMOVE ALL BURRS AND SHARP EDGES</small>	FORMS+SURFACES		<small>30 Pine Street, Pittsburgh, PA 15223 Tel (412) 781-9003 Fax (412) 781-7840</small>	
	NAME	DATE	DESCRIPTION: RADIA PATHWAY BOLLARD, HARDWIRED LBRAP,AC	
	DWN	STF		
	CHK	11/22/21		
MATERIAL: SEE DATA SHEET	DO NOT SCALE DRAWING		SIZE	DWG. NO.
FINISH: SEE DATA SHEET	PROPRIETARY AND CONFIDENTIAL		B	LBRAP-AC-CS
WEIGHT: SEE DATA SHEET	THE INFORMATION CONTAINED IN THIS DRAWING IS THE SOLE PROPERTY OF FORMS + SURFACES. ANY REPRODUCTION IN PART OR AS A WHOLE WITHOUT WRITTEN PERMISSION IS PROHIBITED.		REV	SHEET
SCALE: NOT TO SCALE			0	1 OF 1

8 7 6 5 4 3 2 1