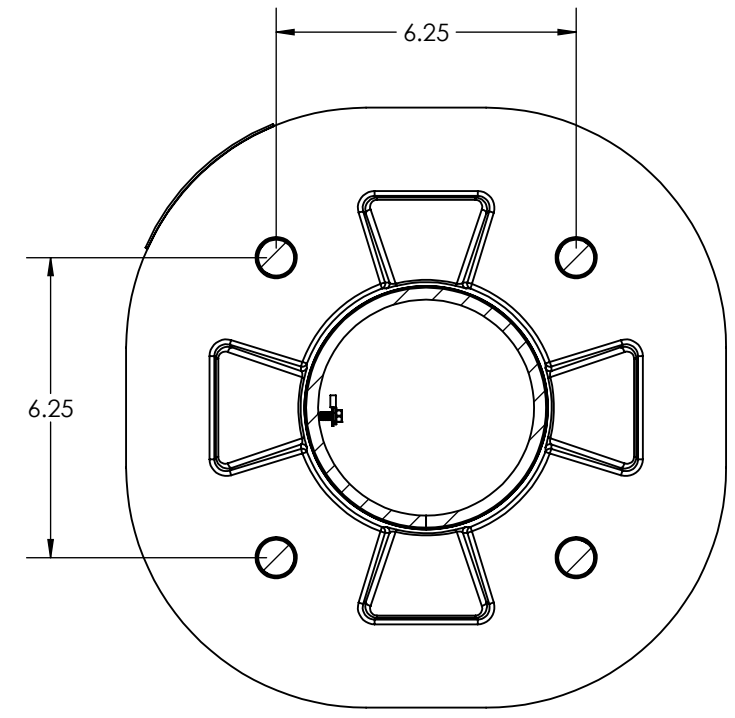
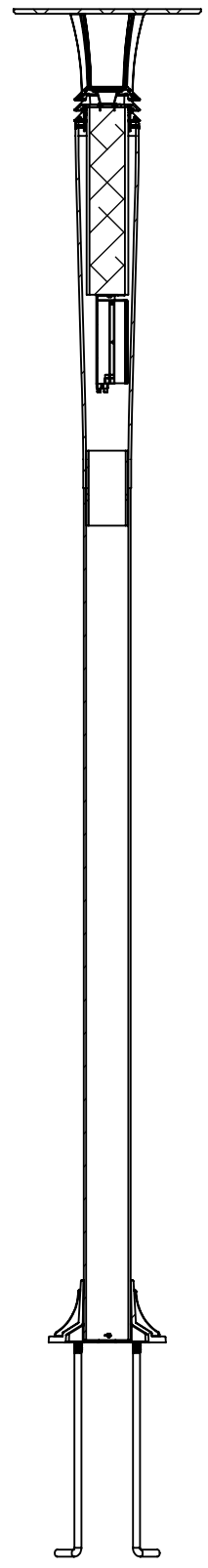
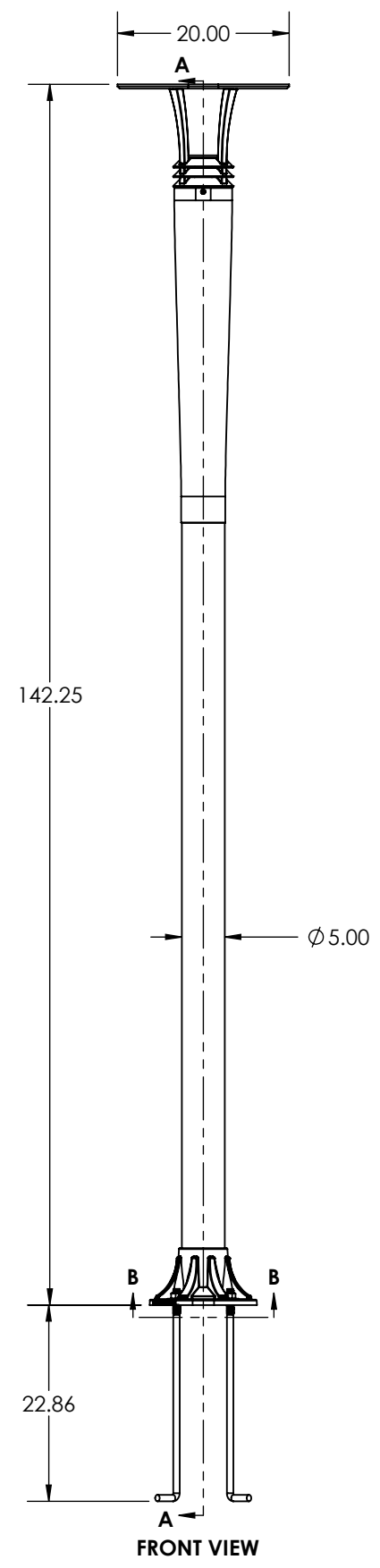


8 7 6 5 4 3 2 1

D  
C  
B  
A

D  
C  
B  
A



CUSTOMER APPROVAL:

X \_\_\_\_\_

DATE:

X \_\_\_\_\_

<b>UNLESS OTHERWISE SPECIFIED:</b> 1. PRIMARY DIM. ARE IN INCHES & SECONDARY [DIM] IN MM 2. TOLERANCES FRACTIONAL: ±1/32; ANGULAR/BEND: ±1° TWO PLACE DECIMAL ±.030 THREE PLACE DECIMAL ±.020 3. REMOVE ALL BURRS AND SHARP EDGES THIRD ANGLE PROJECTION		<b>FORMS+SURFACES</b> 30 Pine Street, Pittsburgh, PA 15223 Tel (412) 781-9003 Fax (412) 385-4715																		
MATERIAL: CAST AL FINISH: PC WEIGHT: 86.92 LBS SCALE: NOT TO SCALE		<table border="1"> <tr> <th>NAME</th> <th>DATE</th> <th>DESCRIPTION:</th> </tr> <tr> <td>DWN</td> <td>XXX</td> <td>01/02/2015</td> </tr> <tr> <td>CHK</td> <td></td> <td></td> </tr> </table>	NAME	DATE	DESCRIPTION:	DWN	XXX	01/02/2015	CHK			<p><b>LPCOR-LED, CORDIA PEDESTRIAN</b></p> <table border="1"> <tr> <th>SIZE</th> <th>DWG. NO.</th> <th>REV</th> <th>SHEET</th> </tr> <tr> <td>B</td> <td>LPCOR-CS</td> <td>0</td> <td>1 OF 1</td> </tr> </table>	SIZE	DWG. NO.	REV	SHEET	B	LPCOR-CS	0	1 OF 1
NAME	DATE	DESCRIPTION:																		
DWN	XXX	01/02/2015																		
CHK																				
SIZE	DWG. NO.	REV	SHEET																	
B	LPCOR-CS	0	1 OF 1																	

8 7 6 5 4 3 2 1

UPDATED ON 03/06/2021