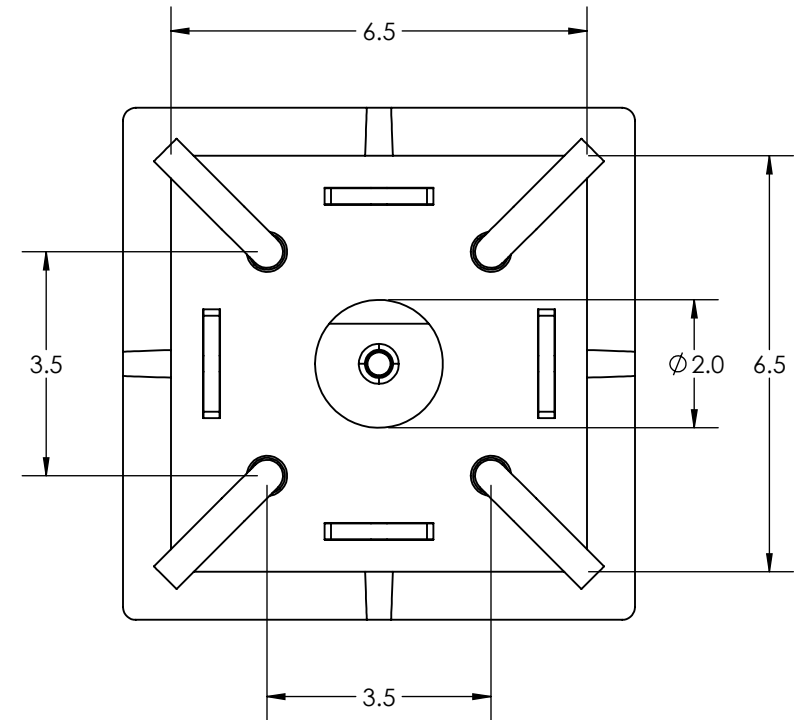
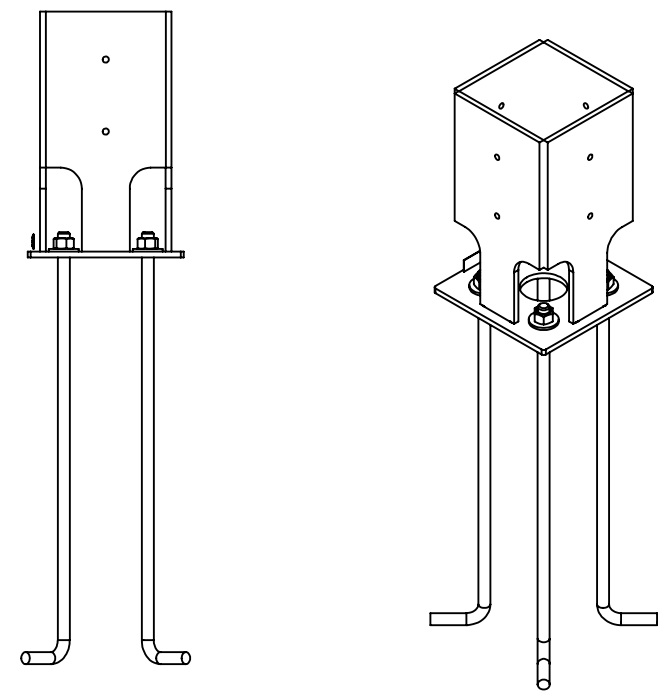


FRONT VIEW



BOTTOM VIEW



BASE PLATE & J-BOLT ANCHORS

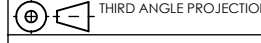
CUSTOMER APPROVAL:

X _____

DATE:

X _____

UNLESS OTHERWISE SPECIFIED:
 1. PRIMARY DIM. ARE IN INCHES & SECONDARY [DIM] IN MM
 2. TOLERANCES
 FRACTIONAL: ±1/32; ANGULAR/BEND: ±1°
 TWO PLACE DECIMAL ±.030
 THREE PLACE DECIMAL ±.020
 3. REMOVE ALL BURRS AND SHARP EDGES



MATERIAL: SEE DATA SHEET

FINISH: SEE DATA SHEET

WEIGHT: SEE DATA SHEET

SCALE: NOT TO SCALE

FORMS+SURFACES 30 Pine Street, Pittsburgh, PA 15223
 Tel (412) 781-9003 Fax (412) 781-7840

NAME	DATE
DWN DEF	8/9/2021
CHK	

DESCRIPTION:

**LPKNI, LED
 KNIGHT PEDESTRIAN, LED MODEL**

SIZE	DWG. NO.	REV	SHEET
B	LPKNI-LED-CS	0	1 OF 1

PROPRIETARY AND CONFIDENTIAL
 THE INFORMATION CONTAINED IN THIS DRAWING IS THE SOLE PROPERTY OF FORMS + SURFACES. ANY REPRODUCTION IN PART OR AS A WHOLE WITHOUT WRITTEN PERMISSION IS PROHIBITED.