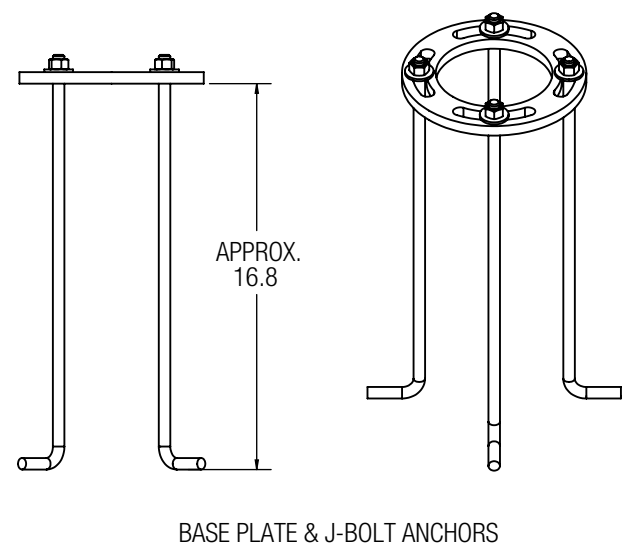
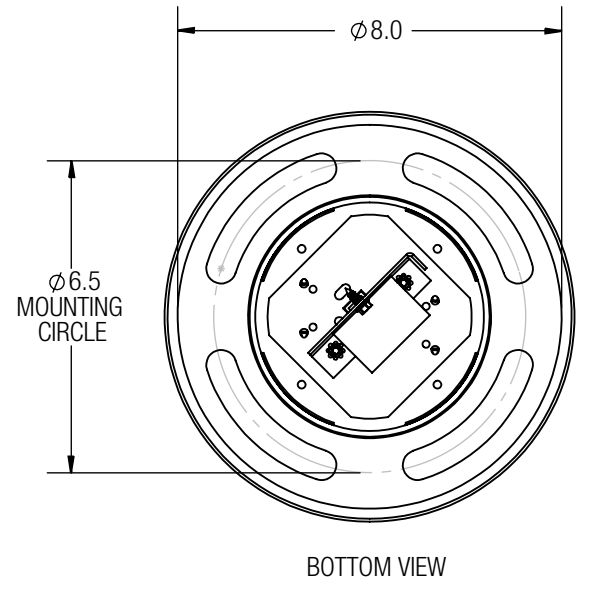
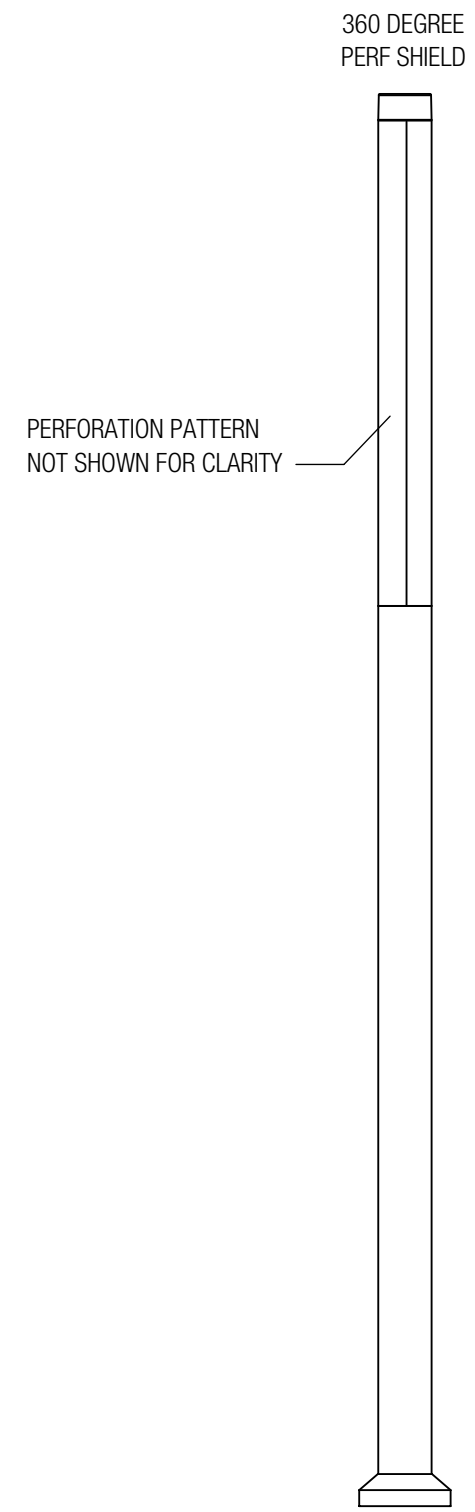
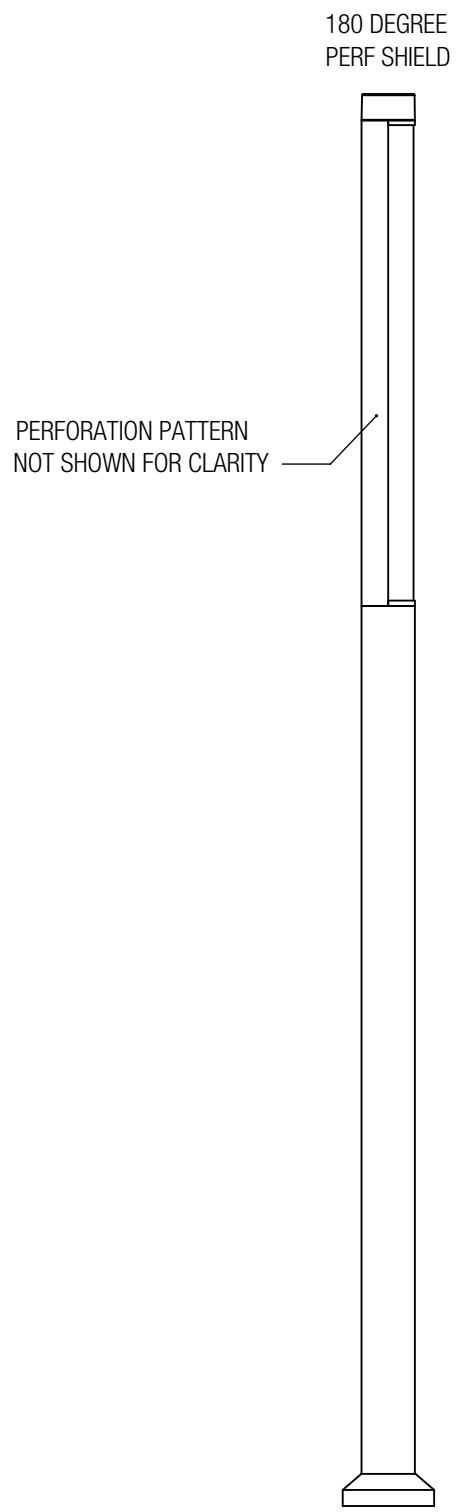
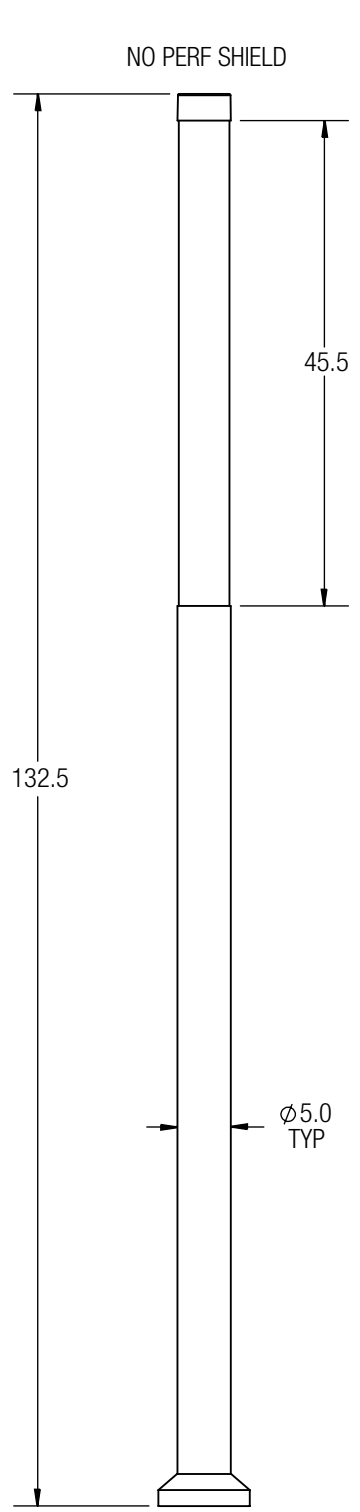


8 7 6 5 4 3 2 1



D
C
B
A

D
C
B
A

CUSTOMER APPROVAL:

X _____

DATE:

X _____

UNLESS OTHERWISE SPECIFIED, DIMENSIONS ARE IN INCHES		FORMS+SURFACES ® 30 Pine Street, Pittsburgh, PA 15223 Tel (800) 451-0410 Fax (412) 781-7840	
TOLERANCES (UNLESS OTHERWISE SPECIFIED):		DATE	LIGHT COLUMN PEDESTRIAN LPLCO-512
FRACTIONAL: ±1/32		04/17/2014	
ANGULAR/BEND: ±1°			
TWO PLACE DECIMAL ±.030			
THREE PLACE DECIMAL ±.020			
MATERIAL: SEE DATA SHEET		DO NOT SCALE DRAWING	
FINISH: SEE DATA SHEET		PROPRIETARY AND CONFIDENTIAL	
WEIGHT: 65 LBS		THE INFORMATION CONTAINED IN THIS DRAWING IS THE SOLE PROPERTY OF FORMS + SURFACES. ANY REPRODUCTION IN PART OR AS A WHOLE WITHOUT WRITTEN PERMISSION IS PROHIBITED.	
SOURCE:		SIZE	DWG. NO.
SCALE: N.T.S.		B	LPLCO-512-TD
		REV	SHEET
		1	1 OF 1

8 7 6 5 4 3 2 1