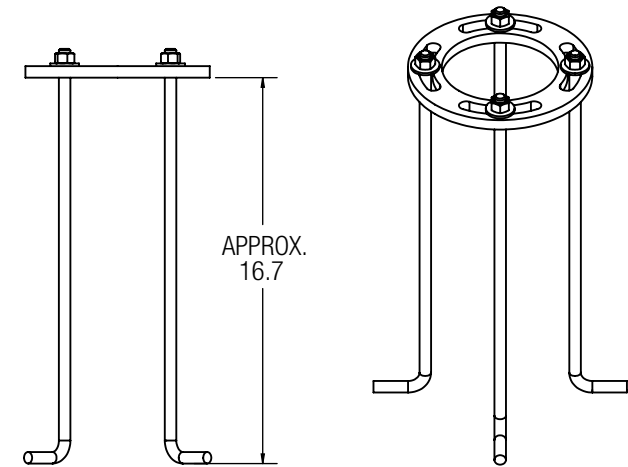
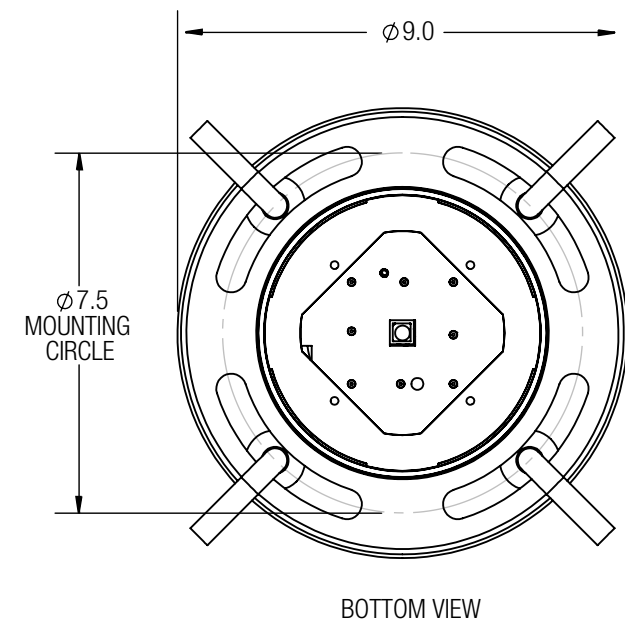
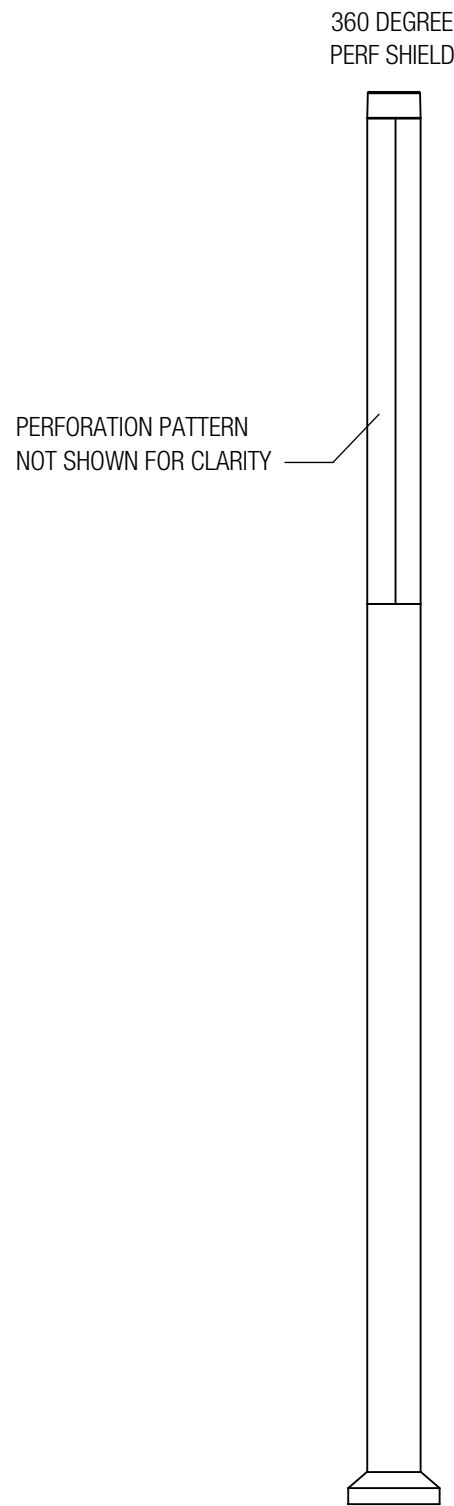
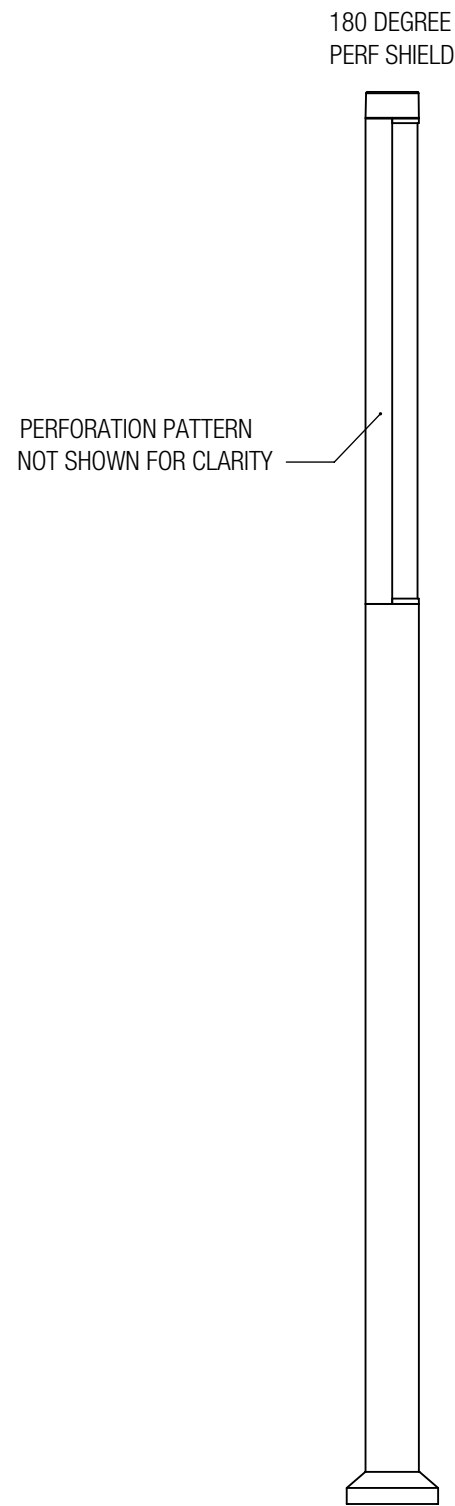
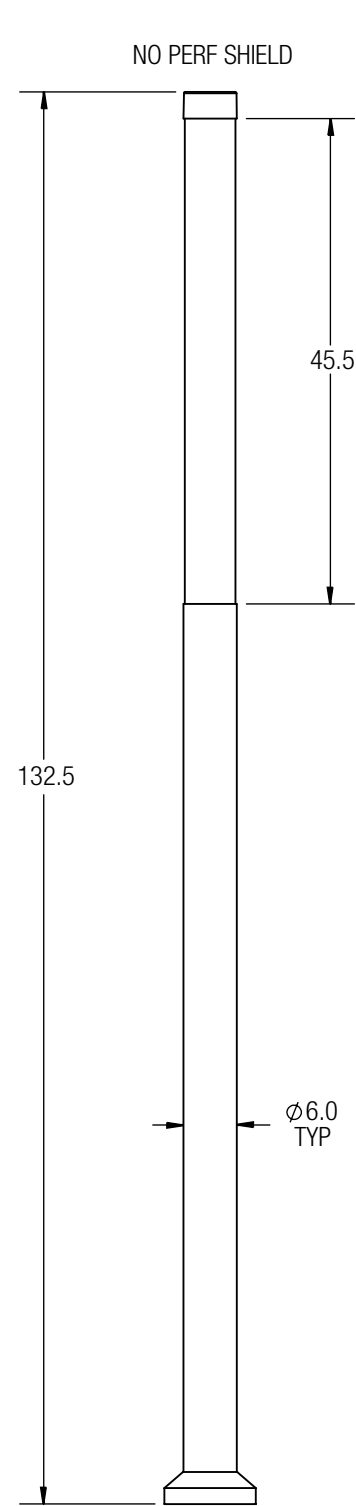


8 7 6 5 4 3 2 1



BASE PLATE & J-BOLT ANCHORS

D
C
B
A

D
C
B
A

CUSTOMER APPROVAL:

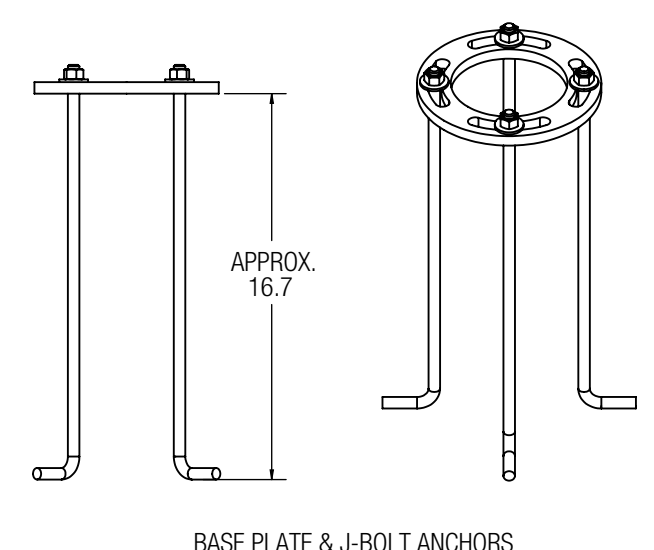
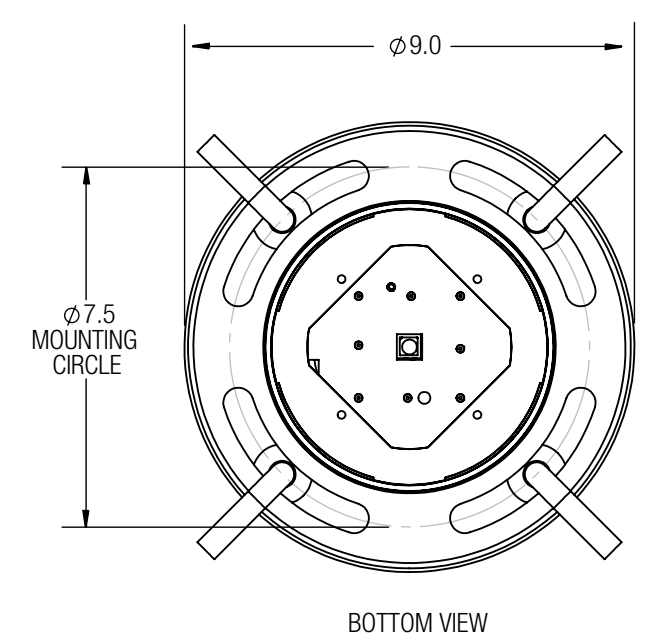
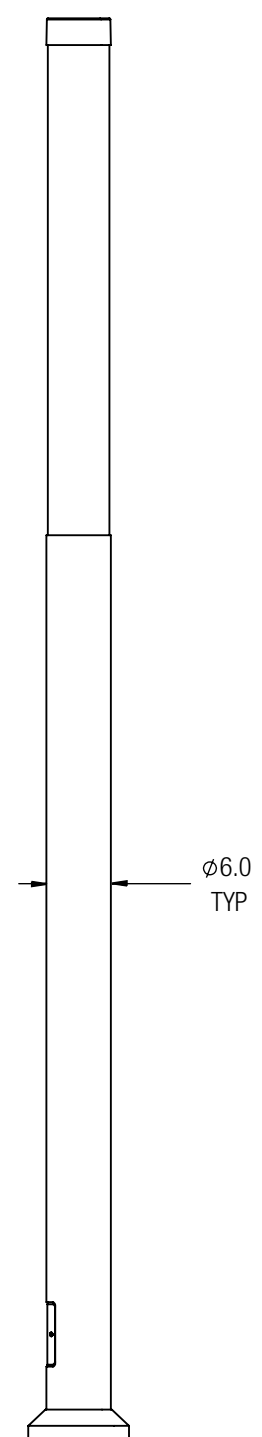
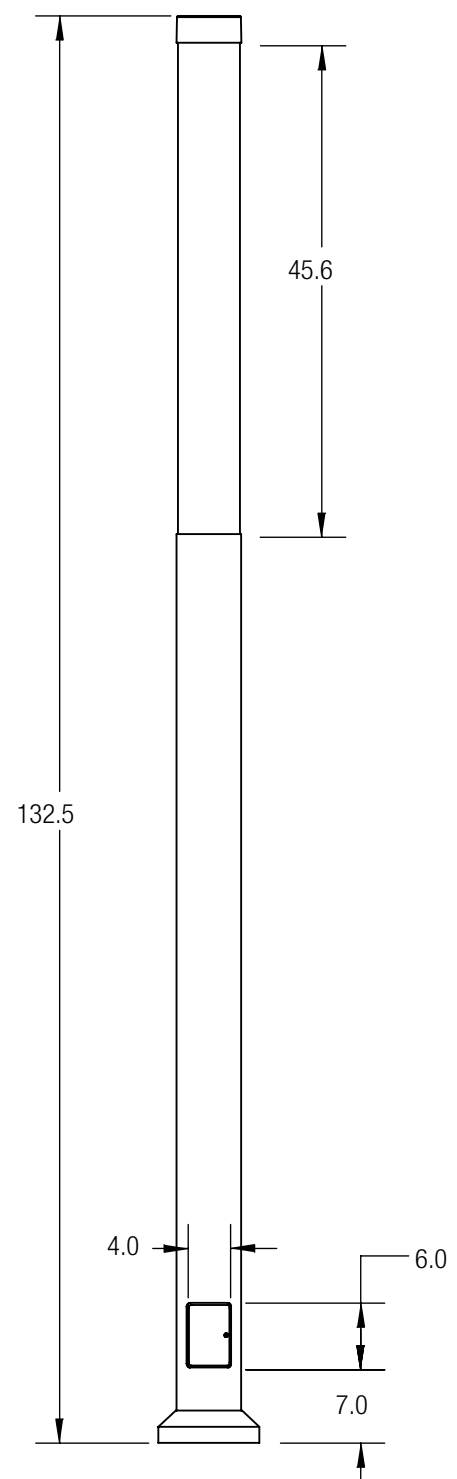
X _____

DATE:

X _____

UNLESS OTHERWISE SPECIFIED, DIMENSIONS ARE IN INCHES		FORMS+SURFACES ® 30 Pine Street, Pittsburgh, PA 15223 Tel (800) 451-0410 Fax (412) 781-7840	
TOLERANCES (UNLESS OTHERWISE SPECIFIED):		DATE	LIGHT COLUMN PEDESTRIAN LPLCO-612
FRACTIONAL: ±1/32		04/17/2014	
ANGULAR/BEND: ±1°			
TWO PLACE DECIMAL ±.030			
THREE PLACE DECIMAL ±.020			
MATERIAL: SEE DATA SHEET		DO NOT SCALE DRAWING	
FINISH: SEE DATA SHEET		PROPRIETARY AND CONFIDENTIAL	
WEIGHT: 75 LBS		THE INFORMATION CONTAINED IN THIS DRAWING IS THE SOLE PROPERTY OF FORMS + SURFACES. ANY REPRODUCTION IN PART OR AS A WHOLE WITHOUT WRITTEN PERMISSION IS PROHIBITED.	
SOURCE: MDW		SIZE	DWG. NO.
SCALE: N.T.S.		B	LPLCO-612-TD
		REV	SHEET
		1	1 OF 1

8 7 6 5 4 3 2 1



CUSTOMER APPROVAL:
 X _____
 DATE:
 X _____

UNLESS OTHERWISE SPECIFIED, DIMENSIONS ARE IN INCHES

FORMS+SURFACES® 30 Pine Street, Pittsburgh, PA 15223
 Tel (412) 781-9003 Fax (412) 781-7840

TOLERANCES (UNLESS OTHERWISE SPECIFIED):		NAME		DATE	
FRACTIONAL:	± 1/32	DWN	EMK	1/8/2016	
ANGULAR/BEND:	± 1°				
TWO PLACE DECIMAL	± .030				
THREE PLACE DECIMAL	± .020				
MATERIAL: SEE DATA SHEET		DO NOT SCALE DRAWING			
FINISH: SEE DATA SHEET		PROPRIETARY AND CONFIDENTIAL			
WEIGHT: 103 LBS.		THE INFORMATION CONTAINED IN THIS DRAWING IS THE SOLE PROPERTY OF FORMS + SURFACES. ANY REPRODUCTION IN PART OR AS A WHOLE WITHOUT WRITTEN PERMISSION IS PROHIBITED.			
SOURCE: M		SIZE	DWG. NO.	REV	SHEET
SCALE: N.T.S.		B	LPLCO-612-GFCI	0.0	1 OF 1

PRINTED: 2/11/2016