

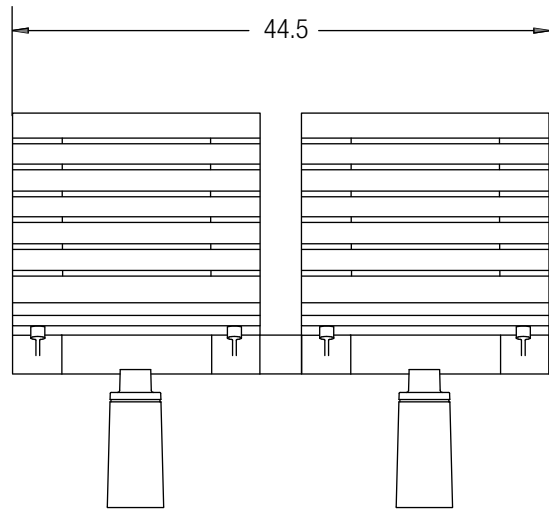
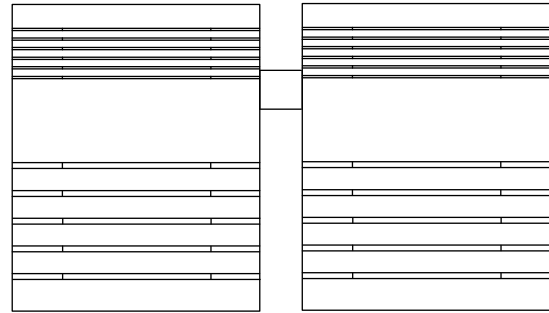
8 7 6 5 4 3 2 1

D

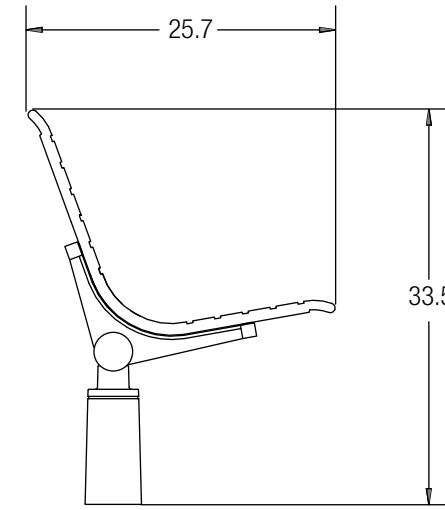
C

B

A



NOTE: EXTERNAL ARMRESTS ADD 7.1" TO OVERALL LENGTH



CUSTOMER APPROVAL:

X \_\_\_\_\_

DATE:

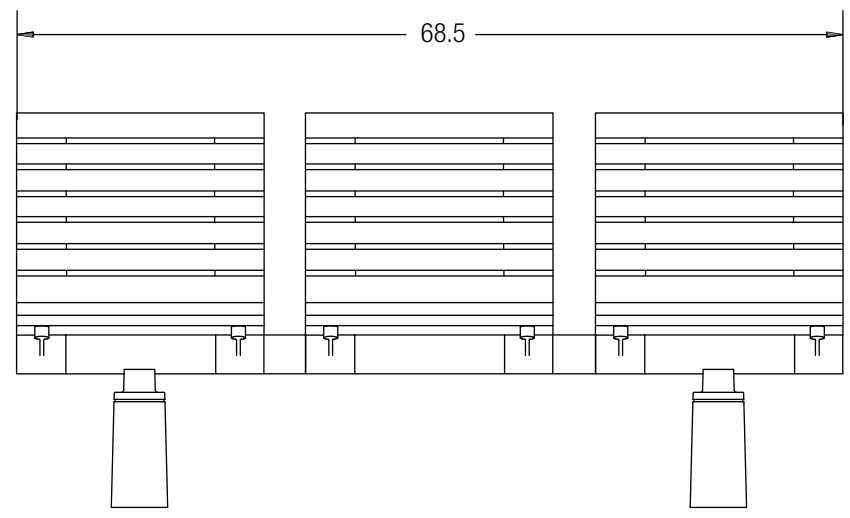
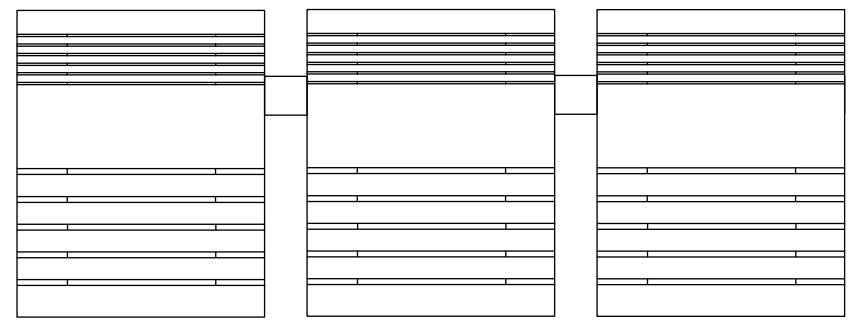
X \_\_\_\_\_

|  |  |   |   |
|--|--|---|---|
| UNLESS OTHERWISE SPECIFIED, DIMENSIONS ARE IN INCHES   |  | <b>FORMS+SURFACES</b> ® 30 Pine Street, Pittsburgh, PA 15223<br>Tel (800) 451-0410 Fax (412) 781-7840 |   |
| TOLERANCES (UNLESS OTHERWISE SPECIFIED):<br>FRACTIONAL: ±1/32<br>ANGULAR/BEND: ±1°<br>TWO PLACE DECIMAL ±.030<br>THREE PLACE DECIMAL ±.020 |  | DATE  | TECNO RS SEATING SYSTEM<br>BACKED, 2 SEATS<br>CYLINDRICAL MOUNTING POST |
| MATERIAL: SEE DATA SHEET   |  | 01/01/2011  |   |
| FINISH: SEE DATA SHEET   | DO NOT SCALE DRAWING   |   | SIZE DWG. NO. REV SHEET<br>B RS-B-2-TD 0 1 OF 1                         |
| WEIGHT: 108 LBS  | PROPRIETARY AND CONFIDENTIAL<br>THE INFORMATION CONTAINED IN THIS DRAWING IS THE SOLE PROPERTY OF FORMS + SURFACES. ANY REPRODUCTION IN PART OR AS A WHOLE WITHOUT WRITTEN PERMISSION IS PROHIBITED. |   |   |
| SOURCE: M  | SCALE: N.T.S.  |   |   |

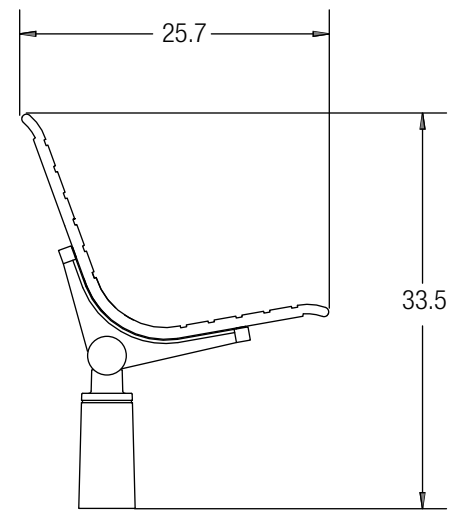
8 7 6 5 4 3 2 1

8 7 6 5 4 3 2 1

D  
C  
B  
A



NOTE: EXTERNAL ARMRESTS ADD 7.1" TO OVERALL LENGTH



CUSTOMER APPROVAL:

X \_\_\_\_\_

DATE:

X \_\_\_\_\_

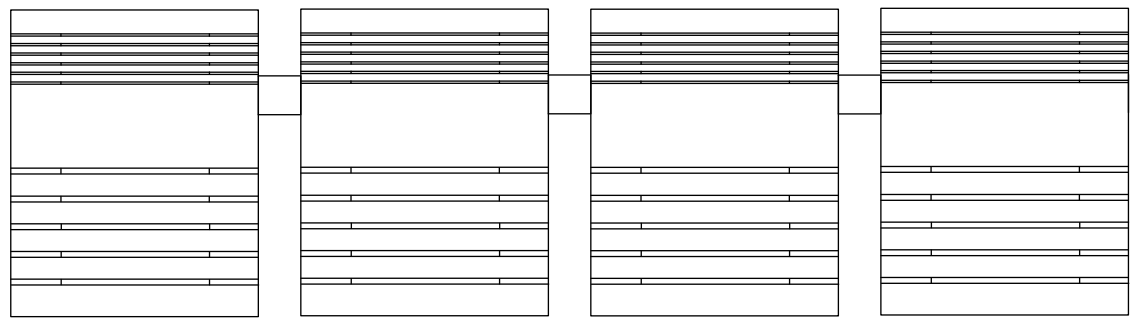
|  |  |   |   |
|--|--|---|---|
| UNLESS OTHERWISE SPECIFIED, DIMENSIONS ARE IN INCHES   |  | <b>FORMS+SURFACES</b> ® 30 Pine Street, Pittsburgh, PA 15223<br>Tel (800) 451-0410 Fax (412) 781-7840 |   |
| TOLERANCES (UNLESS OTHERWISE SPECIFIED):<br>FRACTIONAL: ±1/32<br>ANGULAR/BEND: ±1°<br>TWO PLACE DECIMAL ±.030<br>THREE PLACE DECIMAL ±.020 |  | DATE  | TECNO RS SEATING SYSTEM<br>BACKED, 3 SEATS<br>CYLINDRICAL MOUNTING POST |
| MATERIAL: SEE DATA SHEET   |  | 01/01/2011  |   |
| FINISH: SEE DATA SHEET   | DO NOT SCALE DRAWING   |   | SIZE DWG. NO. REV SHEET<br>B RS-B-3-TD 0 1 OF 1                         |
| WEIGHT: 137 LBS  | PROPRIETARY AND CONFIDENTIAL   |   |   |
| SOURCE: M  | THE INFORMATION CONTAINED IN THIS DRAWING IS THE SOLE PROPERTY OF FORMS + SURFACES. ANY REPRODUCTION IN PART OR AS A WHOLE WITHOUT WRITTEN PERMISSION IS PROHIBITED. |   |   |
| SCALE: N.T.S.  |  |   |   |

8 7 6 5 4 3 2 1

8 7 6 5 4 3 2 1

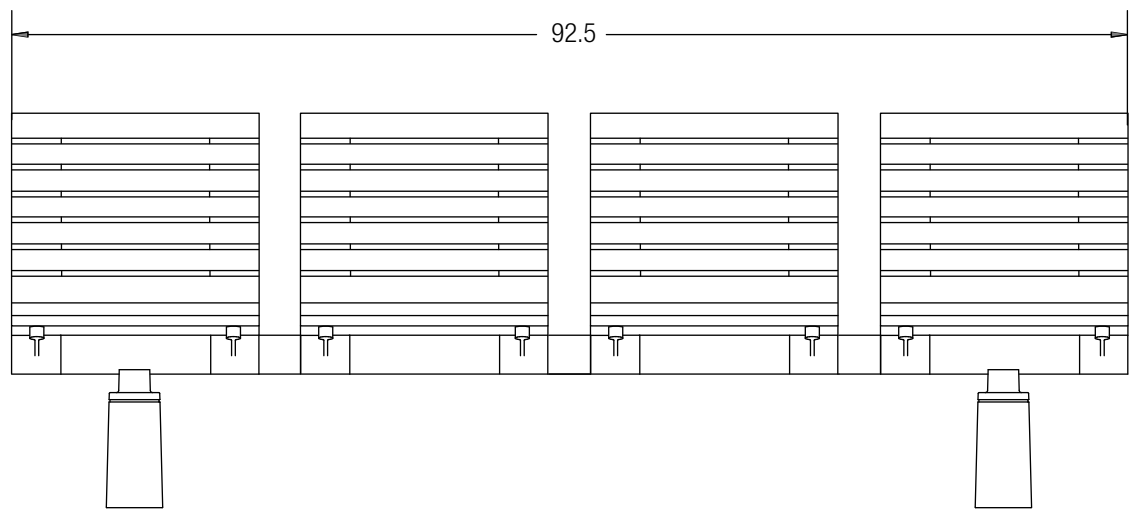
D

D



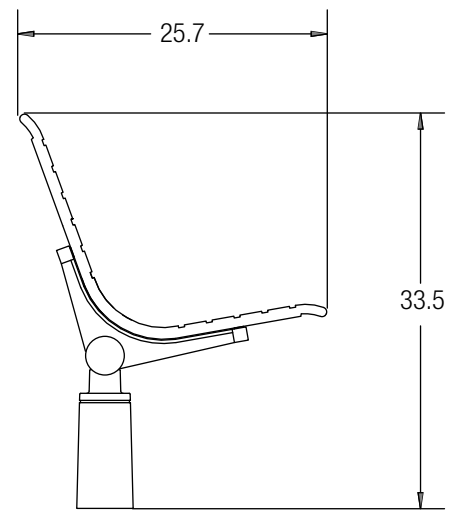
C

C



B

B



NOTE: EXTERNAL ARMRESTS ADD 7.1" TO OVERALL LENGTH

CUSTOMER APPROVAL:

X \_\_\_\_\_

DATE:

X \_\_\_\_\_

|  |  |   |   |
|--|--|---|---|
| UNLESS OTHERWISE SPECIFIED, DIMENSIONS ARE IN INCHES   |  | <b>FORMS+SURFACES</b> ® 30 Pine Street, Pittsburgh, PA 15223<br>Tel (800) 451-0410 Fax (412) 781-7840 |   |
| TOLERANCES (UNLESS OTHERWISE SPECIFIED):<br>FRACTIONAL: ±1/32<br>ANGULAR/BEND: ±1°<br>TWO PLACE DECIMAL ±.030<br>THREE PLACE DECIMAL ±.020 |  | DATE  | TECNO RS SEATING SYSTEM<br>BACKED, 4 SEATS<br>CYLINDRICAL MOUNTING POST |
| MATERIAL: SEE DATA SHEET   |  | 01/01/2011  |   |
| FINISH: SEE DATA SHEET   | DO NOT SCALE DRAWING   |   | SIZE DWG. NO. REV SHEET<br>B RS-B-4-TD 0 1 OF 1                         |
| WEIGHT: 170 LBS  | PROPRIETARY AND CONFIDENTIAL<br>THE INFORMATION CONTAINED IN THIS DRAWING IS THE SOLE PROPERTY OF FORMS + SURFACES. ANY REPRODUCTION IN PART OR AS A WHOLE WITHOUT WRITTEN PERMISSION IS PROHIBITED. |   |   |
| SOURCE: M  | SCALE: N.T.S.  |   |   |

8 7 6 5 4 3 2 1

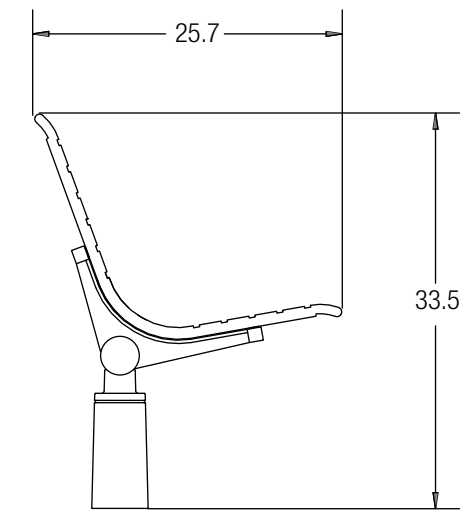
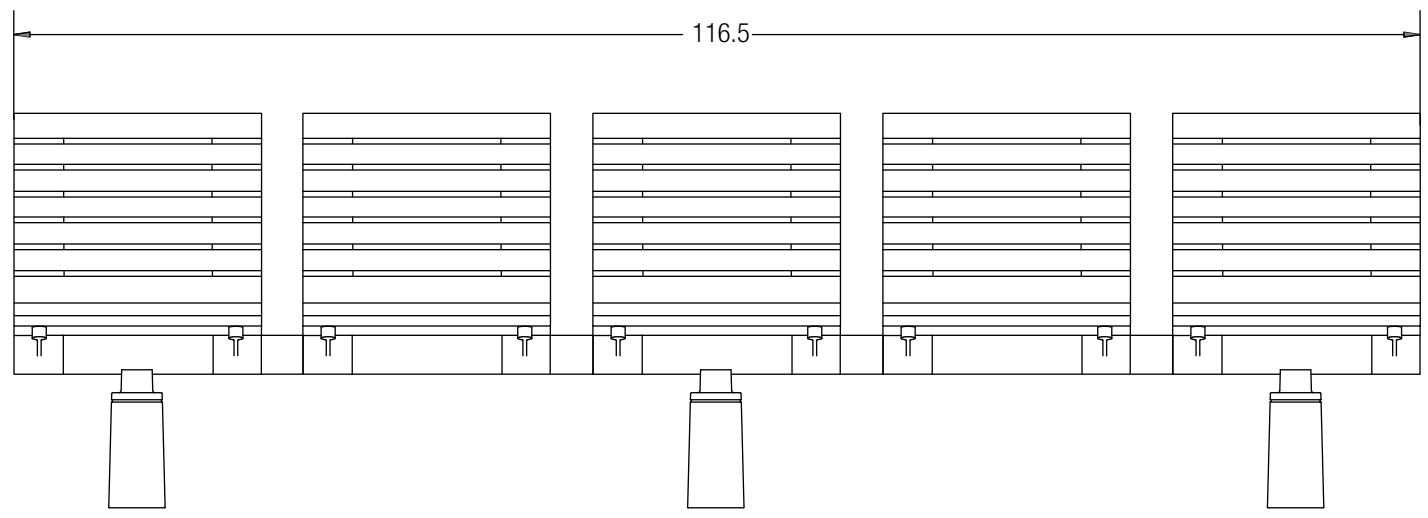
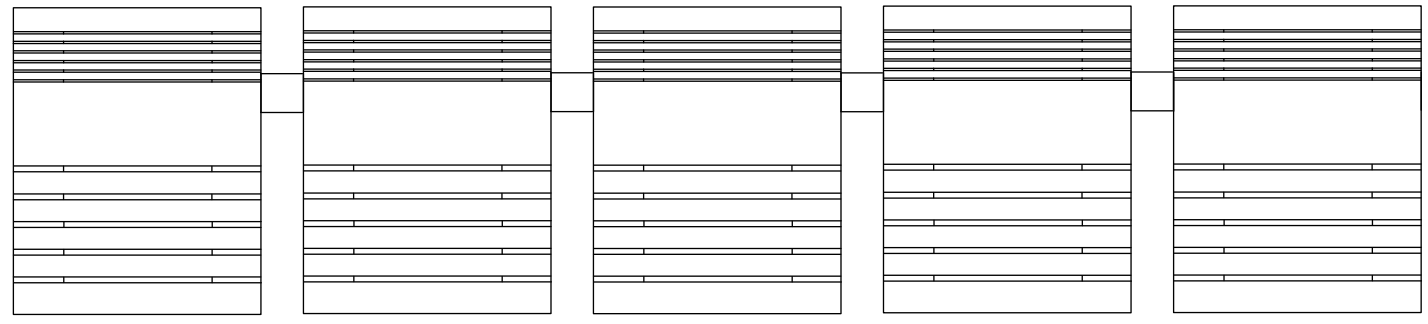
A

A

8 7 6 5 4 3 2 1

D  
C  
B  
A

D  
C  
B  
A



NOTE: EXTERNAL ARMRESTS ADD 7.1" TO OVERALL LENGTH

CUSTOMER APPROVAL:

X \_\_\_\_\_

DATE:

X \_\_\_\_\_

|  |  |  |   |
|--|--|--|---|
| UNLESS OTHERWISE SPECIFIED, DIMENSIONS ARE IN INCHES |  | <b>FORMS+SURFACES</b> ® 30 Pine Street, Pittsburgh, PA 15223<br>Tel (800) 451-0410 Fax (412) 781-7840  |   |
| TOLERANCES (UNLESS OTHERWISE SPECIFIED):             |  | DATE   | TECNO RS SEATING SYSTEM<br>BACKED, 5 SEATS<br>CYLINDRICAL MOUNTING POST |
| FRACTIONAL: ±1/32                                    |  | 01/01/2011   |   |
| ANGULAR/BEND: ±1°*                                   |  |  |   |
| TWO PLACE DECIMAL ±.030                              |  |  |   |
| THREE PLACE DECIMAL ±.020                            |  |  |   |
| MATERIAL: SEE DATA SHEET                             |  | DO NOT SCALE DRAWING   |   |
| FINISH: SEE DATA SHEET                               |  | PROPRIETARY AND CONFIDENTIAL   |   |
| WEIGHT: 227 LBS                                      |  | THE INFORMATION CONTAINED IN THIS DRAWING IS THE SOLE PROPERTY OF FORMS + SURFACES. ANY REPRODUCTION IN PART OR AS A WHOLE WITHOUT WRITTEN PERMISSION IS PROHIBITED. |   |
| SOURCE: M  |  | SIZE   | DWG. NO.  |
| SCALE: N.T.S.  |  | B  | RS-B-5-TD   |
|  |  | REV  | SHEET   |
|  |  | 0  | 1 OF 1  |

8 7 6 5 4 3 2 1