

**NOTE(S):**  
 1. ALUMINUM SLATS ARE SHOWN AS FLAT WITHOUT RIDGES FOR CLEAR VISIBILITY.

**UNLESS OTHERWISE SPECIFIED:**  
 1. PRIMARY DIM. ARE IN INCHES & SECONDARY [DIM] IN MM  
 2. TOLERANCES  
 FRACTIONAL: ±1/32; ANGULAR/BEND: ±1°  
 TWO PLACE DECIMAL ±.030  
 THREE PLACE DECIMAL ±.020  
 3. REMOVE ALL BURRS AND SHARP EDGES

THIRD ANGLE PROJECTION

MATERIAL: REFER DATA SHEET

FINISH: - REFER DATA SHEET

WEIGHT: - REFER DATA SHEET

SCALE: N.T.S

**FORMS+SURFACES** 30 Pine Street, Pittsburgh, PA 15223  
 Tel (412) 781-9003 Fax (412) 385-4715

**CUSTOMER APPROVAL:**

X \_\_\_\_\_

**DATE:**

X \_\_\_\_\_

DESCRIPTION:			
<b>APEX BENCH</b>			
<b>STANDALONE, ALUMINUM, SURFACE MOUNT</b>			
<b>SBAPX-72SA, STANDALONE, SFM</b>			
SIZE	DWG. NO.	REV	SHEET
B	SBAPX-72SA-SFM-CS	0	1 OF 1

	NAME	DATE
DWN	LJK	06/21/2021
CHK	MGJ	06/21/2021

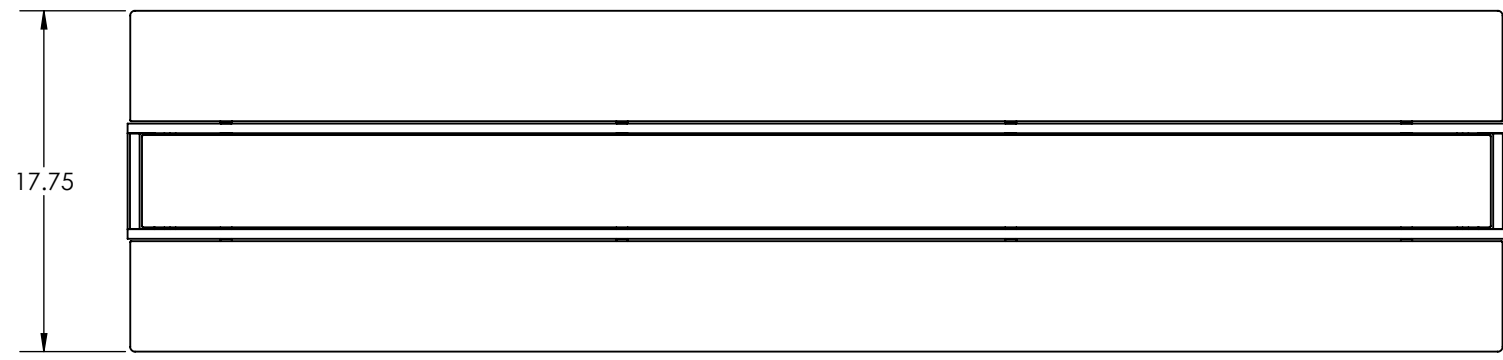
DO NOT SCALE DRAWING

**PROPRIETARY AND CONFIDENTIAL**  
 THE INFORMATION CONTAINED IN THIS DRAWING IS THE SOLE PROPERTY OF FORMS + SURFACES. ANY REPRODUCTION IN PART OR AS A WHOLE WITHOUT WRITTEN PERMISSION IS PROHIBITED.

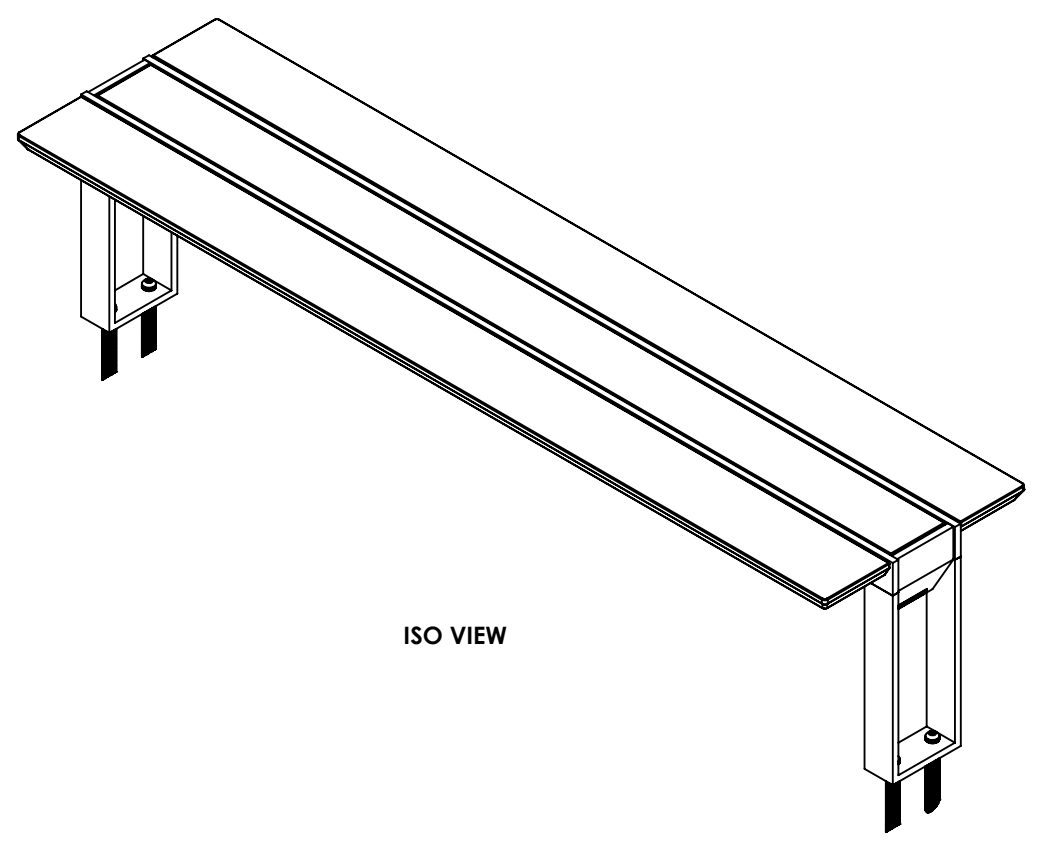
UPDATED ON: 06/21/2021

8 7 6 5 4 3 2 1

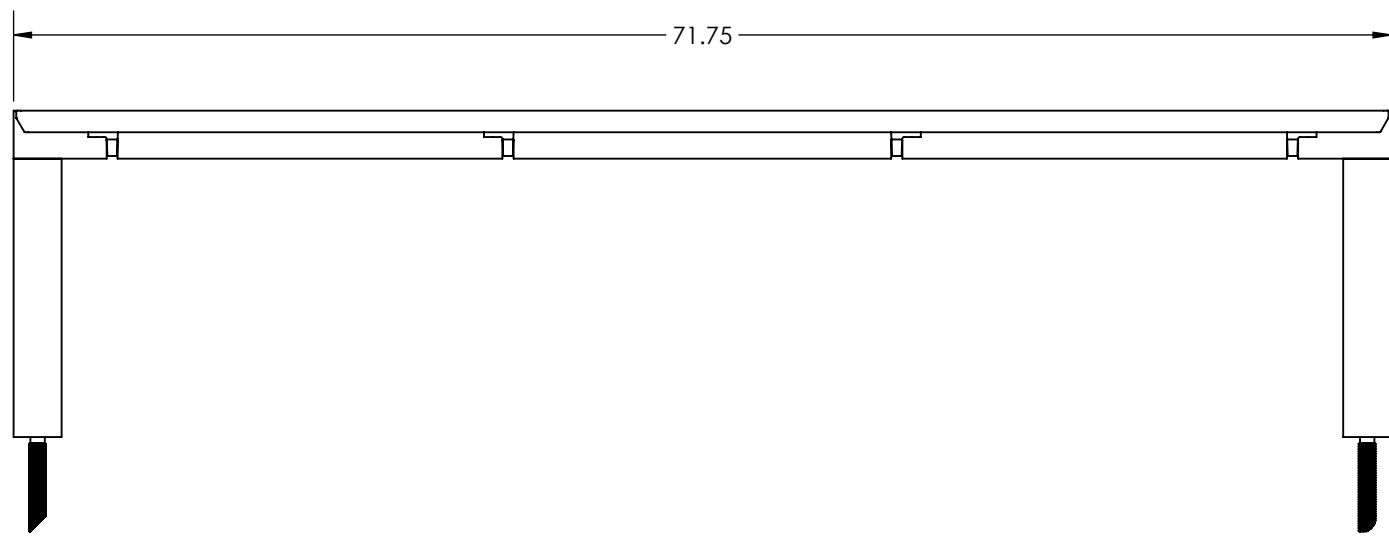
D  
C  
B  
A



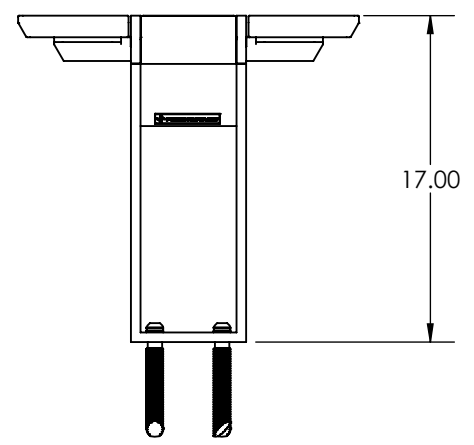
TOP VIEW



ISO VIEW



FRONT VIEW



SIDE VIEW

CUSTOMER APPROVAL:

X \_\_\_\_\_

DATE:

X \_\_\_\_\_

**UNLESS OTHERWISE SPECIFIED:**  
 1. PRIMARY DIM. ARE IN INCHES & SECONDARY [DIM] IN MM  
 2. TOLERANCES  
 FRACTIONAL: ±1/32; ANGULAR/BEND: ±1°  
 TWO PLACE DECIMAL ±.030  
 THREE PLACE DECIMAL ±.020  
 3. REMOVE ALL BURRS AND SHARP EDGES  
 THIRD ANGLE PROJECTION  
 MATERIAL: REFER DATA SHEET  
 FINISH: - REFER DATA SHEET  
 WEIGHT: - REFER DATA SHEET  
 SCALE: N.T.S

**FORMS+SURFACES** 30 Pine Street, Pittsburgh, PA 15223  
 Tel (412) 781-9003 Fax (412) 385-4715

	NAME	DATE
DWN	LJK	06/21/2021
CHK	MGJ	06/21/2021

DESCRIPTION:			
<b>APEX BENCH</b>			
<b>STANDALONE, CUMARU, SURFACE MOUNT</b>			
<b>SBAPX-72SC, STANDALONE, SFM</b>			
SIZE	DWG. NO.	REV	SHEET
B	SBAPX-72SC-SFM-CS	0	1 OF 1

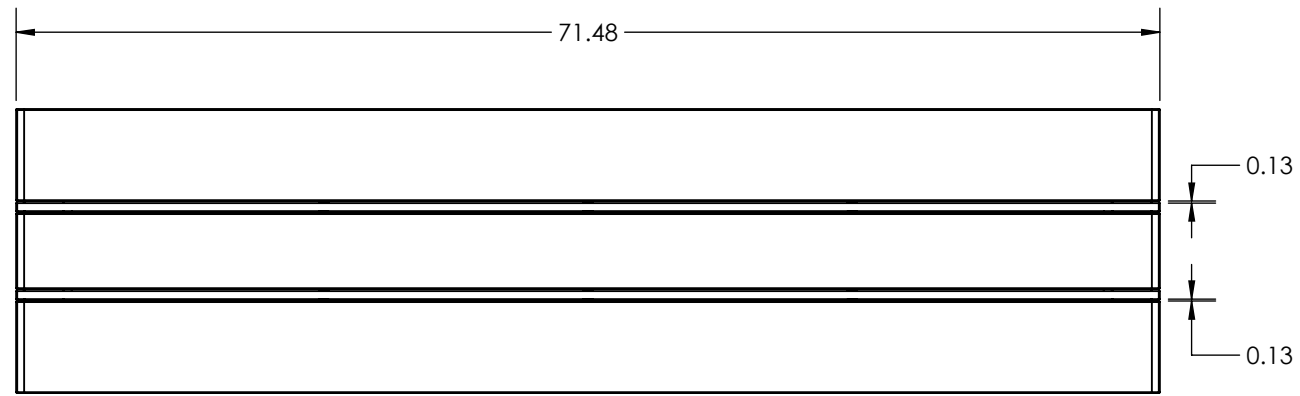
8 7 6 5 4 3 2 1

UPDATED ON: 06/21/2021

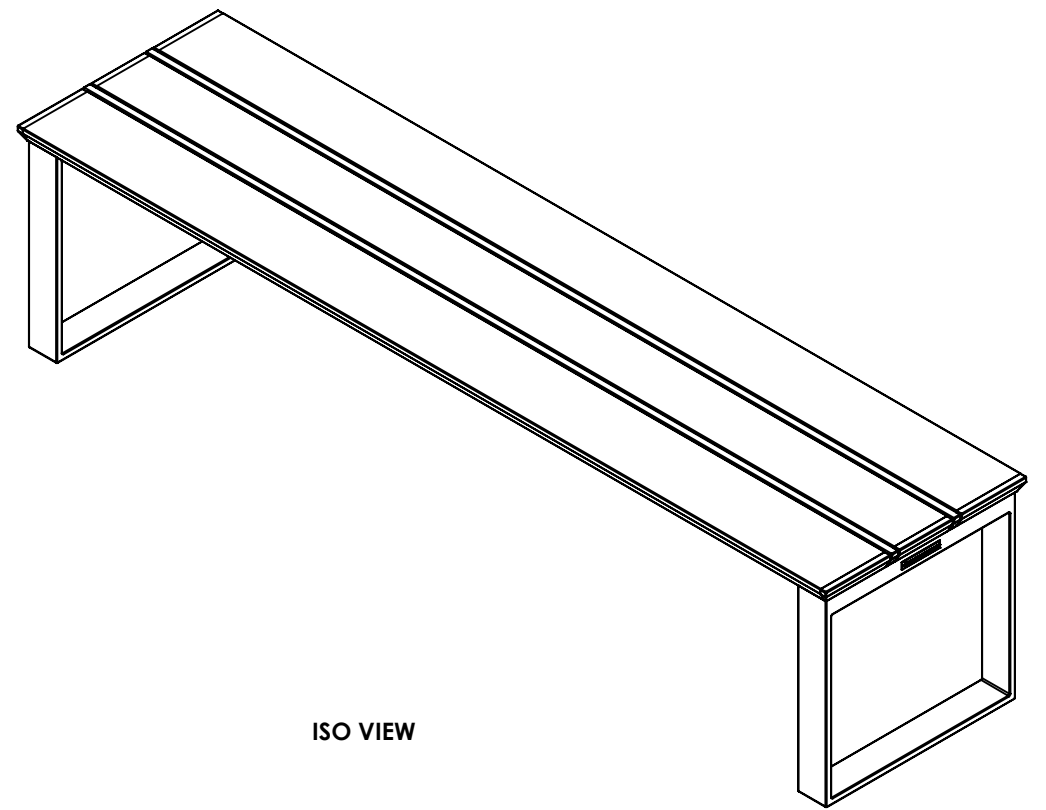
A

8 7 6 5 4 3 2 1

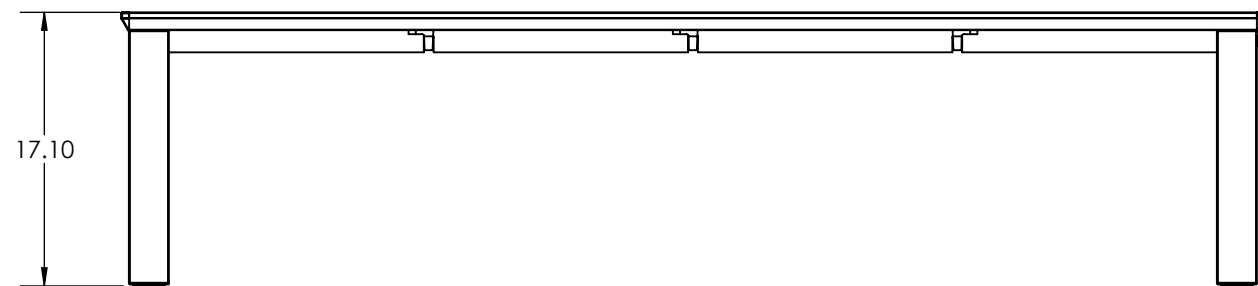
D  
C  
B  
A



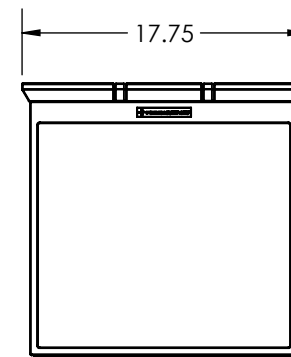
TOP VIEW



ISO VIEW



FRONT VIEW



SIDE VIEW

**NOTE(S):**  
 1.ALUMINUM SLATS ARE SHOWN AS FLAT WITHOUT RIDGES FOR CLEAR VISIBILITY.

**CUSTOMER APPROVAL:**

X \_\_\_\_\_

**DATE:**

X \_\_\_\_\_

<b>UNLESS OTHERWISE SPECIFIED:</b> 1. PRIMARY DIM. ARE IN INCHES & SECONDARY [DIM] IN MM 2. TOLERANCES FRACTIONAL: ±1/32; ANGULAR/BEND: ±1° TWO PLACE DECIMAL ±.030 THREE PLACE DECIMAL ±.020 3.REMOVE ALL BURRS AND SHARP EDGES		30 Pine Street, Pittsburgh, PA 15223 Tel (412) 781-9003 Fax (412) 385-4715	
THIRD ANGLE PROJECTION		NAME DWN LJK CHK MGJ	DATE 06/21/2021 06/21/2021
MATERIAL: REFER DATA SHEET		DO NOT SCALE DRAWING	
FINISH: - REFER DATA SHEET		<b>PROPRIETARY AND CONFIDENTIAL</b> THE INFORMATION CONTAINED IN THIS DRAWING IS THE SOLE PROPERTY OF FORMS + SURFACES. ANY REPRODUCTION IN PART OR AS A WHOLE WITHOUT WRITTEN PERMISSION IS PROHIBITED.	
WEIGHT: - REFER DATA SHEET		SIZE B	DWG. NO. SBAPX-72SQA-FRS-CS
SCALE: N.T.S		REV 0	SHEET 1 OF 1

**DESCRIPTION:**  
**APEX BENCH**  
**STANDALONE, ALUMINUM, FREESTANDING**  
**SBAPX-72SQA,STANDALONE,FRS**

8 7 6 5 4 3 2 1

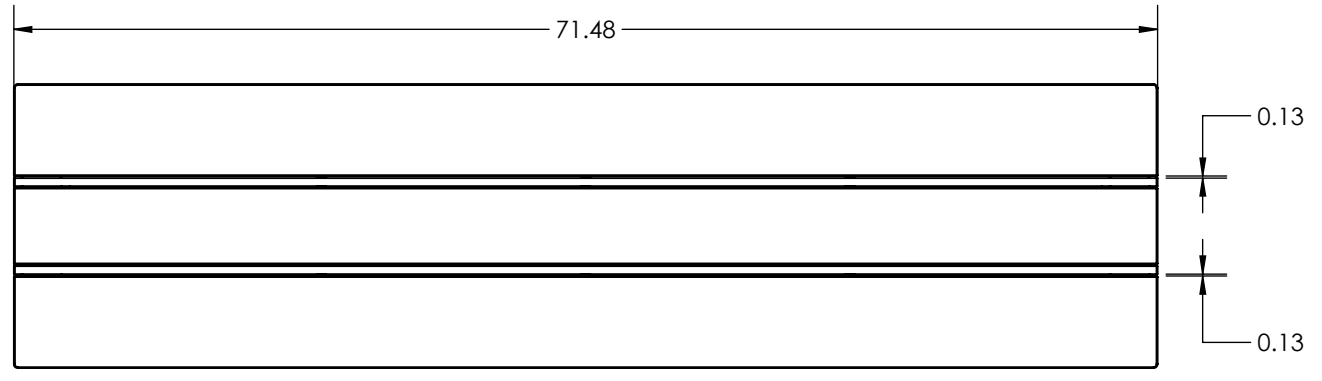
UPDATED ON: 06/21/2021

A

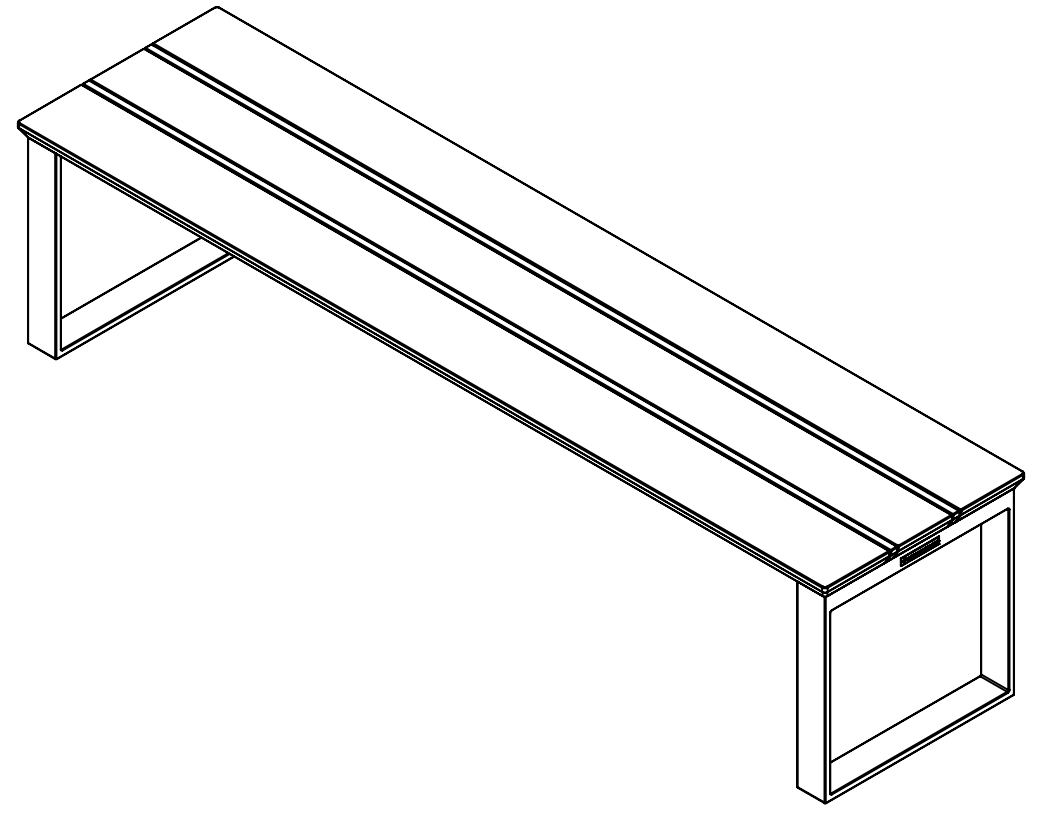
8 7 6 5 4 3 2 1

D  
C  
B  
A

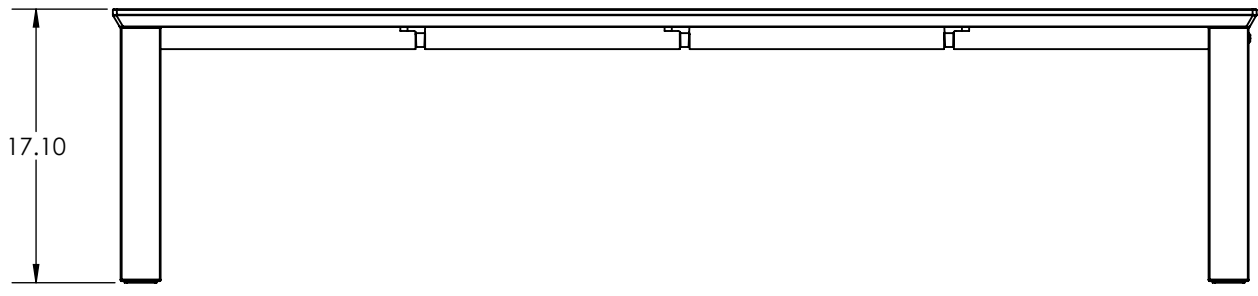
D  
C  
B  
A



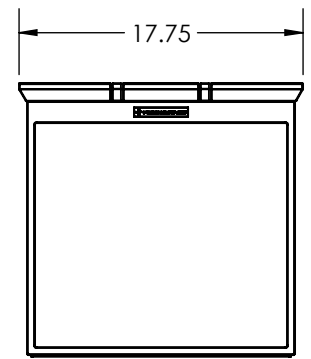
TOP VIEW



ISO VIEW



FRONT VIEW



SIDE VIEW

CUSTOMER APPROVAL:

X \_\_\_\_\_

DATE:

X \_\_\_\_\_

**UNLESS OTHERWISE SPECIFIED:**  
 1. PRIMARY DIM. ARE IN INCHES & SECONDARY [DIM] IN MM  
 2. TOLERANCES  
 FRACTIONAL: ±1/32; ANGULAR/BEND: ±1°  
 TWO PLACE DECIMAL ±.030  
 THREE PLACE DECIMAL ±.020  
 3. REMOVE ALL BURRS AND SHARP EDGES

THIRD ANGLE PROJECTION

MATERIAL: REFER DATA SHEET

FINISH: - REFER DATA SHEET

WEIGHT: - REFER DATA SHEET

SCALE: N.T.S



30 Pine Street, Pittsburgh, PA 15223  
 Tel (412) 781-9003 Fax (412) 385-4715

	NAME	DATE
DWN	LJK	06/21/2021
CHK	MGJ	06/21/2021

DESCRIPTION:			
<b>APEX BENCH</b>			
<b>STANDALONE, CUMARU, FREESTANDING</b>			
<b>SBAPX-72SQC, STANDALONE, FRS</b>			
SIZE	DWG. NO.	REV	SHEET
B	SBAPX-72SQC-FRS-CS	0	1 OF 1

8 7 6 5 4 3 2 1

UPDATED ON: 06/21/2021