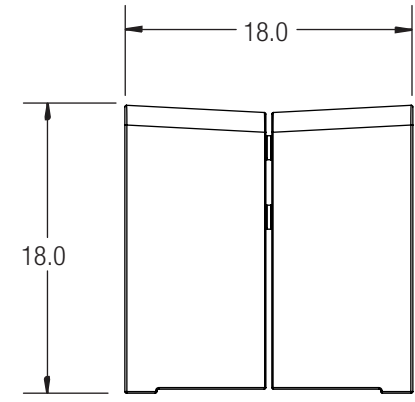
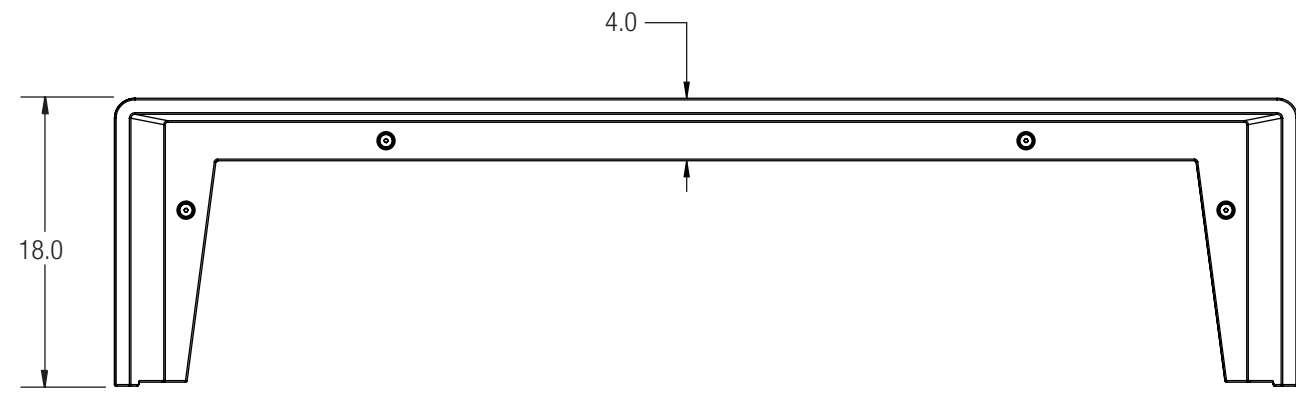
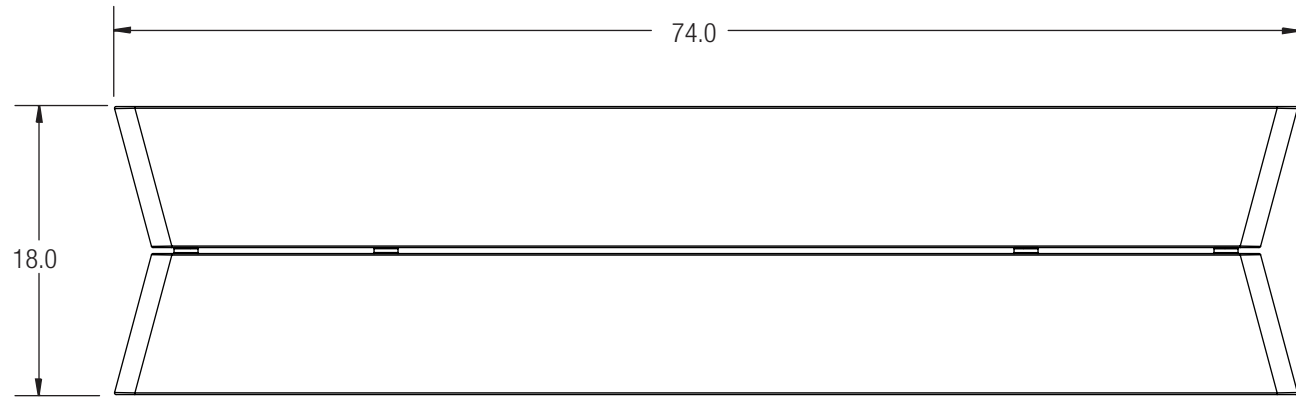


8 7 6 5 4 3 2 1

D
C
B
A



D
C
B
A

CUSTOMER APPROVAL:

X _____

DATE:

X _____

SLIGHT VARIATIONS IN COLOR AND SURFACE TEXTURE CAN OCCUR DUE TO THE NATURE OF THE TENSL MANUFACTURING PROCESS.

UNLESS OTHERWISE SPECIFIED, DIMENSIONS ARE IN INCHES
 TOLERANCES (UNLESS OTHERWISE SPECIFIED):
 FRACTIONAL: ±1/32
 ANGULAR/BEND: ±1°
 TWO PLACE DECIMAL ±.030
 THREE PLACE DECIMAL ±.020
 MATERIAL: SEE DATA SHEET
 FINISH: SEE DATA SHEET
 WEIGHT: SEE DATA SHEET
 SOURCE: M
 SCALE: N.T.S.

FORMS+SURFACES® 30 Pine Street, Pittsburgh, PA 15223
 Tel (800) 451-0410 Fax (412) 781-7840

DATE	09/09/2016
DO NOT SCALE DRAWING	
PROPRIETARY AND CONFIDENTIAL	
THE INFORMATION CONTAINED IN THIS DRAWING IS THE SOLE PROPERTY OF FORMS + SURFACES. ANY REPRODUCTION IN PART OR AS A WHOLE WITHOUT WRITTEN PERMISSION IS PROHIBITED.	

BEVEL BENCH 6 FOOT, BACKLESS SBBVL-74C			
SIZE	DWG. NO.	REV	SHEET
B	SBBVL-74C	0	1 OF 1

8 7 6 5 4 3 2 1