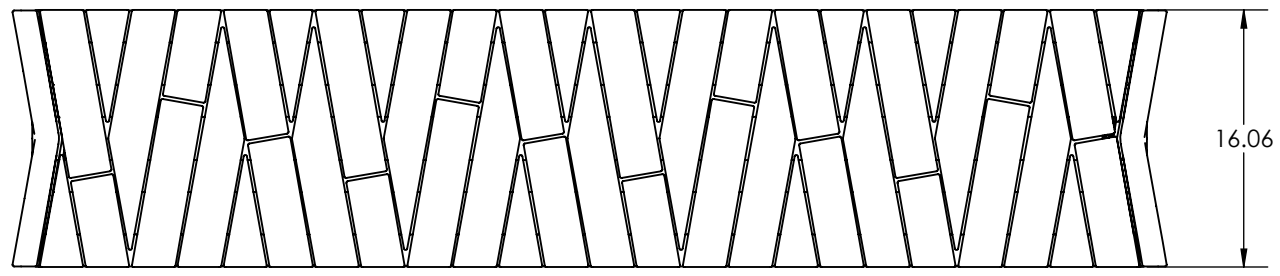
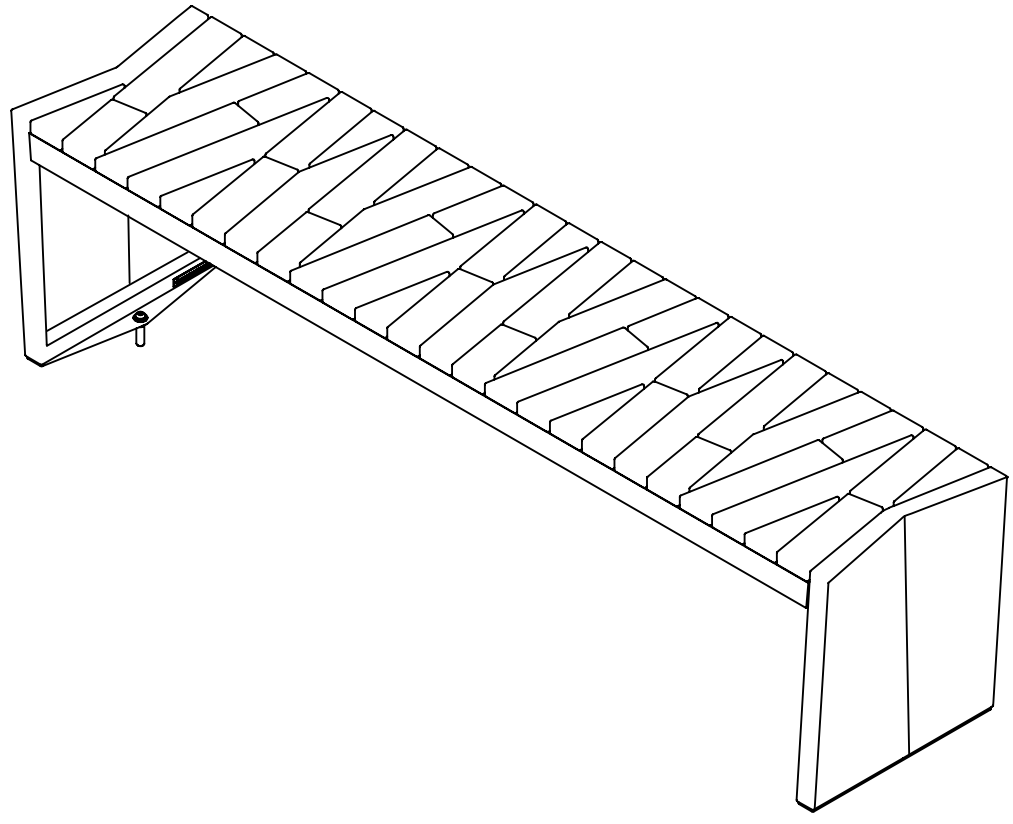


8 7 6 5 4 3 2 1

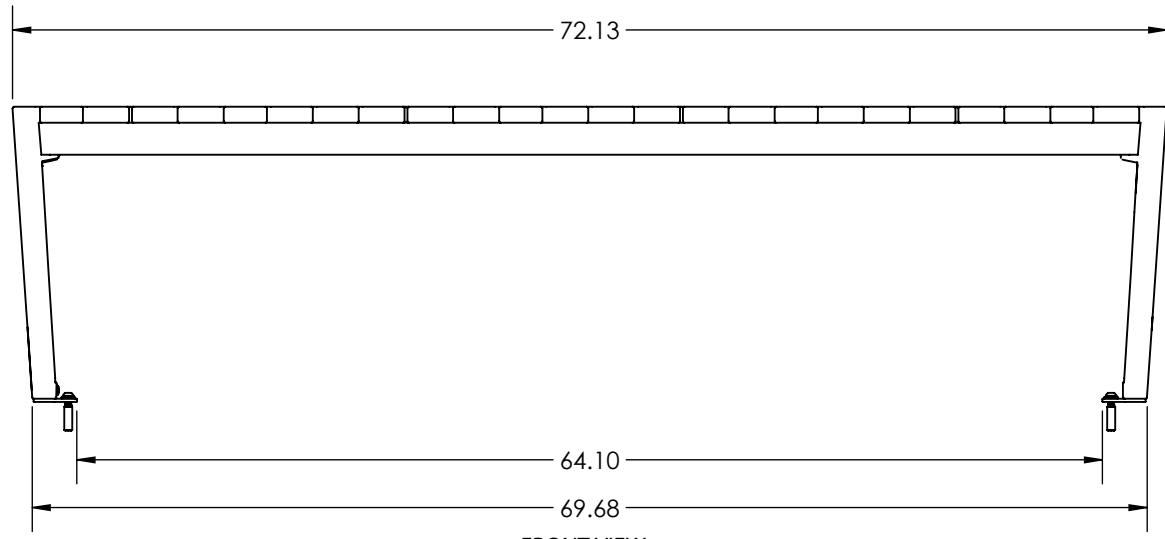
D
C
B
A



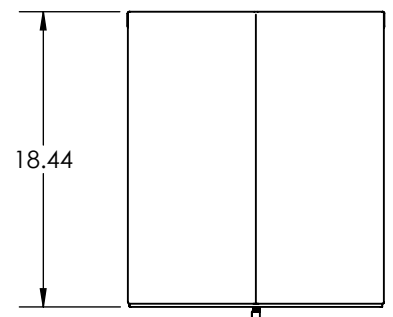
TOP VIEW



ISOMETRIC VIEW



FRONT VIEW



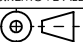
SIDE VIEW

CUSTOMER APPROVAL:

X _____

DATE:

X _____

UNLESS OTHERWISE SPECIFIED:
 1. PRIMARY DIM. ARE IN INCHES &
 SECONDARY [DIM] IN MM
 2. TOLERANCES
 FRACTIONAL: ±1/32; ANGULAR/BEND: ±1°
 TWO PLACE DECIMAL ±.030
 THREE PLACE DECIMAL ±.020
 3. REMOVE ALL BURRS AND SHARP EDGES
 THIRD ANGLE PROJECTION
 MATERIAL: SEE DATA SHEET
 FINISH: SEE DATA SHEET
 WEIGHT: SEE DATA SHEET
 SCALE: NOT TO SCALE



30 Pine Street, Pittsburgh, PA 15223
 Tel (412) 781-9003 Fax (412) 781-7840

NAME	DATE
DWN DEF	3/22/2021
CHK	

DESCRIPTION:			
SBBWK-SM			
BOARDWALK BENCH, SURFACE MOUNT			
SIZE	DWG. NO.	REV	SHEET
B	SBBWK-SM-CS	0	1 OF 1

8 7 6 5 4 3 2 1