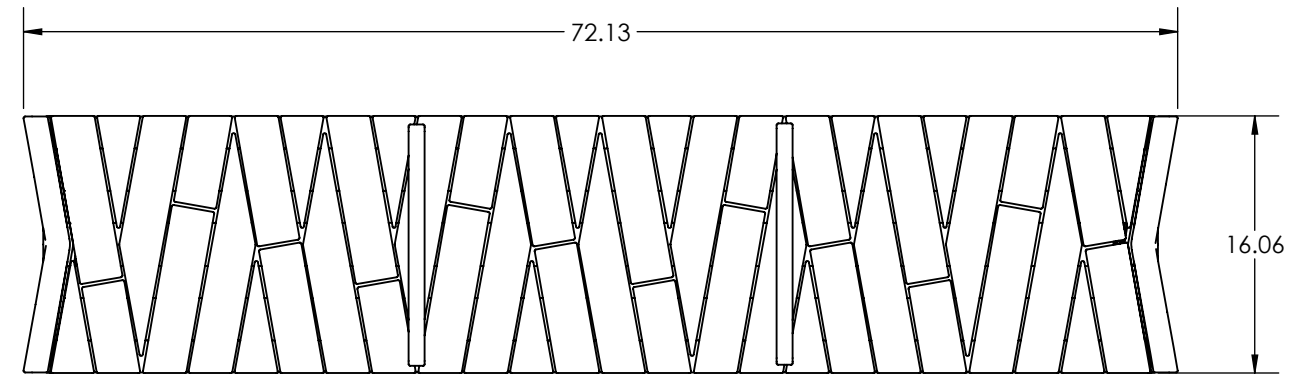
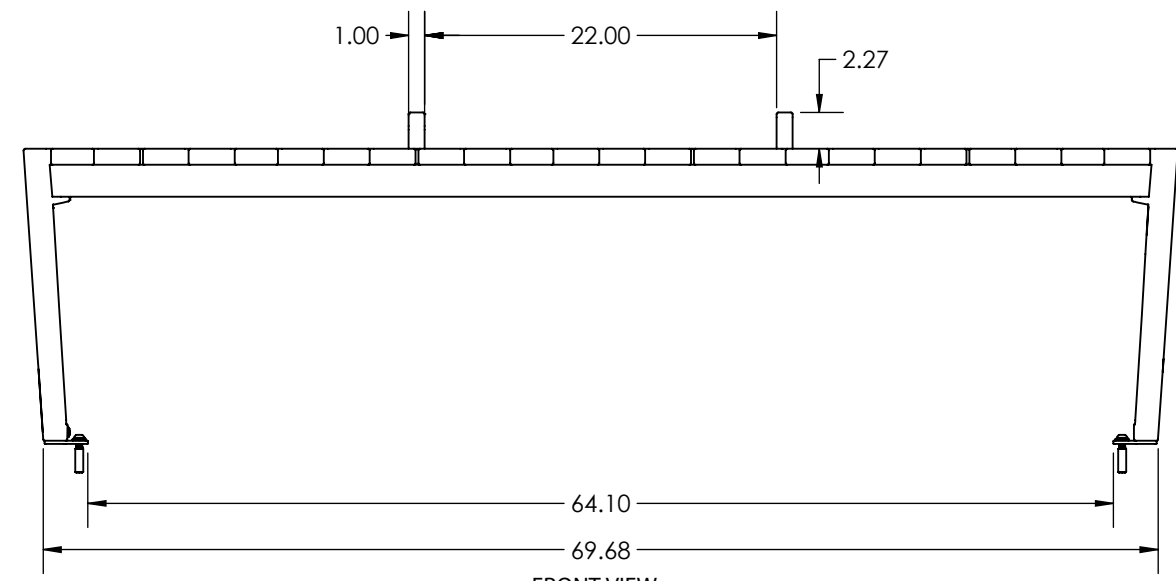


8 7 6 5 4 3 2 1

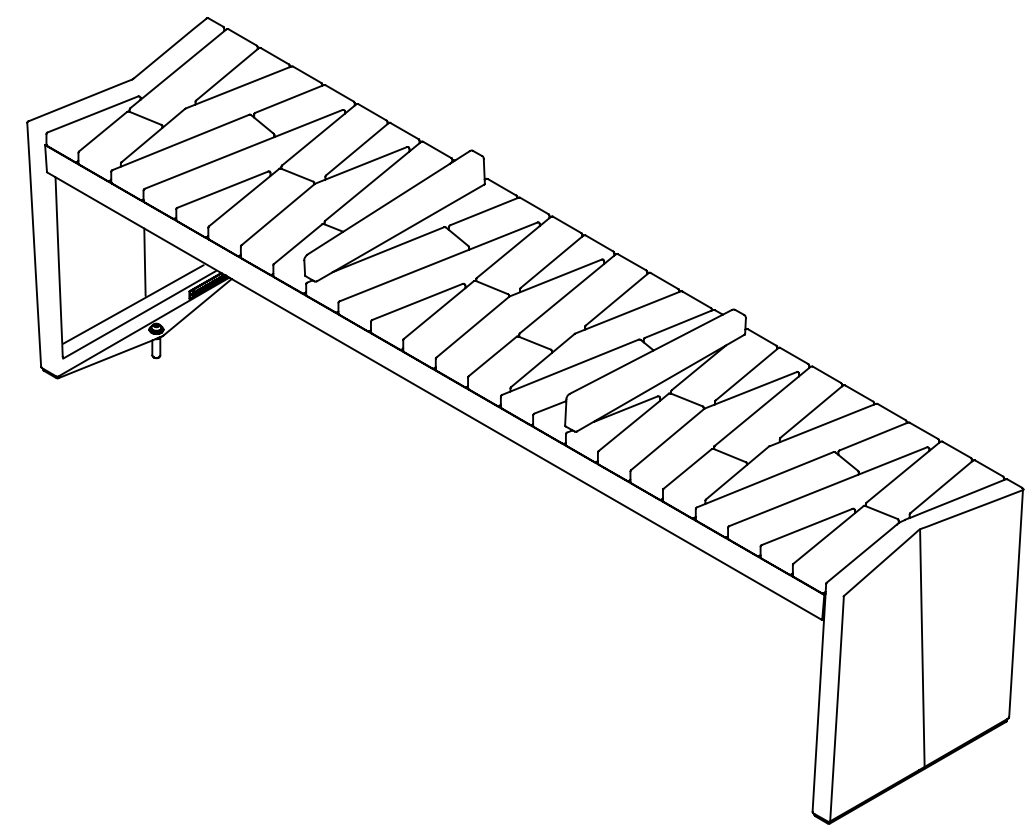
D
C
B
A



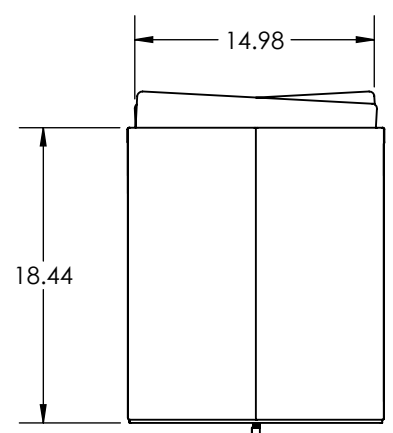
TOP VIEW



FRONT VIEW



ISOMETRIC VIEW



SIDE VIEW

CUSTOMER APPROVAL:

X _____

DATE:

X _____

<small>UNLESS OTHERWISE SPECIFIED: 1. PRIMARY DIM. ARE IN INCHES & SECONDARY [DIM] IN MM 2. TOLERANCES FRACTIONAL: ±1/32; ANGULAR/BEND: ±1° TWO PLACE DECIMAL ±.030 THREE PLACE DECIMAL ±.020 3. REMOVE ALL BURRS AND SHARP EDGES THIRD ANGLE PROJECTION</small>			30 Pine Street, Pittsburgh, PA 15223 Tel (412) 781-9003 Fax (412) 781-7840		
	NAME	DATE	DESCRIPTION:		
	DWN	DEF	3/22/2021	SBBWK-SMA BOARDWALK BENCH W/SEAT DIVIDERS, SURFACE MOUNT	
	CHK				
MATERIAL: SEE DATA SHEET	DO NOT SCALE DRAWING		SIZE	DWG. NO.	
FINISH: SEE DATA SHEET	PROPRIETARY AND CONFIDENTIAL		B	SBBWK-SMA-CS	
WEIGHT: SEE DATA SHEET	THE INFORMATION CONTAINED IN THIS DRAWING IS THE SOLE PROPERTY OF FORMS + SURFACES. ANY REPRODUCTION IN PART OR AS A WHOLE WITHOUT WRITTEN PERMISSION IS PROHIBITED.		REV	SHEET	
SCALE: NOT TO SCALE			0	1 OF 1	

8 7 6 5 4 3 2 1