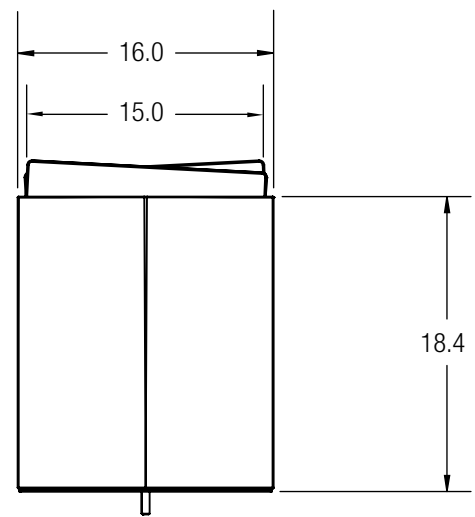
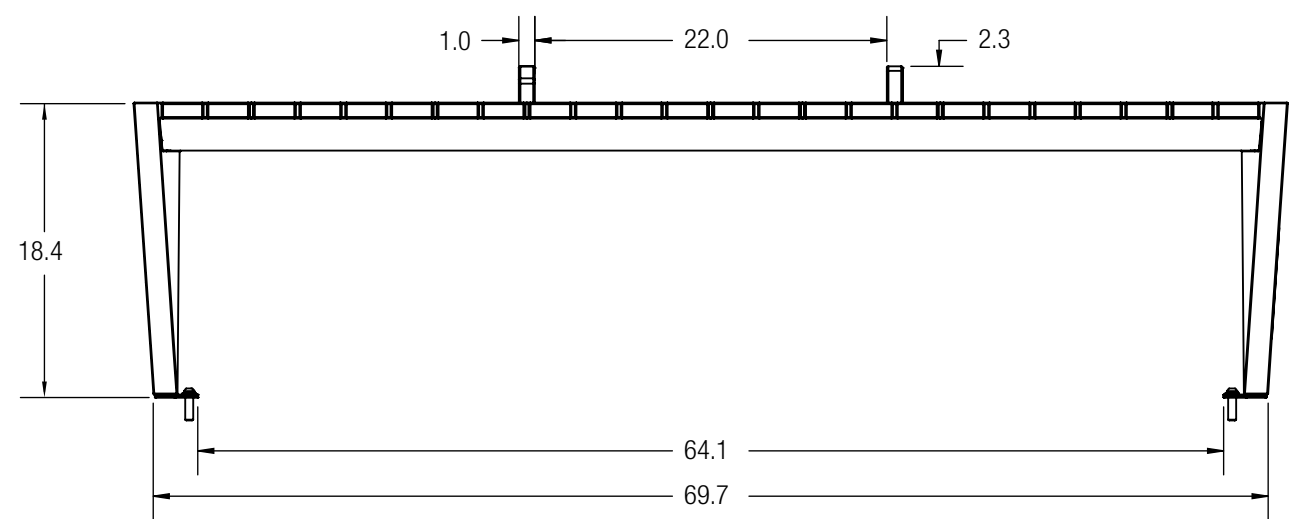
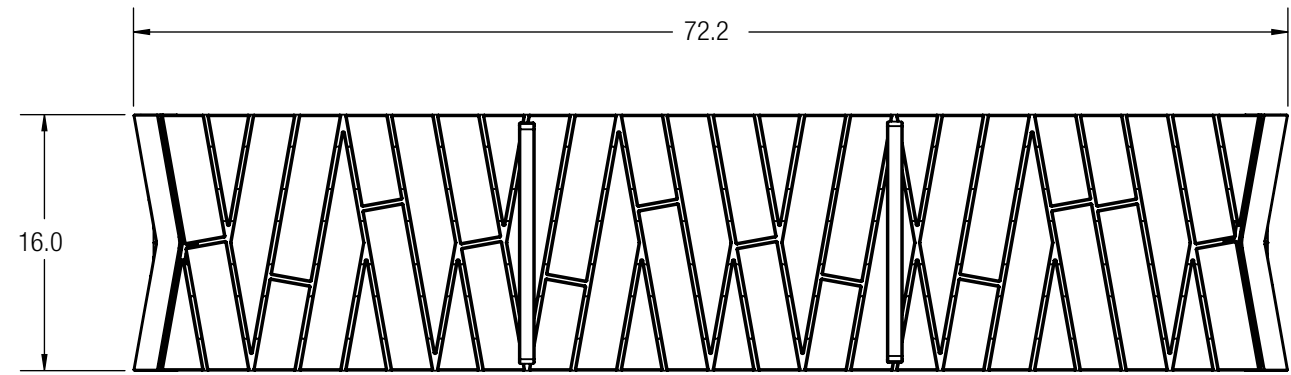


8 7 6 5 4 3 2 1



D
C
B
A

D
C
B
A

CUSTOMER APPROVAL:

 X
 DATE:

 X

UNLESS OTHERWISE SPECIFIED, DIMENSIONS ARE IN INCHES		FORMS+SURFACES ® 30 Pine Street, Pittsburgh, PA 15223 Tel (412) 781-9003 Fax (412) 781-7840	
TOLERANCES (UNLESS OTHERWISE SPECIFIED): FRACTIONAL: ±1/32 ANGULAR/BEND: ±1° TWO PLACE DECIMAL ±.030 THREE PLACE DECIMAL ±.020		NAME	DATE
MATERIAL: SEE DATA SHEET		DWN	ARW 05/24/13
FINISH: SEE DATA SHEET		DO NOT SCALE DRAWING	
WEIGHT: 157 LBS		PROPRIETARY AND CONFIDENTIAL	
SOURCE: MDW		THE INFORMATION CONTAINED IN THIS DRAWING IS THE SOLE PROPERTY OF FORMS + SURFACES. ANY REPRODUCTION IN PART OR AS A WHOLE WITHOUT WRITTEN PERMISSION IS PROHIBITED.	
SCALE: N.T.S.		DESCRIPTION:	REV
		BOARDWALK BENCH, SURFACE MOUNT, SEAT DIVIDERS SBBWK-SMA	000
		SIZE	SHEET
		B	1 OF 1

8 7 6 5 4 3 2 1

PRINTED: 10/30/2012