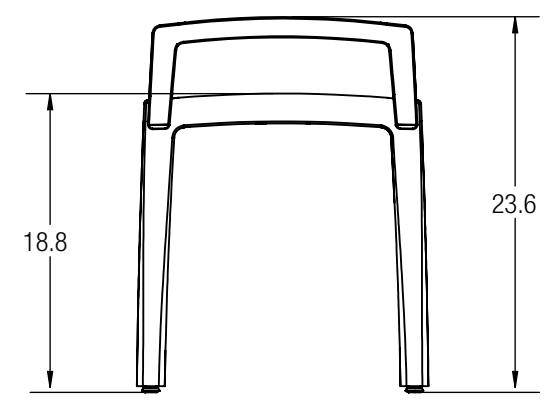
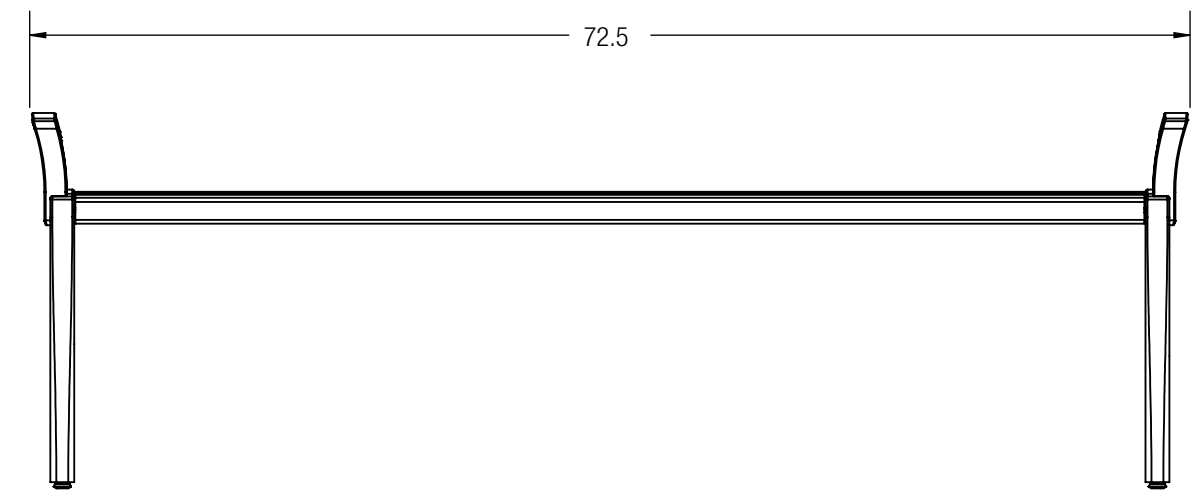
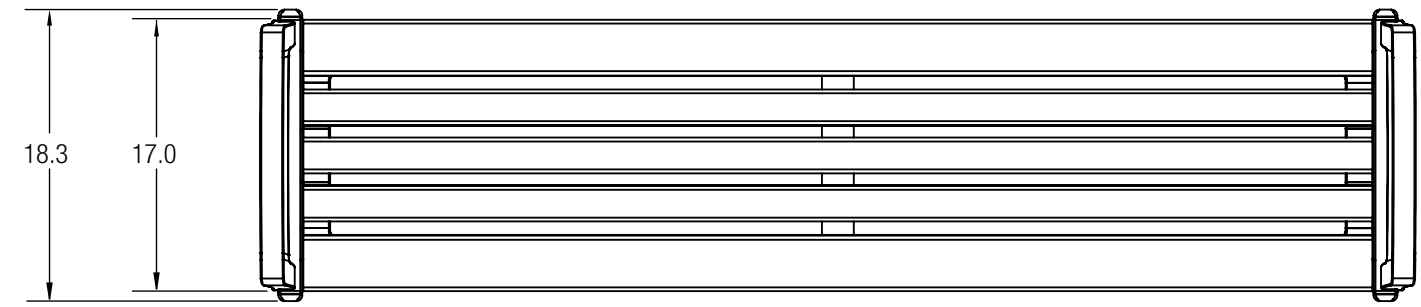


8 7 6 5 4 3 2 1

D
C
B
A



CUSTOMER APPROVAL:

X _____

DATE:

X _____

UNLESS OTHERWISE SPECIFIED,
DIMENSIONS ARE IN INCHES
TOLERANCES (UNLESS OTHERWISE
SPECIFIED):
FRACTIONAL: ±1/32
ANGULAR/BEND: ±1°*
TWO PLACE DECIMAL ±.030
THREE PLACE DECIMAL ±.020
MATERIAL: SEE DATA SHEET
FINISH: SEE DATA SHEET
WEIGHT: 85 LBS
SOURCE: MDW
SCALE: N.T.S.

FORMS+SURFACES® 30 Pine Street, Pittsburgh, PA 15223
Tel (412) 781-9003 Fax (412) 781-7840

NAME	DATE
DWN	EK 01/31/2014

**CORDIA BENCH, BACKLESS
ALUMINUM, FREESTANDING
SBCOR-72NA**

SIZE	DWG. NO.	REV	SHEET
B	SBCOR-72NA FS	0	1 OF 1

8 7 6 5 4 3 2 1

D
C
B
A

PRINTED: 9/18/2013