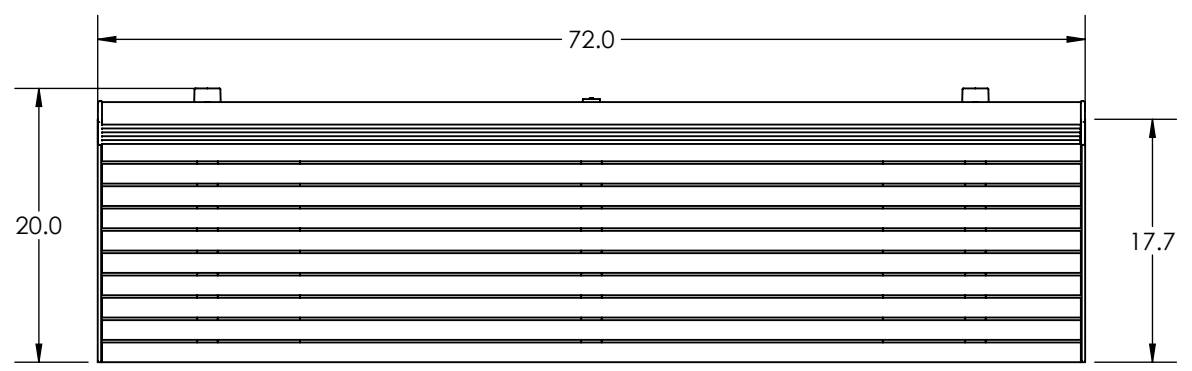
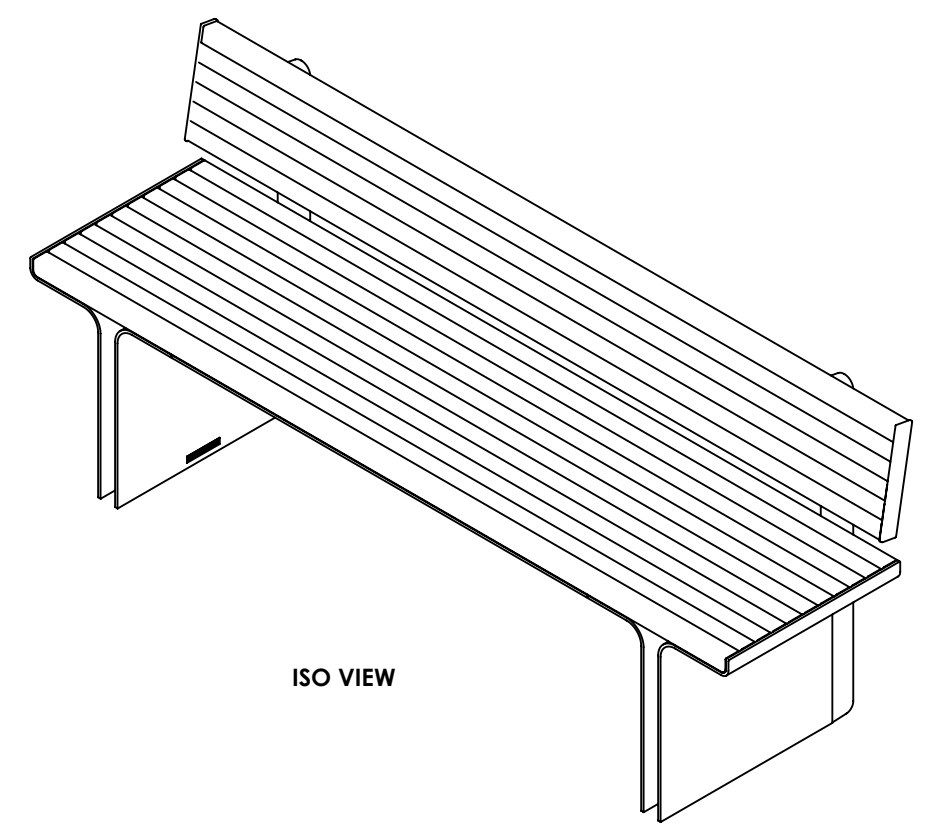


8 7 6 5 4 3 2 1

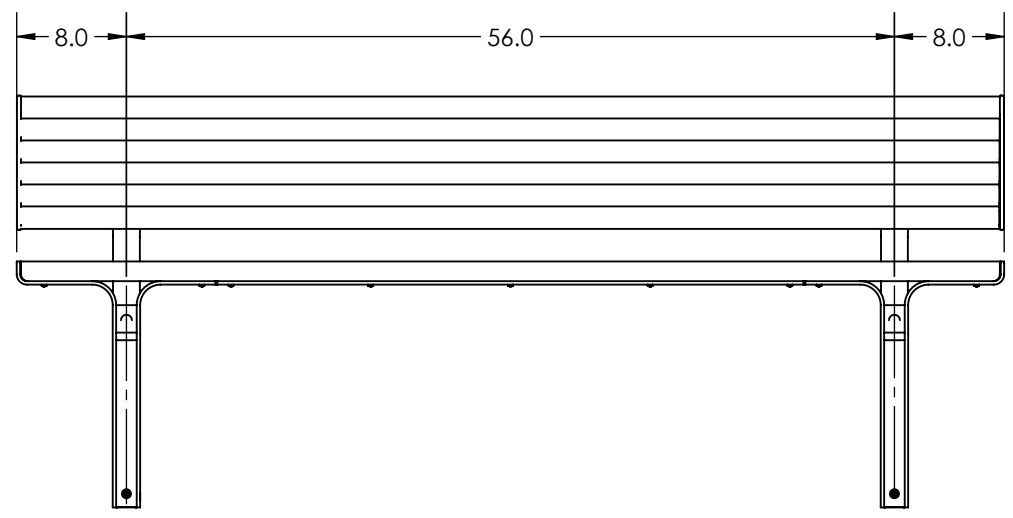
D  
C  
B  
A



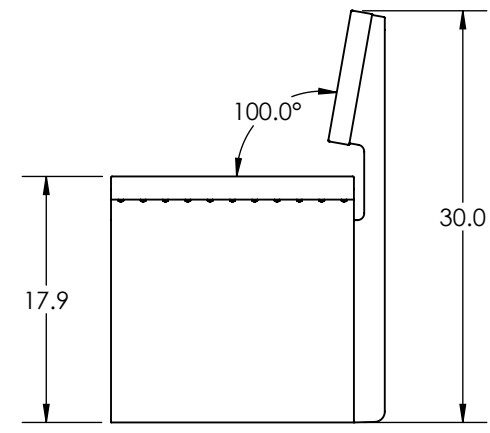
TOP VIEW



ISO VIEW



FRONT VIEW



SIDE VIEW

CUSTOMER APPROVAL:

X \_\_\_\_\_

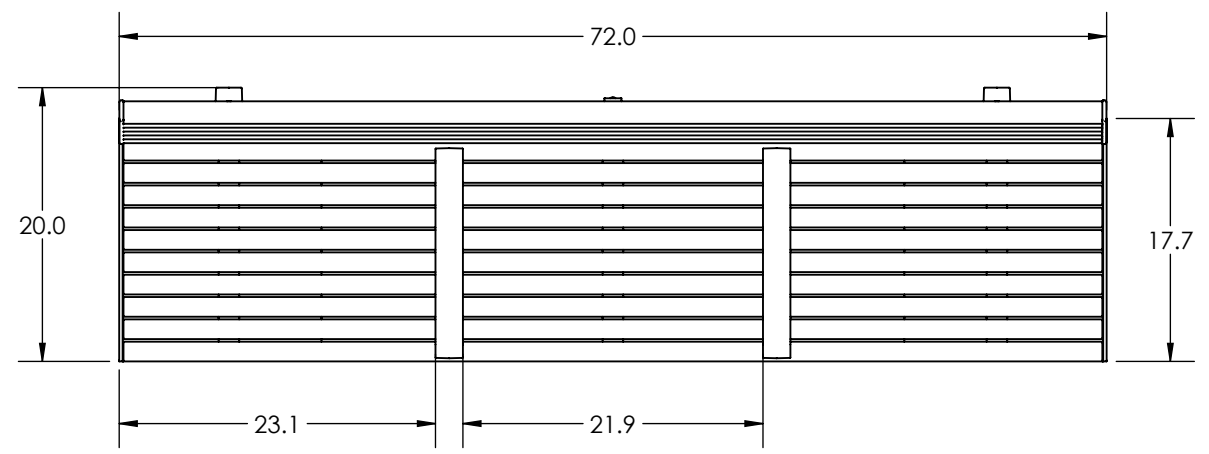
DATE:

X \_\_\_\_\_

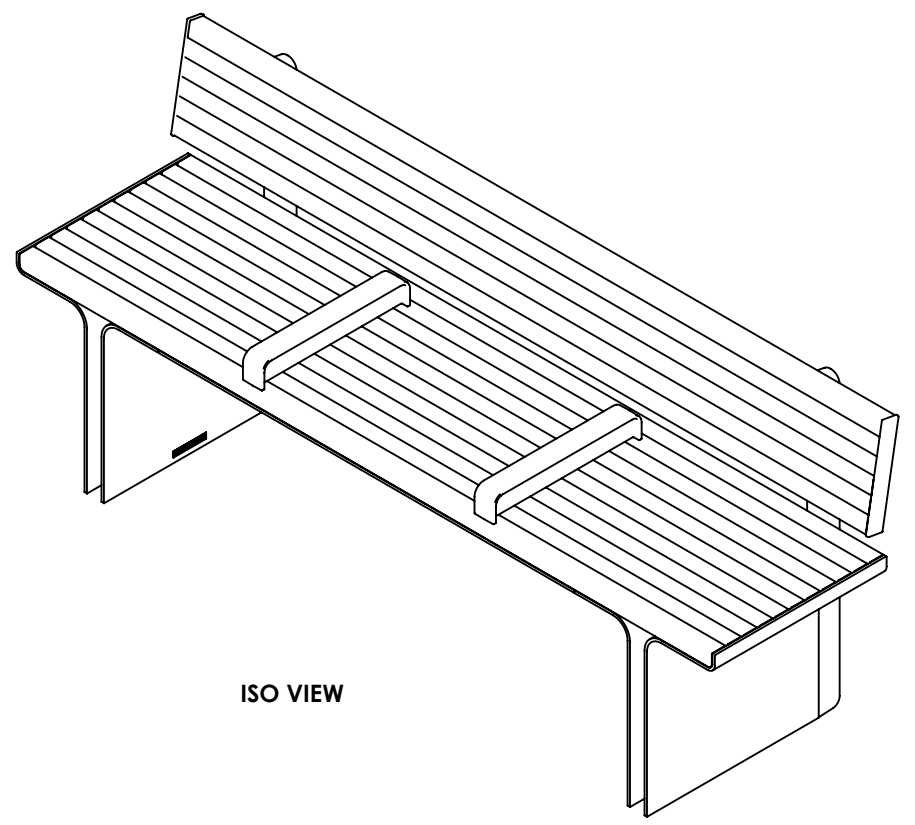
<b>UNLESS OTHERWISE SPECIFIED:</b> 1. PRIMARY DIM. ARE IN INCHES & SECONDARY [DIM] IN MM 2. TOLERANCES FRACTIONAL: ±1/32; ANGULAR/BEND: ±1° TWO PLACE DECIMAL ±.030 THREE PLACE DECIMAL ±.020 3. REMOVE ALL BURRS AND SHARP EDGES				<b>FORMS+SURFACES</b> 30 Pine Street, Pittsburgh, PA 15223 Tel (412) 781-9003 Fax (412) 781-7840	
MATERIAL: SEE DATA SHEET FINISH: SEE DATA SHEET WEIGHT: SEE DATA SHEET SCALE: NOT TO SCALE		DO NOT SCALE DRAWING <b>PROPRIETARY AND CONFIDENTIAL</b> THE INFORMATION CONTAINED IN THIS DRAWING IS THE SOLE PROPERTY OF FORMS + SURFACES. ANY REPRODUCTION IN PART OR AS A WHOLE WITHOUT WRITTEN PERMISSION IS PROHIBITED.		DESCRIPTION:  <p style="text-align: center;"><b>FLIGHT BENCH</b> <b>SBFLT,6FT,AL,BK,SFM</b></p>	
		NAME DWN ABM	DATE 04-16-2020	SIZE B	DWG. NO. SBFLT-72BA-CS
		CHK CHK MGJ	04-16-2020	REV 0	SHEET 1 OF 1

8 7 6 5 4 3 2 1

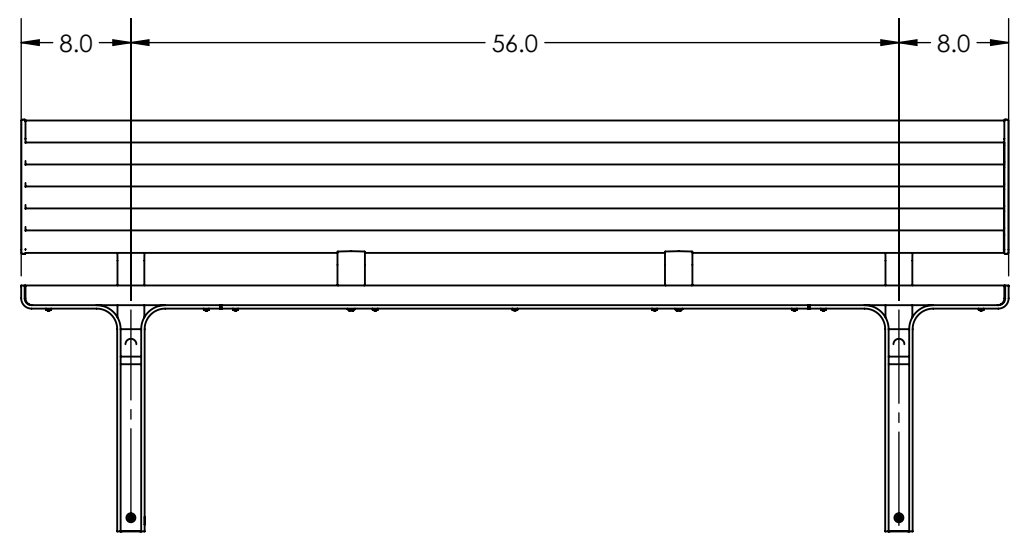
8 7 6 5 4 3 2 1



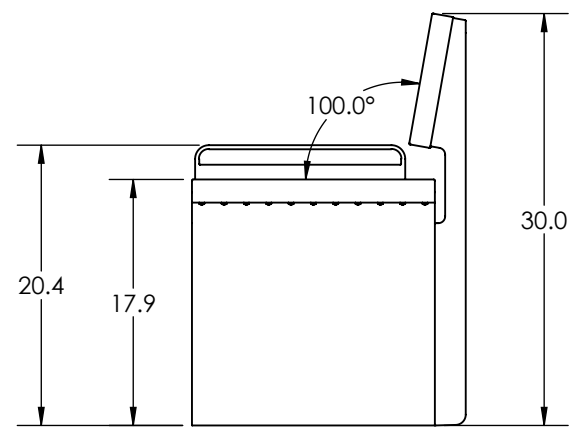
TOP VIEW



ISO VIEW



FRONT VIEW



SIDE VIEW

CUSTOMER APPROVAL:

X \_\_\_\_\_

DATE:

X \_\_\_\_\_

**UNLESS OTHERWISE SPECIFIED:**  
 1. PRIMARY DIM. ARE IN INCHES & SECONDARY [DIM] IN MM  
 2. TOLERANCES  
 FRACTIONAL: ±1/32; ANGULAR/BEND: ±1°  
 TWO PLACE DECIMAL ±.030  
 THREE PLACE DECIMAL ±.020  
 3. REMOVE ALL BURRS AND SHARP EDGES  
 THIRD ANGLE PROJECTION  
 MATERIAL: SEE DATA SHEET  
 FINISH: SEE DATA SHEET  
 WEIGHT: SEE DATA SHEET  
 SCALE: NOT TO SCALE

**FORMS+SURFACES** 30 Pine Street, Pittsburgh, PA 15223  
 Tel (412) 781-9003 Fax (412) 781-7840

	NAME	DATE
DWN	ABM	04-16-2020
CHK	MGJ	04-16-2020

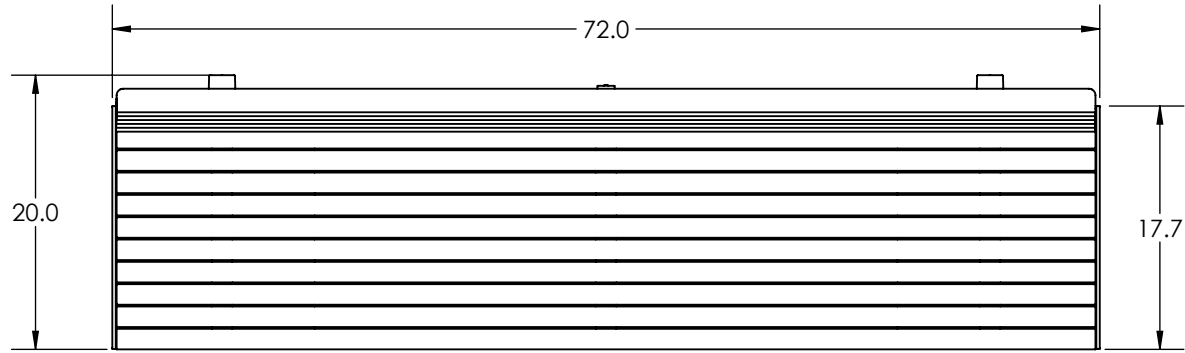
DO NOT SCALE DRAWING  
**PROPRIETARY AND CONFIDENTIAL**  
 THE INFORMATION CONTAINED IN THIS DRAWING IS THE SOLE PROPERTY OF FORMS + SURFACES. ANY REPRODUCTION IN PART OR AS A WHOLE WITHOUT WRITTEN PERMISSION IS PROHIBITED.

DESCRIPTION:			
<b>FLIGHT BENCH</b>			
<b>SBFLT,6FT,AL,BK,ARM,SFM</b>			
SIZE	DWG. NO.	REV	SHEET
B	SBFLT-72BA-ARM-CS	0	1 OF 1

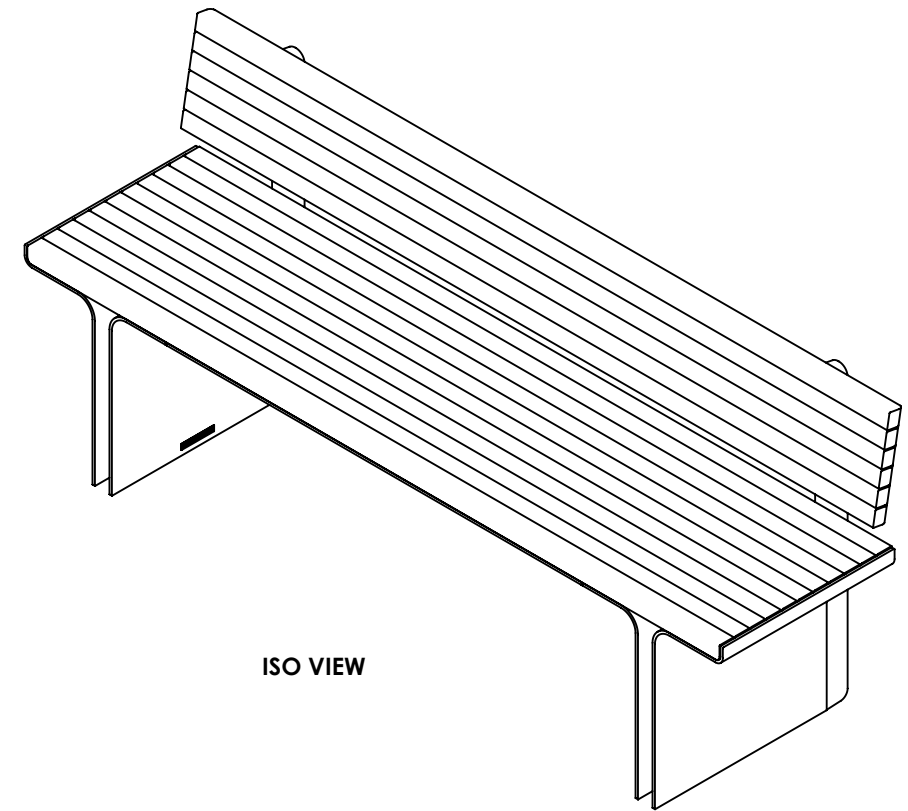
8 7 6 5 4 3 2 1

8 7 6 5 4 3 2 1

D



TOP VIEW



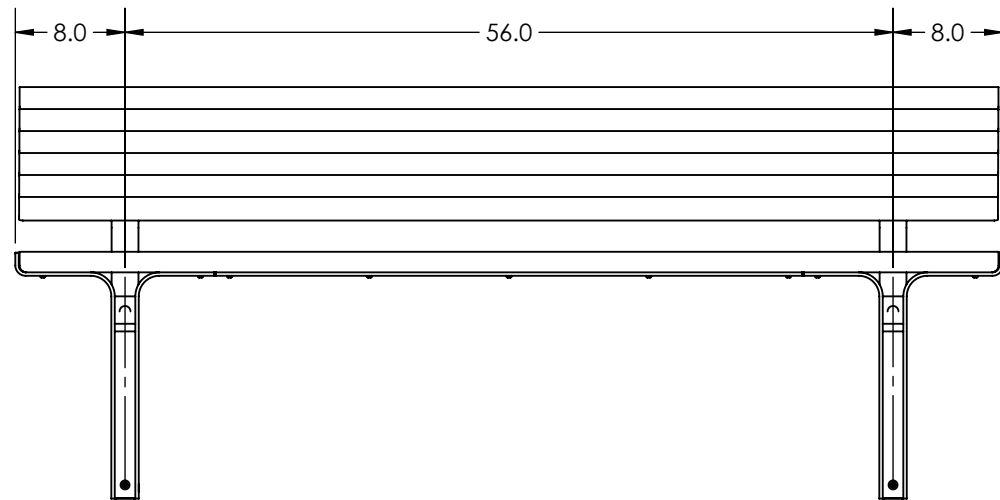
ISO VIEW

C

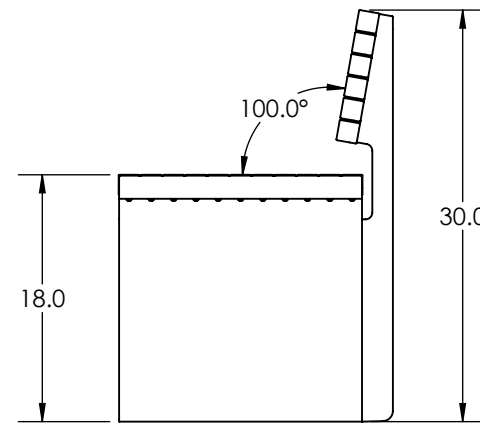
C

B

B



FRONT VIEW



SIDE VIEW

CUSTOMER APPROVAL:

X \_\_\_\_\_

DATE:

X \_\_\_\_\_

A

A

**UNLESS OTHERWISE SPECIFIED:**

- 1. PRIMARY DIM. ARE IN INCHES & SECONDARY [DIM] IN MM
- 2. TOLERANCES  
 FRACTIONAL: ±1/32; ANGULAR/BEND: ±1°  
 TWO PLACE DECIMAL ±.030  
 THREE PLACE DECIMAL ±.020  
 3. REMOVE ALL BURRS AND SHARP EDGES

THIRD ANGLE PROJECTION

MATERIAL: SEE DATA SHEET

FINISH: SEE DATA SHEET

WEIGHT: SEE DATA SHEET

SCALE: NOT TO SCALE



30 Pine Street, Pittsburgh, PA 15223  
Tel (412) 781-9003 Fax (412) 781-7840

NAME	DATE
DWN ABM	04-16-2020
CHK MGJ	04-16-2020

DESCRIPTION:

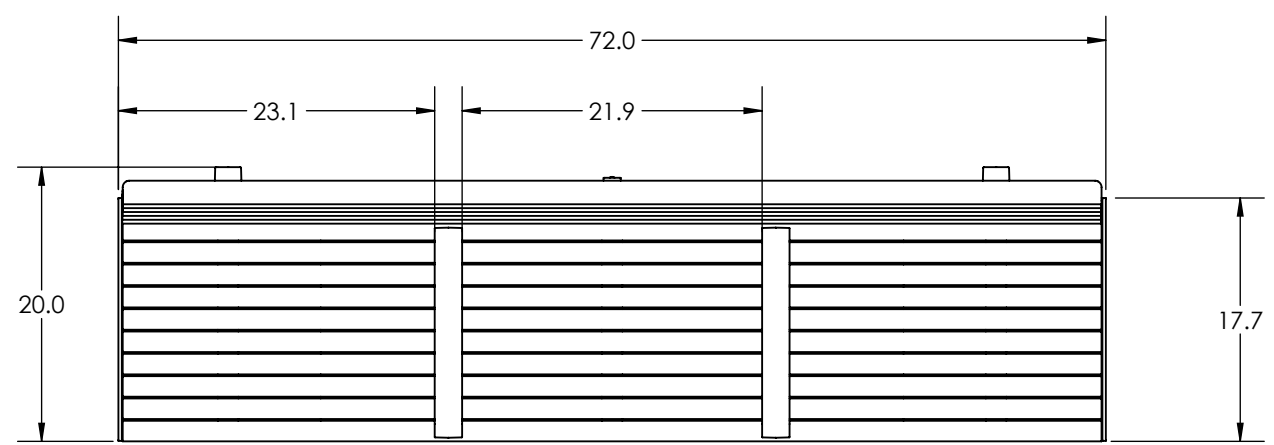
**FLIGHT BENCH  
SBFLT,6FT,WD,BK,SFM**

SIZE	DWG. NO.	REV	SHEET
B	SBFLT-72BC-CS	0	1 OF 1

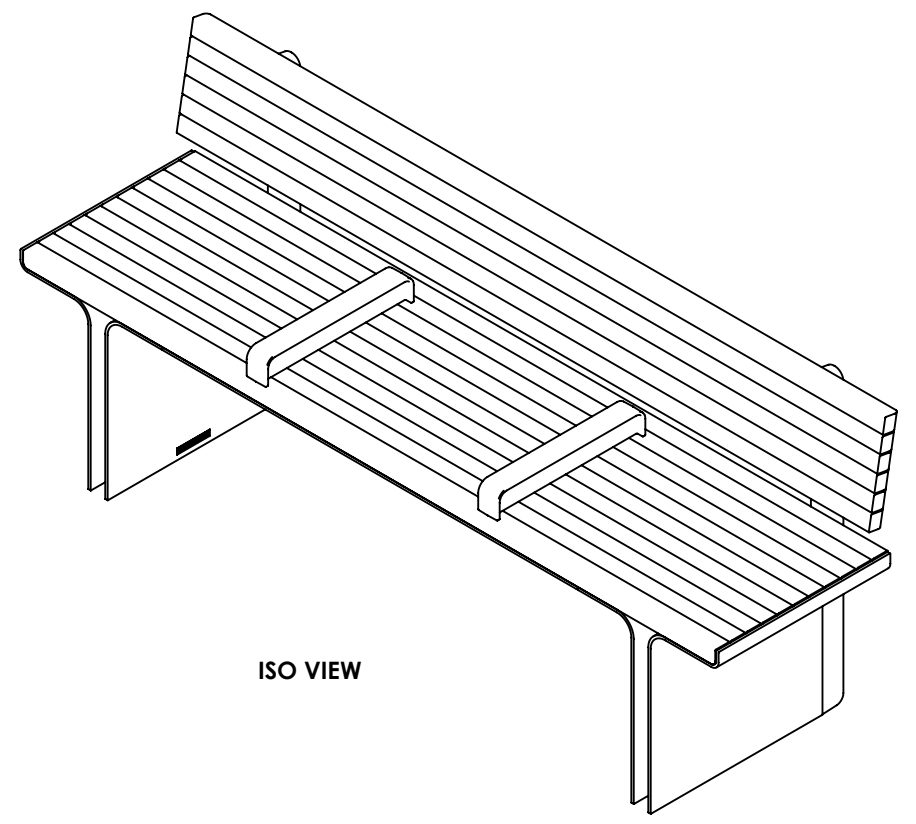
8 7 6 5 4 3 2 1

8 7 6 5 4 3 2 1

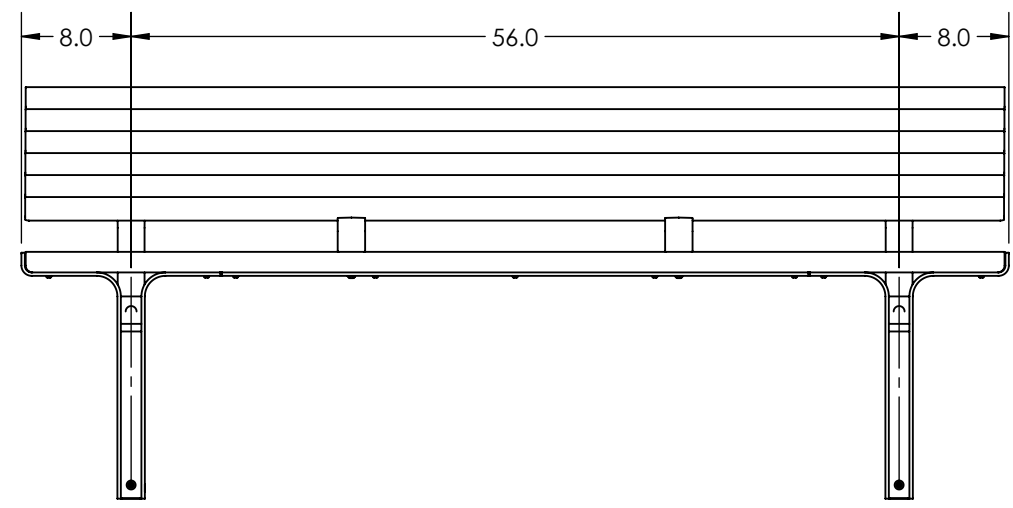
D  
C  
B  
A



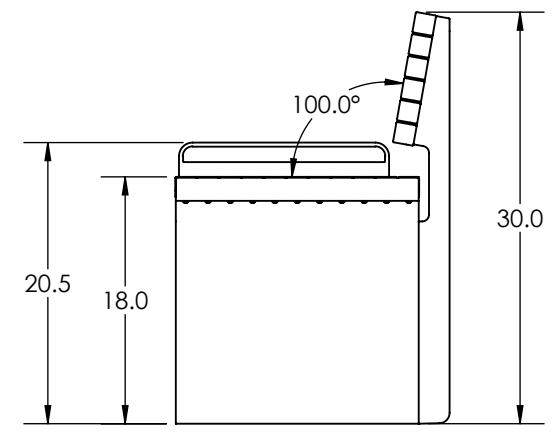
TOP VIEW



ISO VIEW



FRONT VIEW



SIDE VIEW

CUSTOMER APPROVAL:

X \_\_\_\_\_

DATE:

X \_\_\_\_\_

**UNLESS OTHERWISE SPECIFIED:**  
 1. PRIMARY DIM. ARE IN INCHES & SECONDARY [DIM] IN MM  
 2. TOLERANCES  
 FRACTIONAL: ±1/32; ANGULAR/BEND: ±1°  
 TWO PLACE DECIMAL ±.030  
 THREE PLACE DECIMAL ±.020  
 3. REMOVE ALL BURRS AND SHARP EDGES  
 THIRD ANGLE PROJECTION  
 MATERIAL: SEE DATA SHEET  
 FINISH: SEE DATA SHEET  
 WEIGHT: SEE DATA SHEET  
 SCALE: NOT TO SCALE



30 Pine Street, Pittsburgh, PA 15223  
 Tel (412) 781-9003 Fax (412) 781-7840

	NAME	DATE
DWN	ABM	04-16-2020
CHK	MGJ	04-16-2020

DO NOT SCALE DRAWING

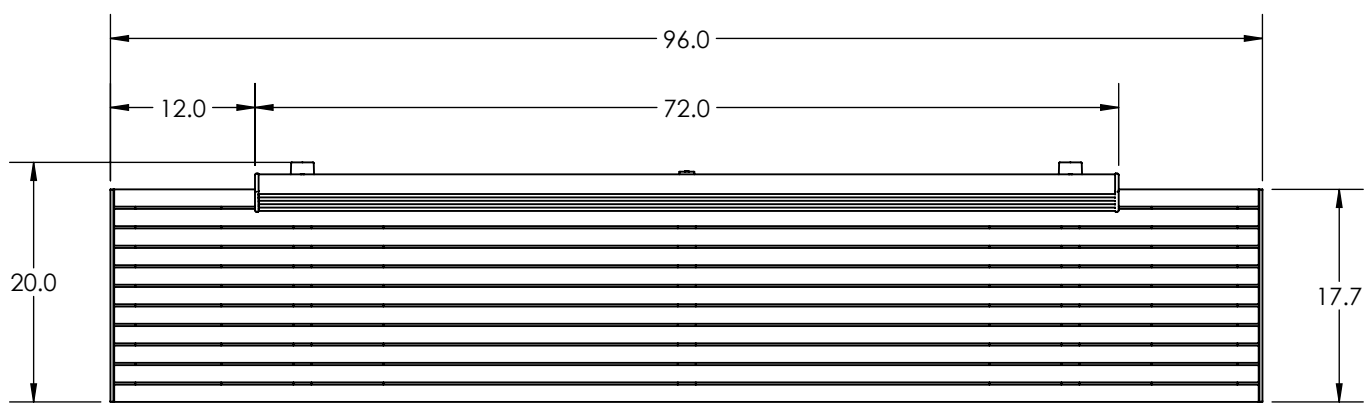
**PROPRIETARY AND CONFIDENTIAL**  
 THE INFORMATION CONTAINED IN THIS DRAWING IS THE SOLE PROPERTY OF FORMS + SURFACES. ANY REPRODUCTION IN PART OR AS A WHOLE WITHOUT WRITTEN PERMISSION IS PROHIBITED.

DESCRIPTION:			
<b>FLIGHT BENCH</b>			
<b>SBFLT,6FT,WD,BK,ARM,SFM</b>			
SIZE	DWG. NO.	REV	SHEET
B	SBFLT-72BC-ARM-CS	0	1 OF 1

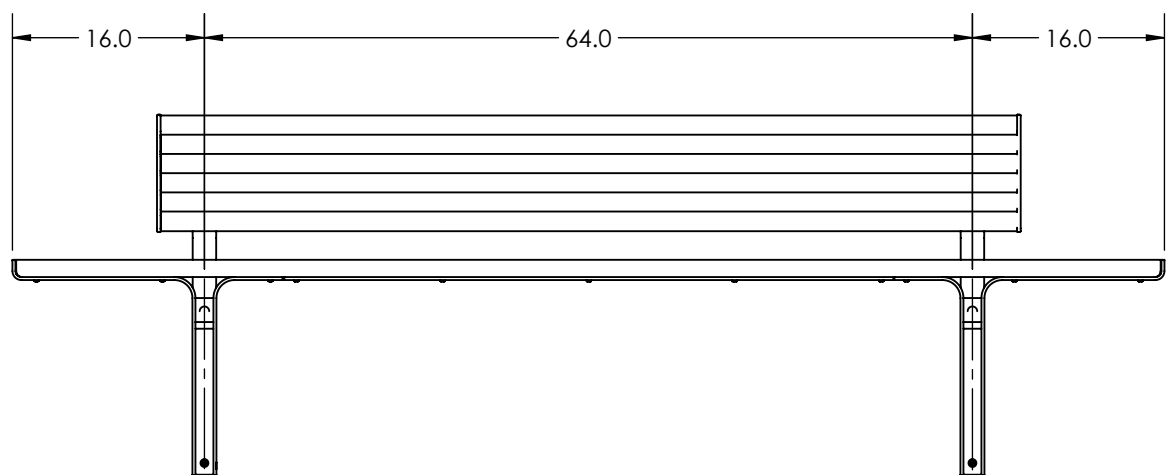
8 7 6 5 4 3 2 1

8 7 6 5 4 3 2 1

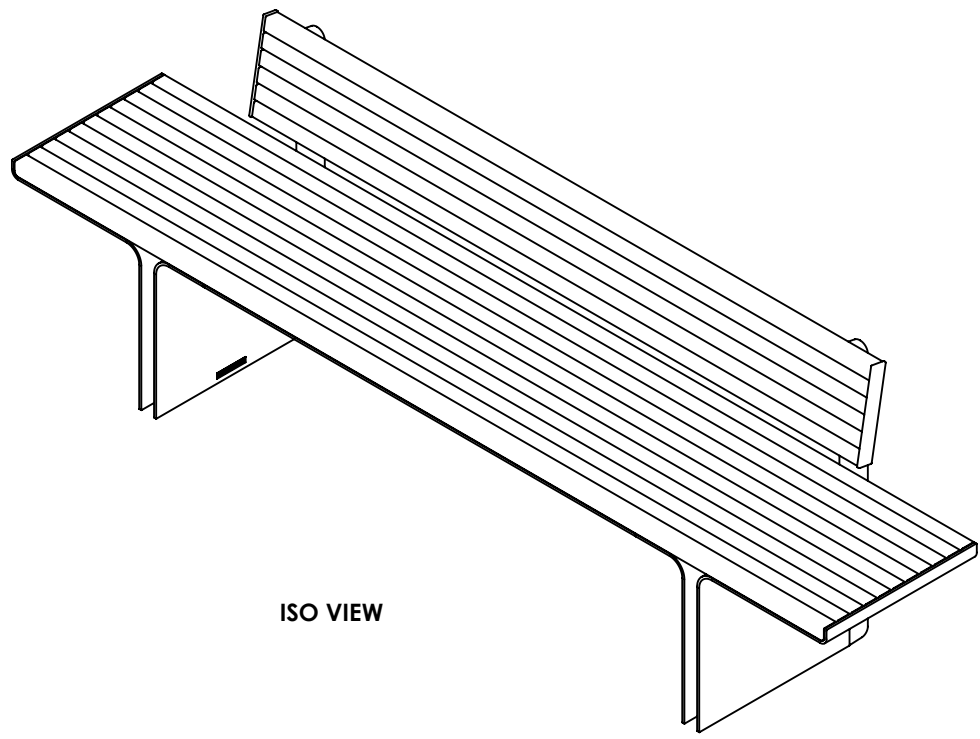
D  
C  
B  
A



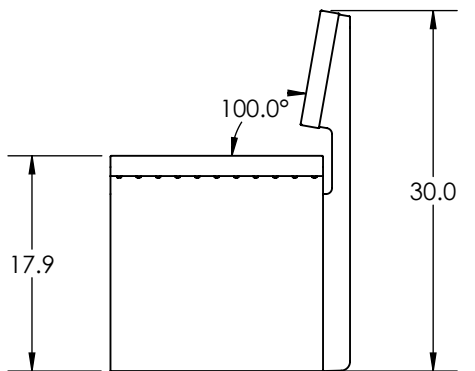
TOP VIEW



FRONT VIEW



ISO VIEW



SIDE VIEW

CUSTOMER APPROVAL:

X \_\_\_\_\_

DATE:

X \_\_\_\_\_

**UNLESS OTHERWISE SPECIFIED:**  
 1. PRIMARY DIM. ARE IN INCHES & SECONDARY [DIM] IN MM  
 2. TOLERANCES  
 FRACTIONAL: ±1/32; ANGULAR/BEND: ±1°  
 TWO PLACE DECIMAL ±.030  
 THREE PLACE DECIMAL ±.020  
 3. REMOVE ALL BURRS AND SHARP EDGES  
 THIRD ANGLE PROJECTION  
 MATERIAL: SEE DATA SHEET  
 FINISH: SEE DATA SHEET  
 WEIGHT: SEE DATA SHEET  
 SCALE: NOT TO SCALE

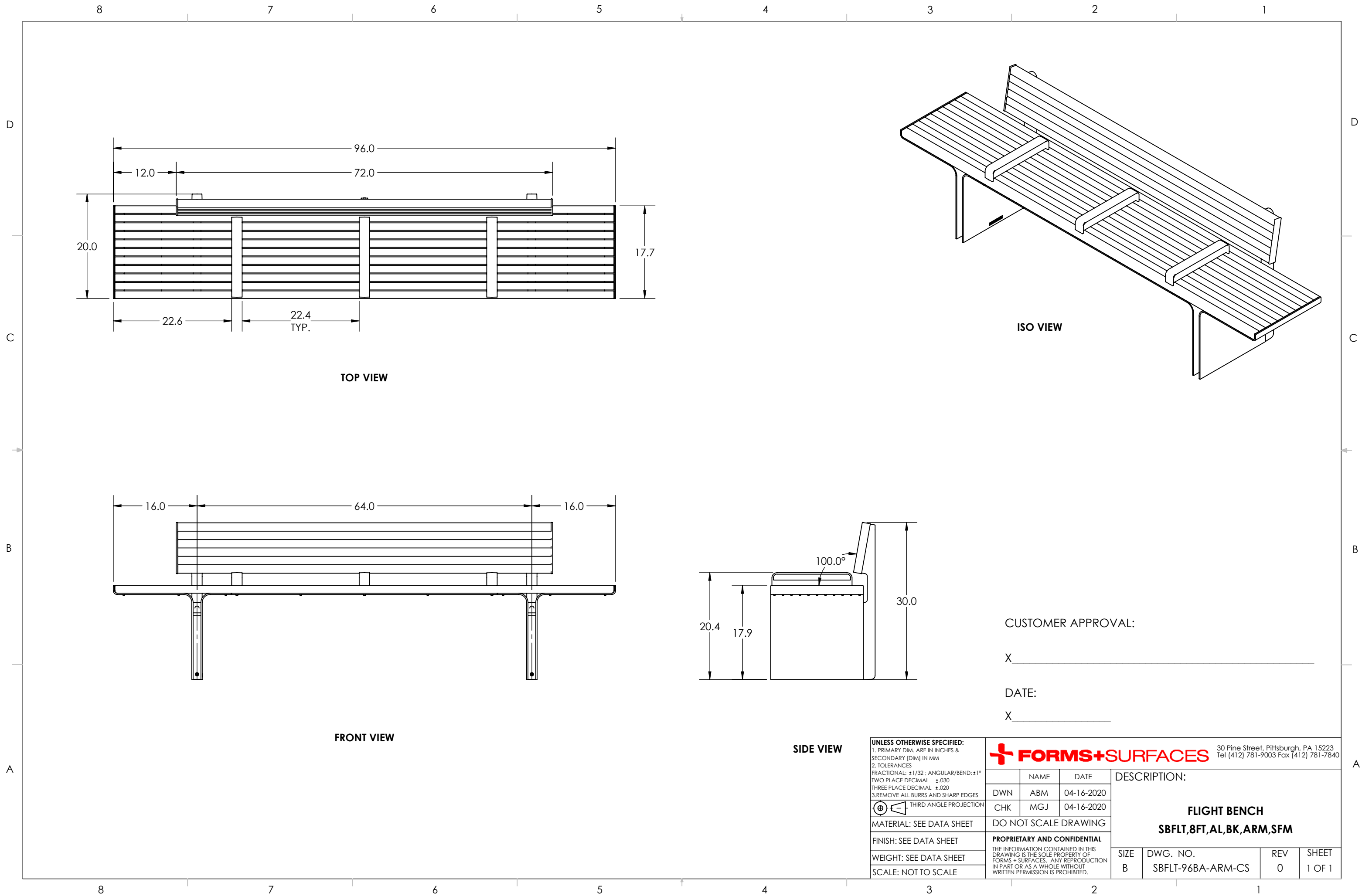


30 Pine Street, Pittsburgh, PA 15223  
 Tel (412) 781-9003 Fax (412) 781-7840

NAME	DATE
DWN ABM	04-16-2020
CHK MGJ	04-16-2020

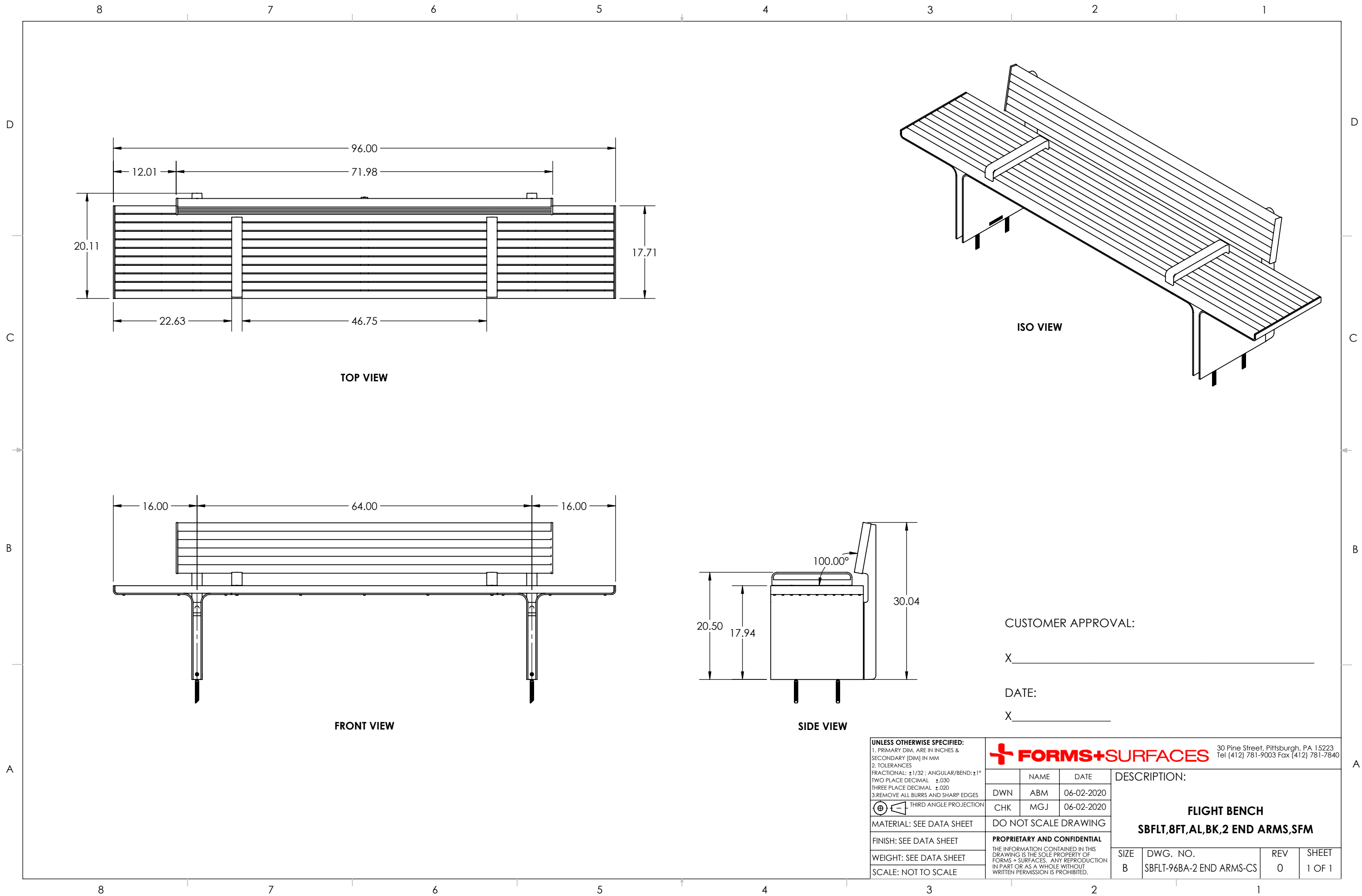
DESCRIPTION:			
<b>FLIGHT BENCH SBFLT,8FT,AL,BK,SFM</b>			
SIZE	DWG. NO.	REV	SHEET
B	SBFLT-96BA-CS	0	1 OF 1

8 7 6 5 4 3 2 1



CUSTOMER APPROVAL:  
X \_\_\_\_\_  
DATE:  
X \_\_\_\_\_

<b>UNLESS OTHERWISE SPECIFIED:</b> 1. PRIMARY DIM. ARE IN INCHES & SECONDARY [DIM] IN MM 2. TOLERANCES FRACTIONAL: ±1/32; ANGULAR/BEND: ±1° TWO PLACE DECIMAL ±.030 THREE PLACE DECIMAL ±.020 3. REMOVE ALL BURRS AND SHARP EDGES THIRD ANGLE PROJECTION		<b>FORMS+SURFACES</b> 30 Pine Street, Pittsburgh, PA 15223 Tel (412) 781-9003 Fax (412) 781-7840															
MATERIAL: SEE DATA SHEET FINISH: SEE DATA SHEET WEIGHT: SEE DATA SHEET SCALE: NOT TO SCALE		<table border="1"> <thead> <tr> <th>NAME</th> <th>DATE</th> </tr> </thead> <tbody> <tr> <td>DWN ABM</td> <td>04-16-2020</td> </tr> <tr> <td>CHK MGJ</td> <td>04-16-2020</td> </tr> </tbody> </table>	NAME	DATE	DWN ABM	04-16-2020	CHK MGJ	04-16-2020	DESCRIPTION:  <p align="center"><b>FLIGHT BENCH</b> <b>SBFLT,8FT,AL,BK,ARM,SFM</b></p> <table border="1"> <thead> <tr> <th>SIZE</th> <th>DWG. NO.</th> <th>REV</th> <th>SHEET</th> </tr> </thead> <tbody> <tr> <td>B</td> <td>SBFLT-96BA-ARM-CS</td> <td>0</td> <td>1 OF 1</td> </tr> </tbody> </table>	SIZE	DWG. NO.	REV	SHEET	B	SBFLT-96BA-ARM-CS	0	1 OF 1
NAME	DATE																
DWN ABM	04-16-2020																
CHK MGJ	04-16-2020																
SIZE	DWG. NO.	REV	SHEET														
B	SBFLT-96BA-ARM-CS	0	1 OF 1														



**UNLESS OTHERWISE SPECIFIED:**  
 1. PRIMARY DIM. ARE IN INCHES & SECONDARY [DIM] IN MM  
 2. TOLERANCES  
 FRACTIONAL: ±1/32; ANGULAR/BEND: ±1°  
 TWO PLACE DECIMAL ±.030  
 THREE PLACE DECIMAL ±.020  
 3. REMOVE ALL BURRS AND SHARP EDGES  
 THIRD ANGLE PROJECTION

MATERIAL: SEE DATA SHEET  
 FINISH: SEE DATA SHEET  
 WEIGHT: SEE DATA SHEET  
 SCALE: NOT TO SCALE



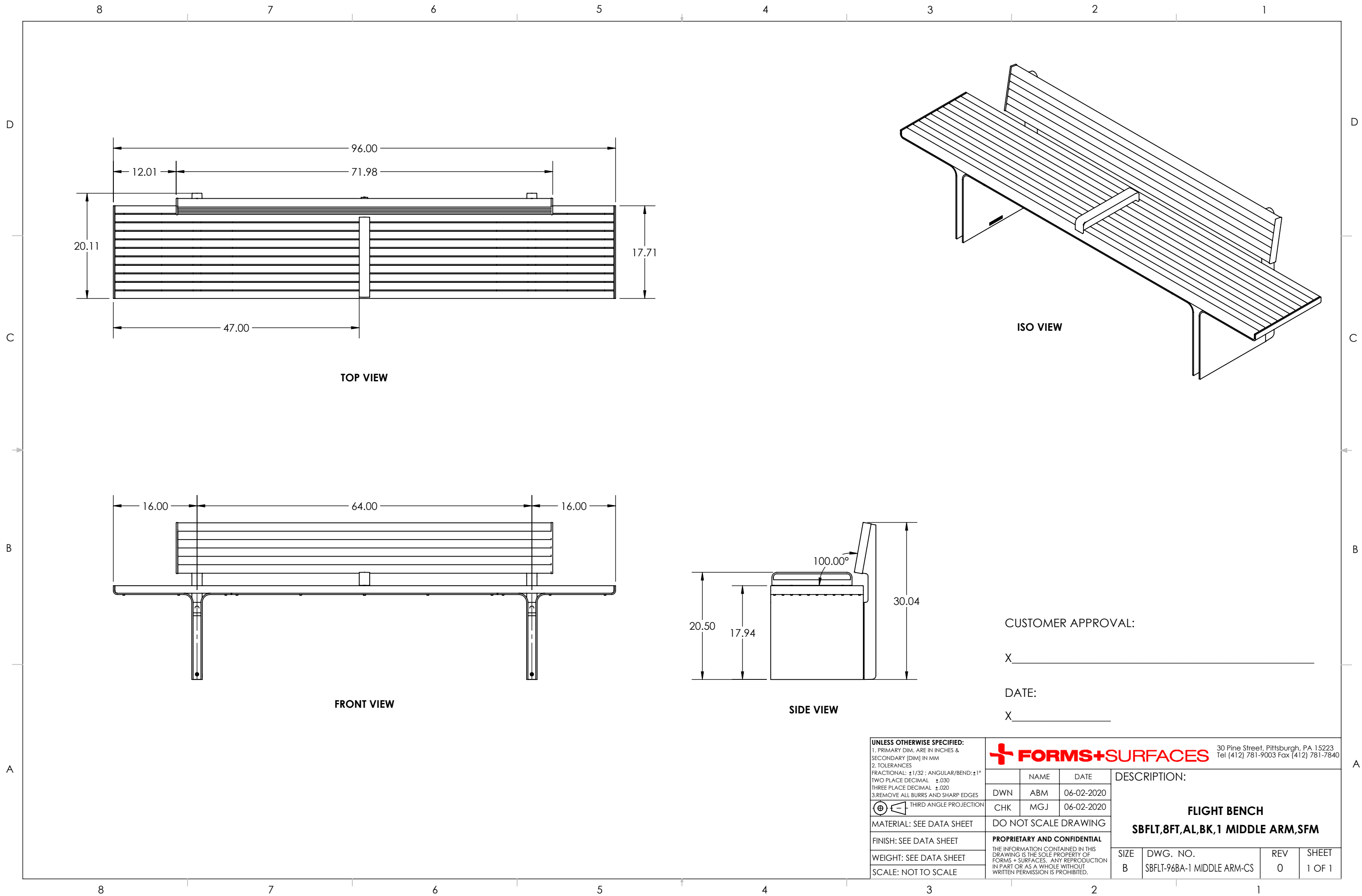
30 Pine Street, Pittsburgh, PA 15223  
 Tel (412) 781-9003 Fax (412) 781-7840

NAME	DATE
DWN ABM	06-02-2020
CHK MGJ	06-02-2020

DESCRIPTION:  
**FLIGHT BENCH**  
**SBFLT,8FT,AL,BK,2 END ARMS,SFM**

SIZE	DWG. NO.	REV	SHEET
B	SBFLT-96BA-2 END ARMS-CS	0	1 OF 1

**PROPRIETARY AND CONFIDENTIAL**  
 THE INFORMATION CONTAINED IN THIS DRAWING IS THE SOLE PROPERTY OF FORMS + SURFACES. ANY REPRODUCTION IN PART OR AS A WHOLE WITHOUT WRITTEN PERMISSION IS PROHIBITED.



**UNLESS OTHERWISE SPECIFIED:**  
 1. PRIMARY DIM. ARE IN INCHES & SECONDARY [DIM] IN MM  
 2. TOLERANCES  
 FRACTIONAL: ±1/32; ANGULAR/BEND: ±1°  
 TWO PLACE DECIMAL ±.030  
 THREE PLACE DECIMAL ±.020  
 3. REMOVE ALL BURRS AND SHARP EDGES  
 THIRD ANGLE PROJECTION  
 MATERIAL: SEE DATA SHEET  
 FINISH: SEE DATA SHEET  
 WEIGHT: SEE DATA SHEET  
 SCALE: NOT TO SCALE

		30 Pine Street, Pittsburgh, PA 15223 Tel (412) 781-9003 Fax (412) 781-7840	
		NAME	DATE
DWN	ABM	06-02-2020	
CHK	MGJ	06-02-2020	
DO NOT SCALE DRAWING		DESCRIPTION:	
PROPRIETARY AND CONFIDENTIAL		<b>FLIGHT BENCH</b> <b>SBFLT,8FT,AL,BK,1 MIDDLE ARM,SFM</b>	
THE INFORMATION CONTAINED IN THIS DRAWING IS THE SOLE PROPERTY OF FORMS + SURFACES. ANY REPRODUCTION IN PART OR AS A WHOLE WITHOUT WRITTEN PERMISSION IS PROHIBITED.			
SIZE	DWG. NO.	REV	SHEET
B	SBFLT-96BA-1 MIDDLE ARM-CS	0	1 OF 1



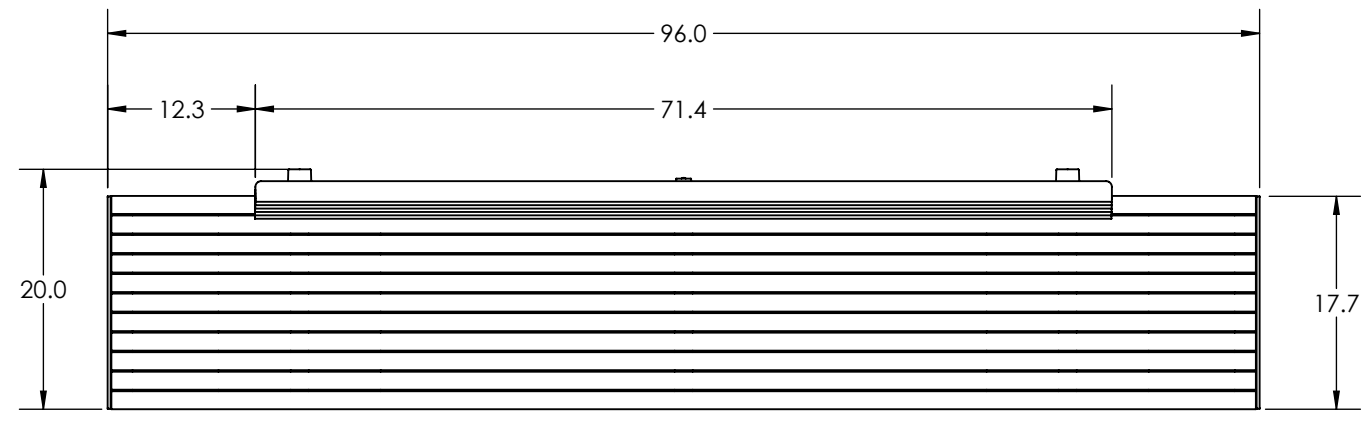
8 7 6 5 4 3 2 1

D

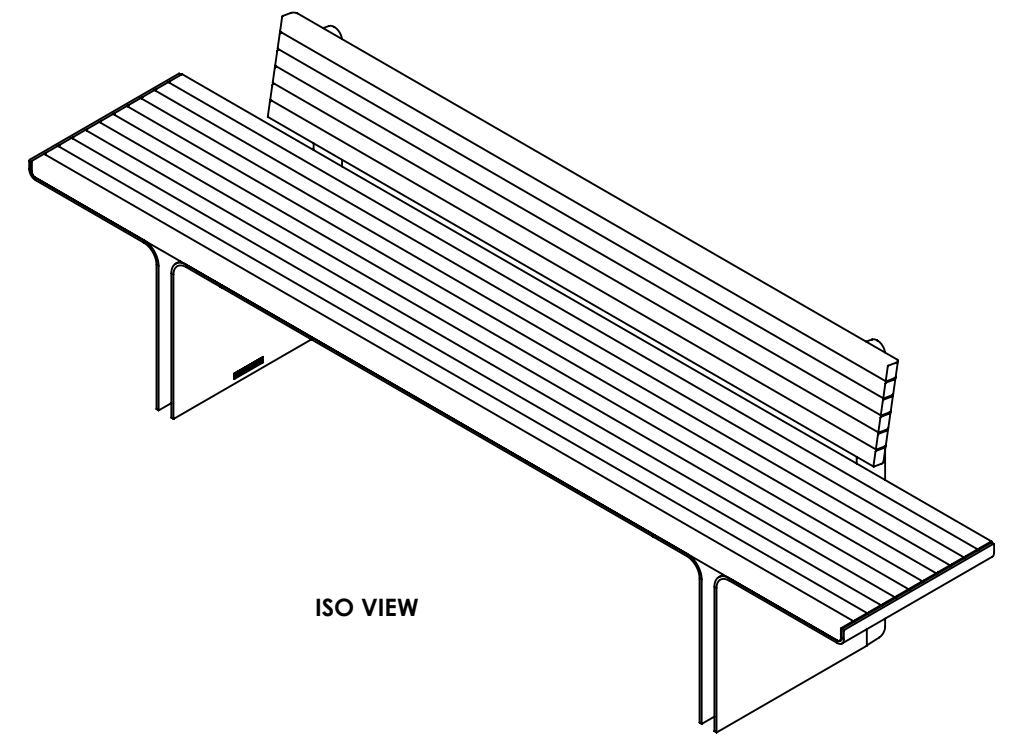
C

B

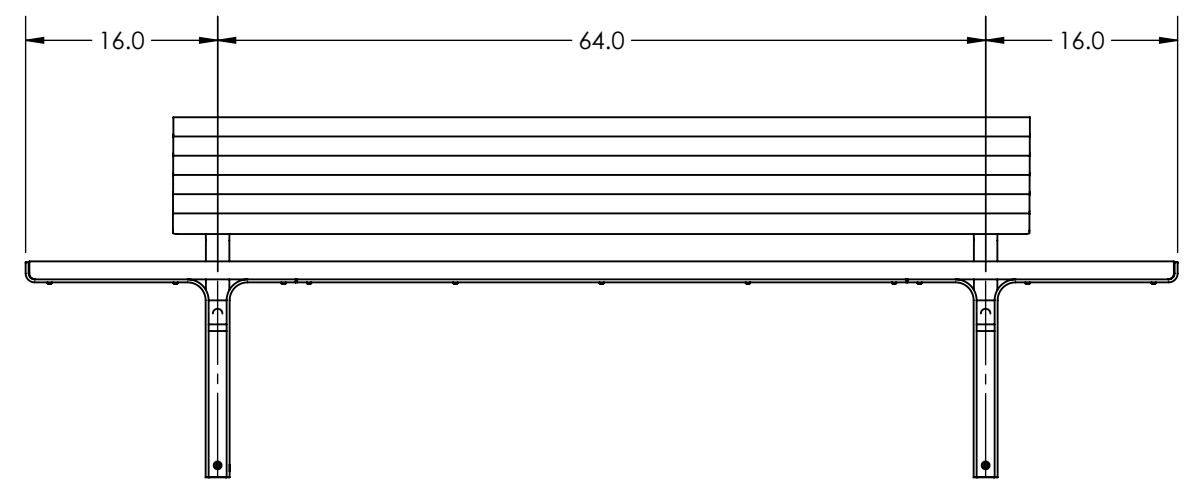
A



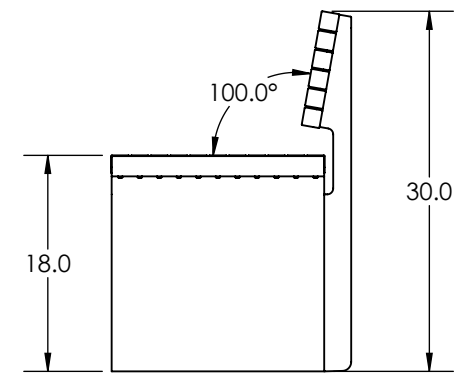
TOP VIEW



ISO VIEW



FRONT VIEW



SIDE VIEW

CUSTOMER APPROVAL:

X \_\_\_\_\_

DATE:

X \_\_\_\_\_

**UNLESS OTHERWISE SPECIFIED:**  
 1. PRIMARY DIM. ARE IN INCHES & SECONDARY [DIM] IN MM  
 2. TOLERANCES  
 FRACTIONAL: ±1/32; ANGULAR/BEND: ±1°  
 TWO PLACE DECIMAL ±.030  
 THREE PLACE DECIMAL ±.020  
 3. REMOVE ALL BURRS AND SHARP EDGES  
 THIRD ANGLE PROJECTION  
 MATERIAL: SEE DATA SHEET  
 FINISH: SEE DATA SHEET  
 WEIGHT: SEE DATA SHEET  
 SCALE: NOT TO SCALE



30 Pine Street, Pittsburgh, PA 15223  
 Tel (412) 781-9003 Fax (412) 781-7840

NAME	DATE
DWN ABM	04-16-2020
CHK MGJ	04-16-2020

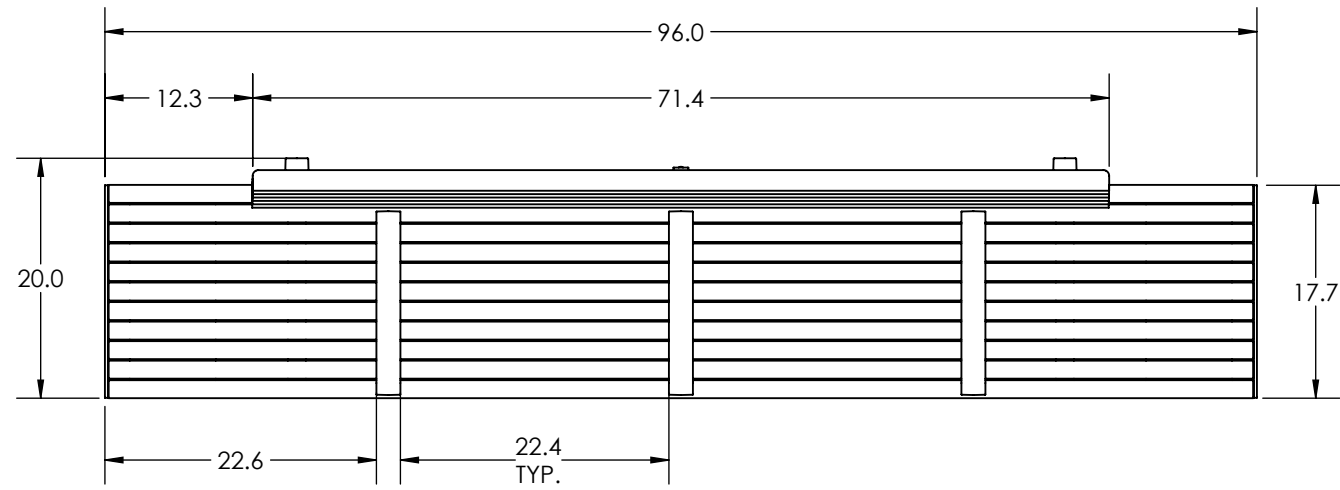
DO NOT SCALE DRAWING  
**PROPRIETARY AND CONFIDENTIAL**  
 THE INFORMATION CONTAINED IN THIS DRAWING IS THE SOLE PROPERTY OF FORMS + SURFACES. ANY REPRODUCTION IN PART OR AS A WHOLE WITHOUT WRITTEN PERMISSION IS PROHIBITED.

DESCRIPTION:			
<b>FLIGHT BENCH SBFLT,8FT,WD,BK,SFM</b>			
SIZE	DWG. NO.	REV	SHEET
B	SBFLT-96BC-CS	0	1 OF 1

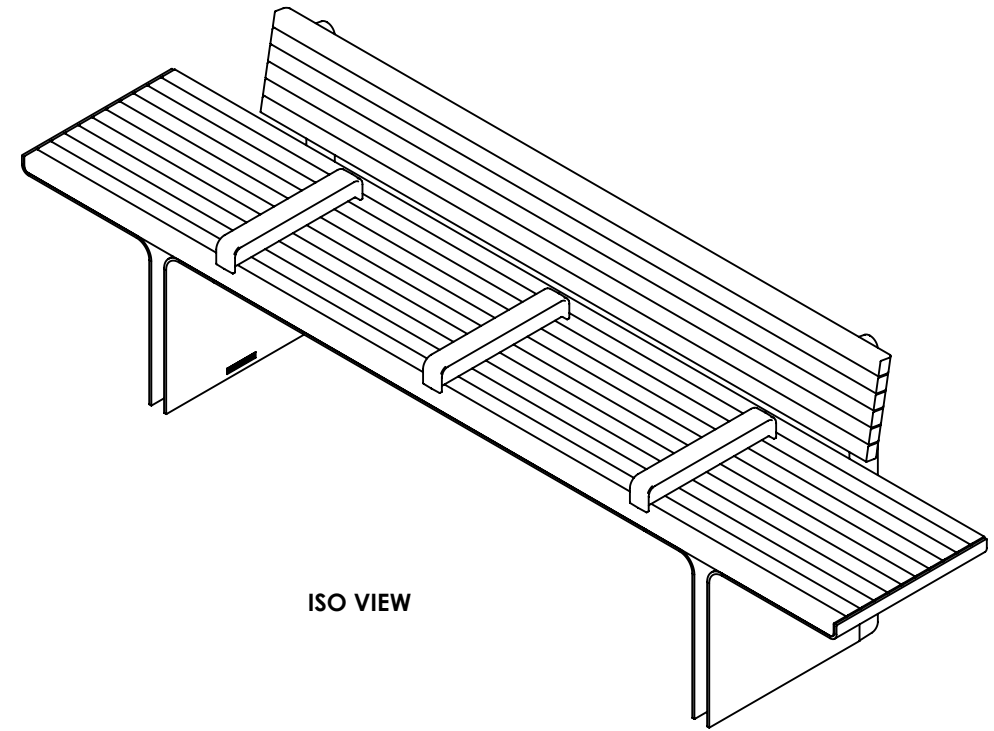
8 7 6 5 4 3 2 1

8 7 6 5 4 3 2 1

D



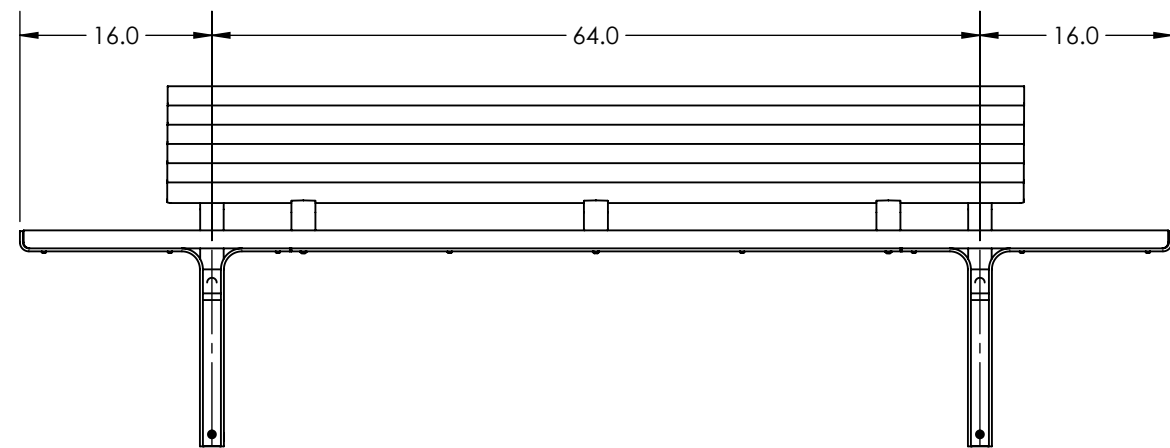
TOP VIEW



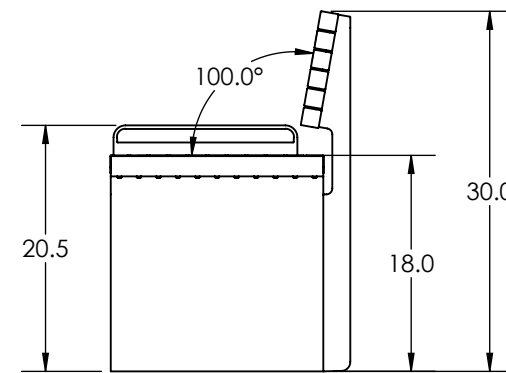
ISO VIEW

C

B



FRONT VIEW



SIDE VIEW

CUSTOMER APPROVAL:

X \_\_\_\_\_

DATE:

X \_\_\_\_\_

A

**UNLESS OTHERWISE SPECIFIED:**  
 1. PRIMARY DIM. ARE IN INCHES & SECONDARY [DIM] IN MM  
 2. TOLERANCES  
 FRACTIONAL: ±1/32; ANGULAR/BEND: ±1°  
 TWO PLACE DECIMAL ±.030  
 THREE PLACE DECIMAL ±.020  
 3. REMOVE ALL BURRS AND SHARP EDGES  
 THIRD ANGLE PROJECTION



30 Pine Street, Pittsburgh, PA 15223  
 Tel (412) 781-9003 Fax (412) 781-7840

	NAME	DATE
DWN	ABM	04-16-2020
CHK	MGJ	04-16-2020

DESCRIPTION:			
<b>FLIGHT BENCH</b>			
<b>SBFLT,8FT,WD,BK,ARM,SFM</b>			
SIZE	DWG. NO.	REV	SHEET
B	SBFLT-96BC-ARM-CS	0	1 OF 1

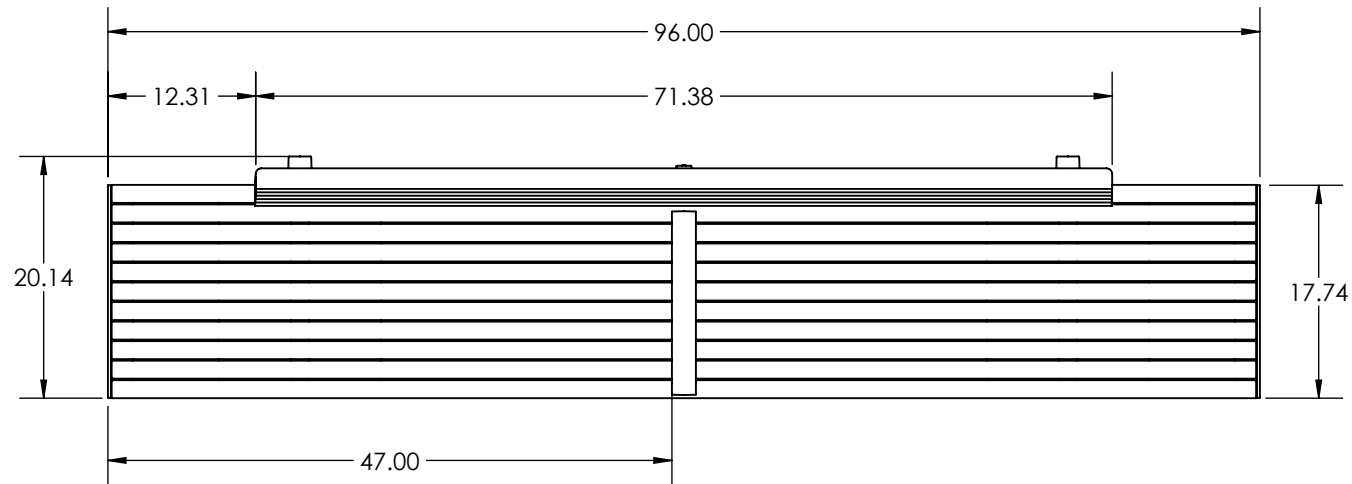
MATERIAL: SEE DATA SHEET  
 FINISH: SEE DATA SHEET  
 WEIGHT: SEE DATA SHEET  
 SCALE: NOT TO SCALE

**PROPRIETARY AND CONFIDENTIAL**  
 THE INFORMATION CONTAINED IN THIS DRAWING IS THE SOLE PROPERTY OF FORMS + SURFACES. ANY REPRODUCTION IN PART OR AS A WHOLE WITHOUT WRITTEN PERMISSION IS PROHIBITED.

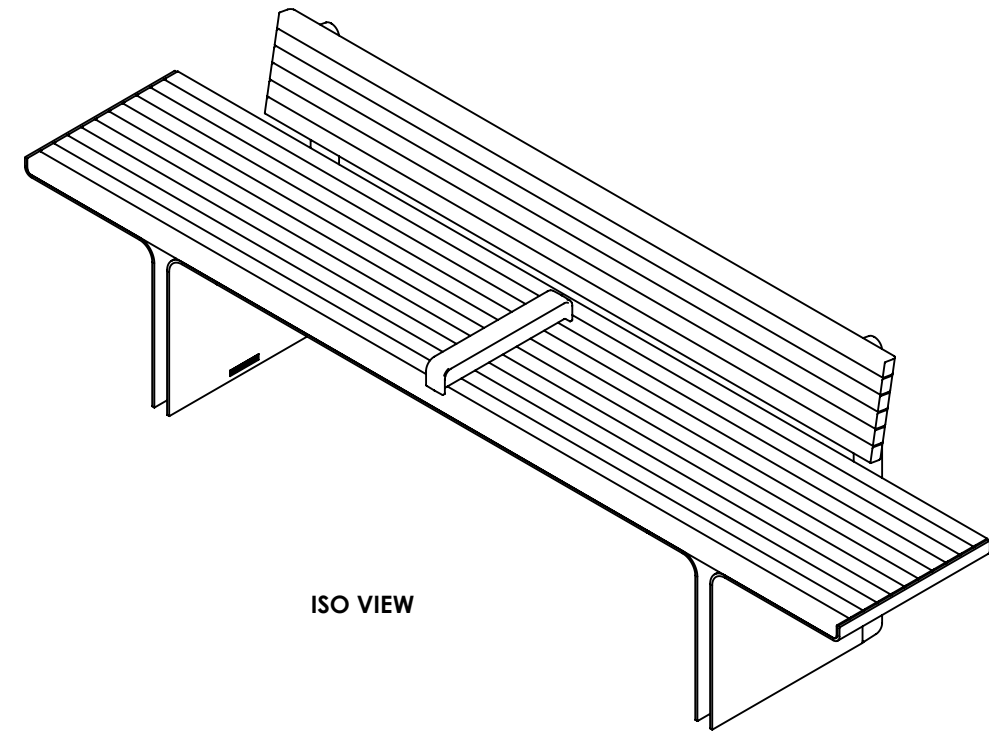
8 7 6 5 4 3 2 1

8 7 6 5 4 3 2 1

D



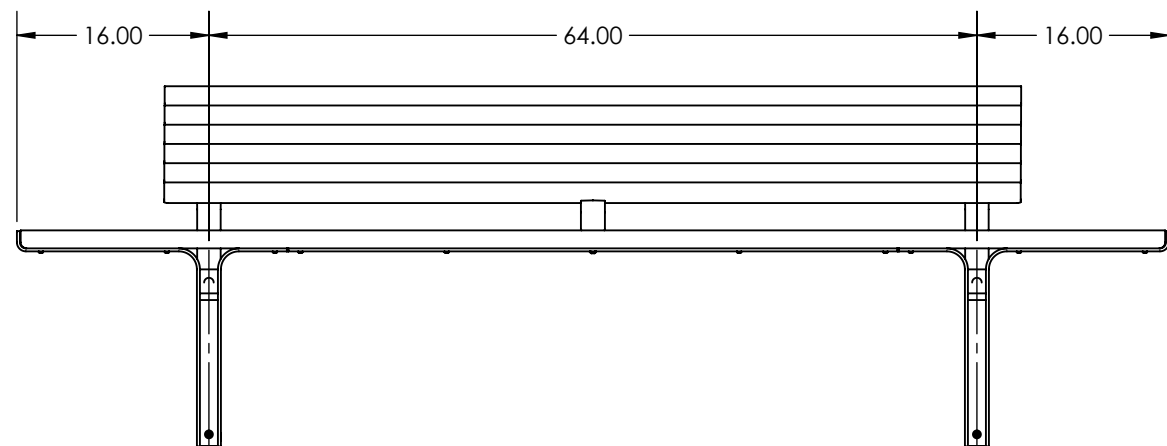
TOP VIEW



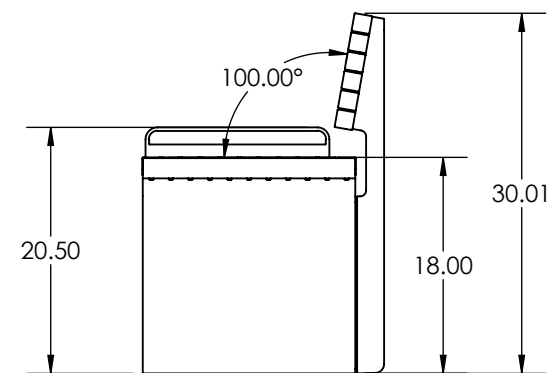
ISO VIEW

C

B



FRONT VIEW



SIDE VIEW

CUSTOMER APPROVAL:

X \_\_\_\_\_

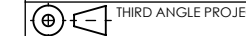
DATE:

X \_\_\_\_\_

A

**UNLESS OTHERWISE SPECIFIED:**

- 1. PRIMARY DIM. ARE IN INCHES & SECONDARY [DIM] IN MM
- 2. TOLERANCES  
 FRACTIONAL: ±1/32; ANGULAR/BEND: ±1°  
 TWO PLACE DECIMAL ±.030  
 THREE PLACE DECIMAL ±.020
- 3. REMOVE ALL BURRS AND SHARP EDGES



THIRD ANGLE PROJECTION

MATERIAL: SEE DATA SHEET

FINISH: SEE DATA SHEET

WEIGHT: SEE DATA SHEET

SCALE: NOT TO SCALE



30 Pine Street, Pittsburgh, PA 15223  
Tel (412) 781-9003 Fax (412) 781-7840

NAME	DATE
DWN ABM	06-02-2020
CHK MGJ	06-02-2020

DO NOT SCALE DRAWING

PROPRIETARY AND CONFIDENTIAL

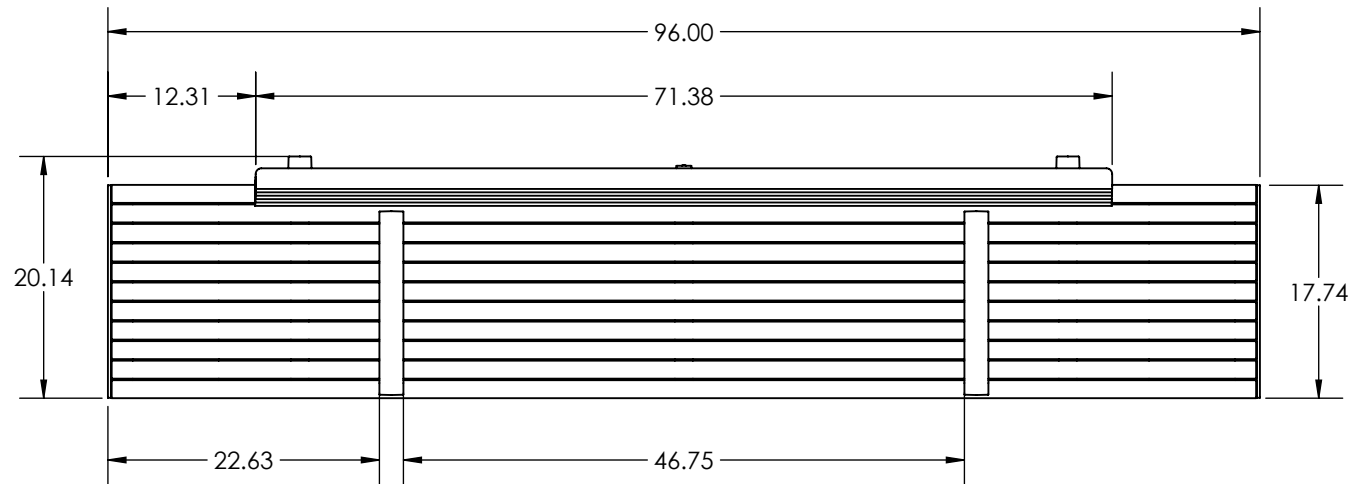
THE INFORMATION CONTAINED IN THIS DRAWING IS THE SOLE PROPERTY OF FORMS + SURFACES. ANY REPRODUCTION IN PART OR AS A WHOLE WITHOUT WRITTEN PERMISSION IS PROHIBITED.

DESCRIPTION:			
<b>FLIGHT BENCH</b>			
<b>SBFLT,8FT,WD,BK,1 MIDDLE ARM,SFM</b>			
SIZE	DWG. NO.	REV	SHEET
B	SBFLT-96BC-1 MIDDLE ARM-CS	0	1 OF 1

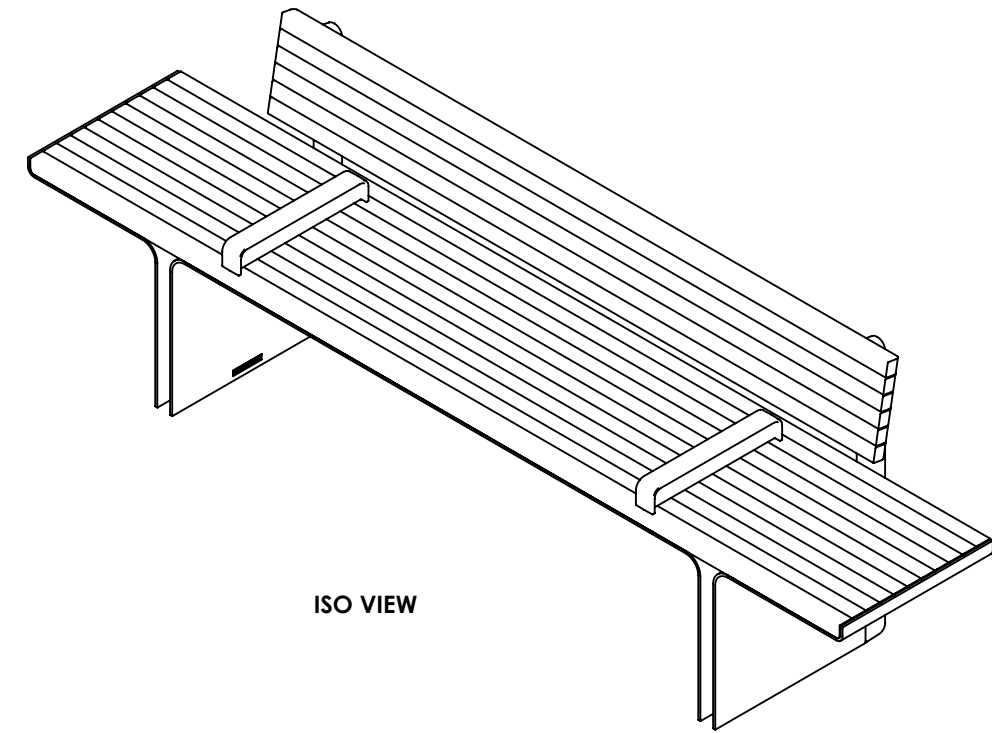
8 7 6 5 4 3 2 1

8 7 6 5 4 3 2 1

D



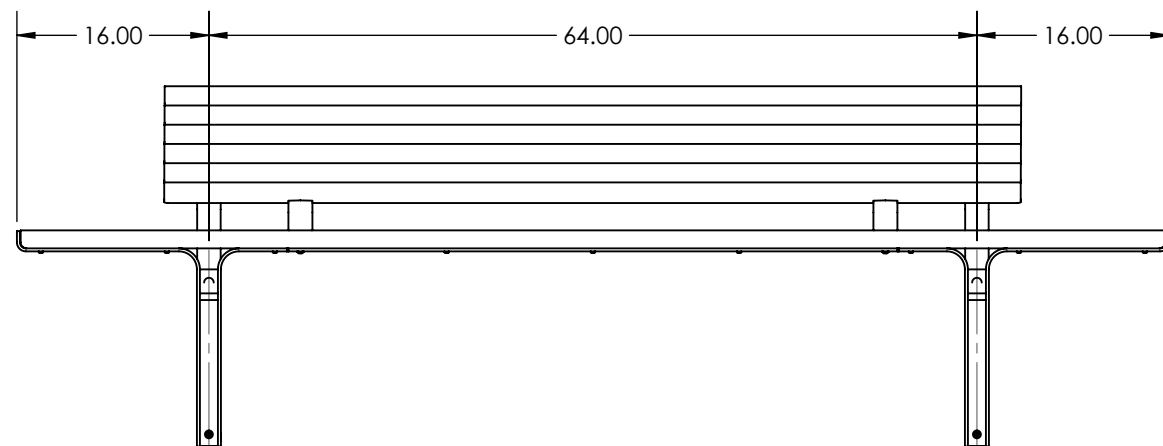
TOP VIEW



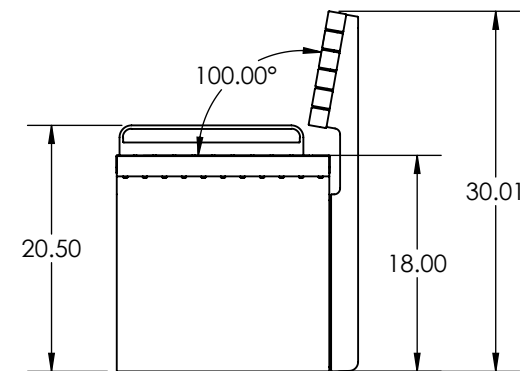
ISO VIEW

C

B



FRONT VIEW



SIDE VIEW

CUSTOMER APPROVAL:

X \_\_\_\_\_

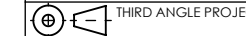
DATE:

X \_\_\_\_\_

A

**UNLESS OTHERWISE SPECIFIED:**

- 1. PRIMARY DIM. ARE IN INCHES & SECONDARY [DIM] IN MM
- 2. TOLERANCES  
 FRACTIONAL: ±1/32; ANGULAR/BEND: ±1°  
 TWO PLACE DECIMAL ±.030  
 THREE PLACE DECIMAL ±.020
- 3. REMOVE ALL BURRS AND SHARP EDGES



THIRD ANGLE PROJECTION

MATERIAL: SEE DATA SHEET

FINISH: SEE DATA SHEET

WEIGHT: SEE DATA SHEET

SCALE: NOT TO SCALE



30 Pine Street, Pittsburgh, PA 15223  
Tel (412) 781-9003 Fax (412) 781-7840

NAME	DATE
DWN ABM	06-02-2020
CHK MGJ	06-02-2020

DO NOT SCALE DRAWING

PROPRIETARY AND CONFIDENTIAL

THE INFORMATION CONTAINED IN THIS DRAWING IS THE SOLE PROPERTY OF FORMS + SURFACES. ANY REPRODUCTION IN PART OR AS A WHOLE WITHOUT WRITTEN PERMISSION IS PROHIBITED.

DESCRIPTION:			
<b>FLIGHT BENCH</b>			
<b>SBFLT,8FT,WD,BK,2 END ARMS,SFM</b>			
SIZE	DWG. NO.	REV	SHEET
B	SBFLT-96BC-2 END ARMS-CS	0	1 OF 1

8 7 6 5 4 3 2 1