

8

7

6

5

4

3

2

1

D

D

C

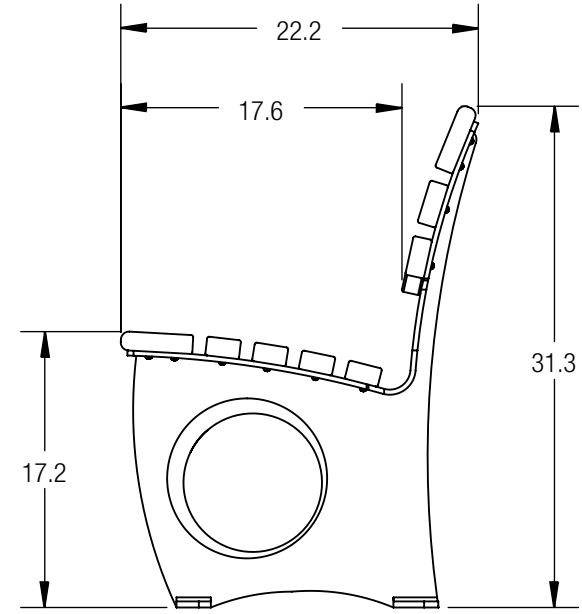
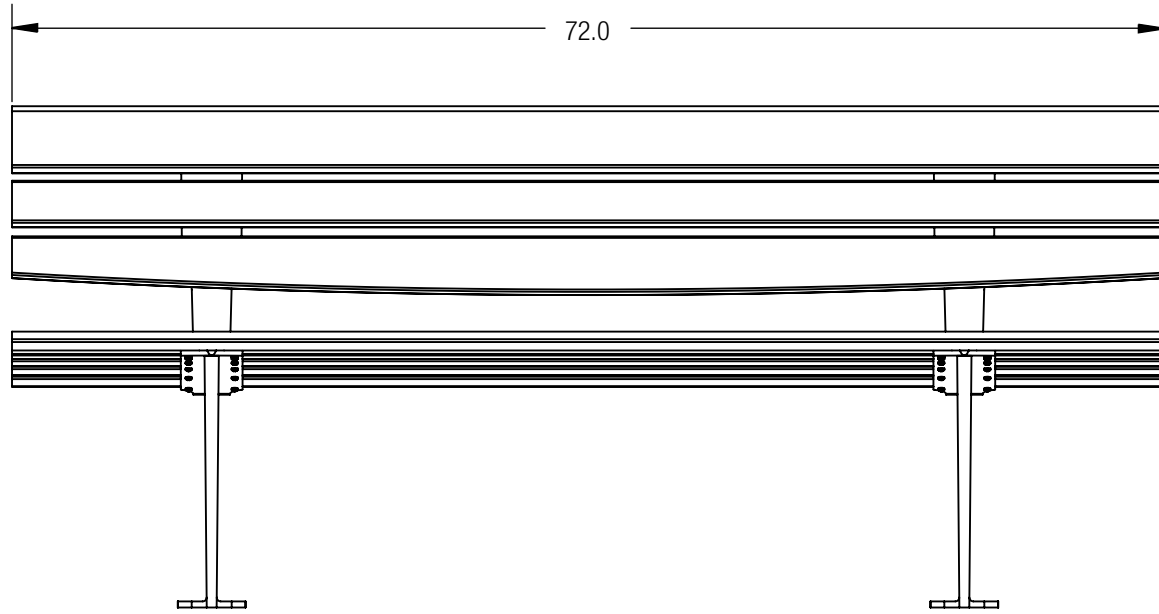
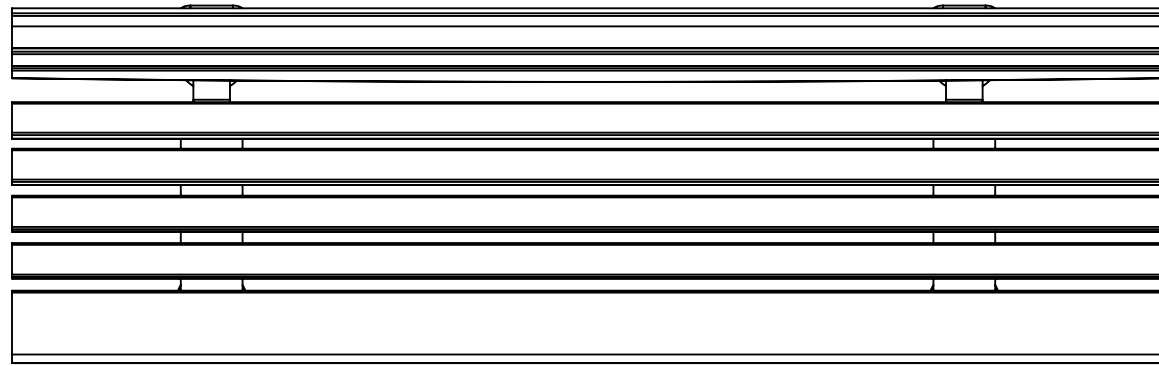
C

B

B

A

A



CUSTOMER APPROVAL:

X _____

DATE:

X _____

UNLESS OTHERWISE SPECIFIED, DIMENSIONS ARE IN INCHES		FORMS+SURFACES ® 30 Pine Street, Pittsburgh, PA 15223 Tel (800) 451-0410 Fax (412) 781-7840	
TOLERANCES (UNLESS OTHERWISE SPECIFIED): FRACTIONAL: ±1/32 ANGULAR/BEND: ±1° TWO PLACE DECIMAL ±.030 THREE PLACE DECIMAL ±.020		DATE 01/01/2011	LEDA BENCH, BACKED, 6 FT, NO ARMS SBLED-3B
MATERIAL: SEE DATA SHEET		DO NOT SCALE DRAWING	
FINISH: SEE DATA SHEET		PROPRIETARY AND CONFIDENTIAL THE INFORMATION CONTAINED IN THIS DRAWING IS THE SOLE PROPERTY OF FORMS + SURFACES. ANY REPRODUCTION IN PART OR AS A WHOLE WITHOUT WRITTEN PERMISSION IS PROHIBITED.	
WEIGHT: 102.2 LBS.		SIZE B	DWG. NO. SBLED-3B-TD
SOURCE:		REV 0	SHEET 1 OF 1
SCALE: N.T.S.			

8

7

6

5

4

3

2

1