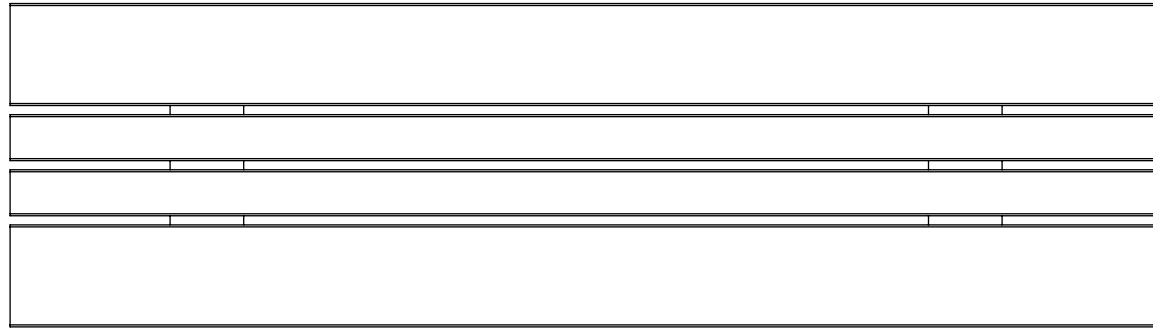


8 7 6 5 4 3 2 1

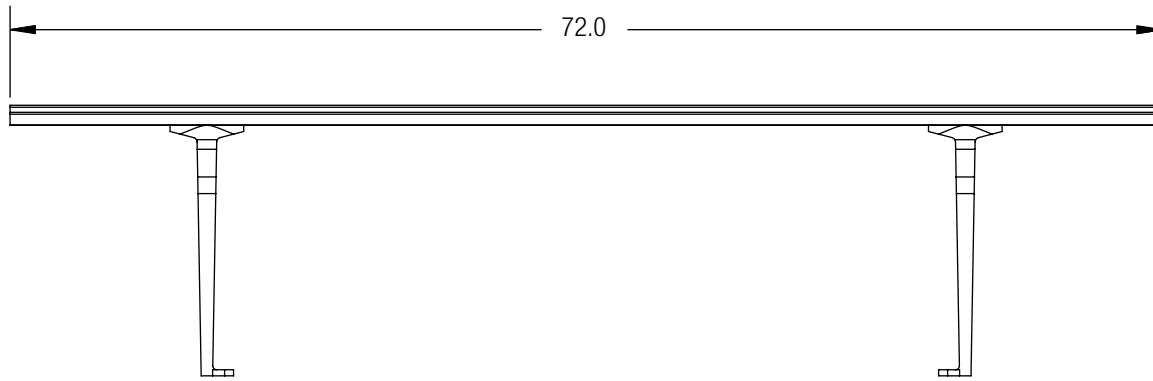
D

D



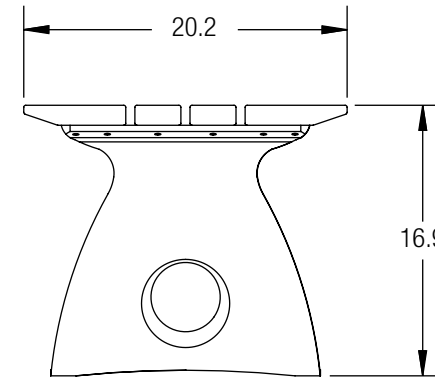
C

C



B

B



A

A

CUSTOMER APPROVAL:

X _____

DATE:

X _____

UNLESS OTHERWISE SPECIFIED, DIMENSIONS ARE IN INCHES		FORMS+SURFACES ® 30 Pine Street, Pittsburgh, PA 15223 Tel (800) 451-0410 Fax (412) 781-7840	
TOLERANCES (UNLESS OTHERWISE SPECIFIED):		DATE	LEDA BENCH, BACKLESS, 6 FT, STRAIGHT SBLED-3L
FRACTIONAL: ±1/32		01/01/2011	
ANGULAR/BEND: ±1°			
TWO PLACE DECIMAL ±.030			
THREE PLACE DECIMAL ±.020			
MATERIAL: SEE DATA SHEET		DO NOT SCALE DRAWING	
FINISH: SEE DATA SHEET		PROPRIETARY AND CONFIDENTIAL	
WEIGHT: 92.5 LBS.		THE INFORMATION CONTAINED IN THIS DRAWING IS THE SOLE PROPERTY OF FORMS + SURFACES. ANY REPRODUCTION IN PART OR AS A WHOLE WITHOUT WRITTEN PERMISSION IS PROHIBITED.	
SOURCE:		SIZE	DWG. NO.
SCALE: N.T.S.		B	SBLED-3L-TD
		REV	SHEET
		0	1 OF 1

8 7 6 5 4 3 2 1