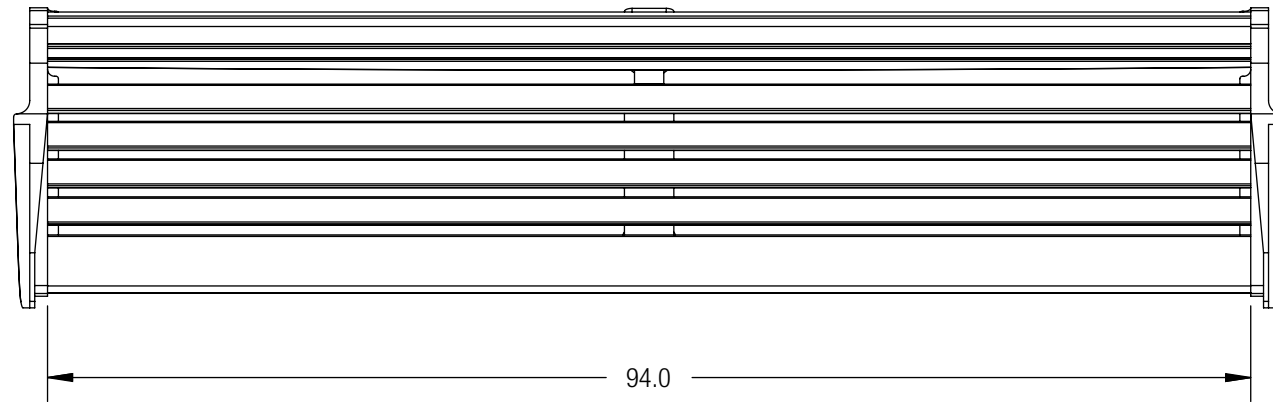
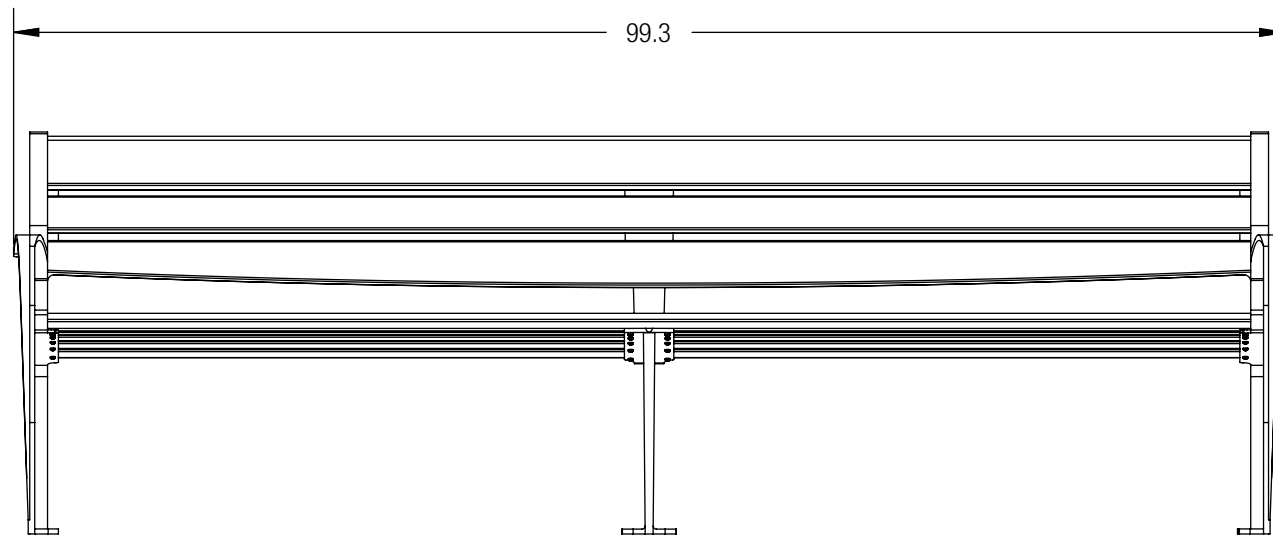


8 7 6 5 4 3 2 1

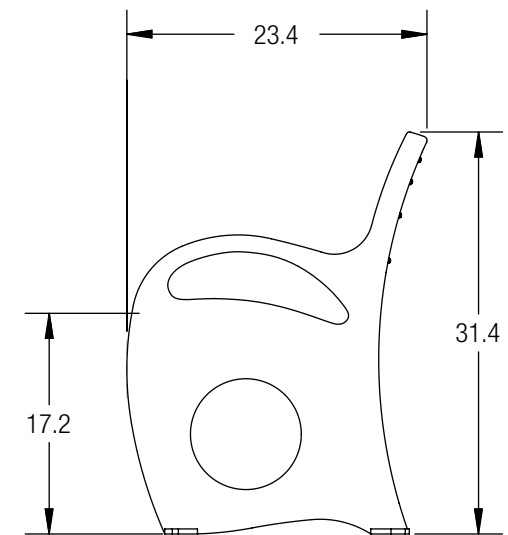
D



C



B



A

CUSTOMER APPROVAL:

X _____

DATE:

X _____

UNLESS OTHERWISE SPECIFIED, DIMENSIONS ARE IN INCHES		FORMS+SURFACES ® 30 Pine Street, Pittsburgh, PA 15223 Tel (800) 451-0410 Fax (412) 781-7840	
TOLERANCES (UNLESS OTHERWISE SPECIFIED): FRACTIONAL: ±1/32 ANGULAR/BEND: ±1° TWO PLACE DECIMAL ±.030 THREE PLACE DECIMAL ±.020		DATE	LEDA BENCH, BACKED, 8 FT, ARMS SBLED-4BA
MATERIAL: SEE DATA SHEET		01/01/2011	
FINISH: SEE DATA SHEET	DO NOT SCALE DRAWING		SIZE DWG. NO. REV SHEET B SBLED-4BA-TD 0 1 OF 1
WEIGHT: 138.7 LBS.	PROPRIETARY AND CONFIDENTIAL THE INFORMATION CONTAINED IN THIS DRAWING IS THE SOLE PROPERTY OF FORMS + SURFACES. ANY REPRODUCTION IN PART OR AS A WHOLE WITHOUT WRITTEN PERMISSION IS PROHIBITED.		
SOURCE:	SCALE: N.T.S.		

8 7 6 5 4 3 2 1