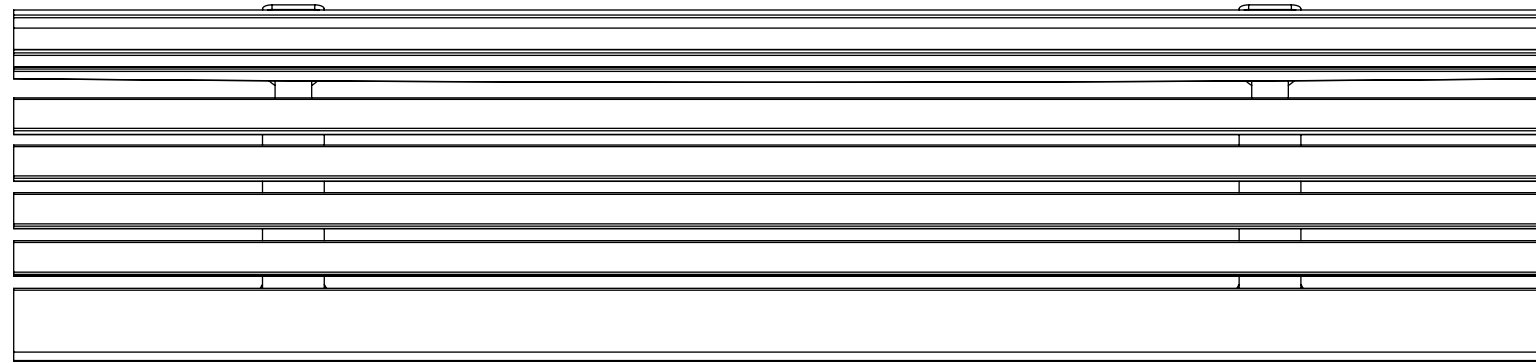


8 7 6 5 4 3 2 1

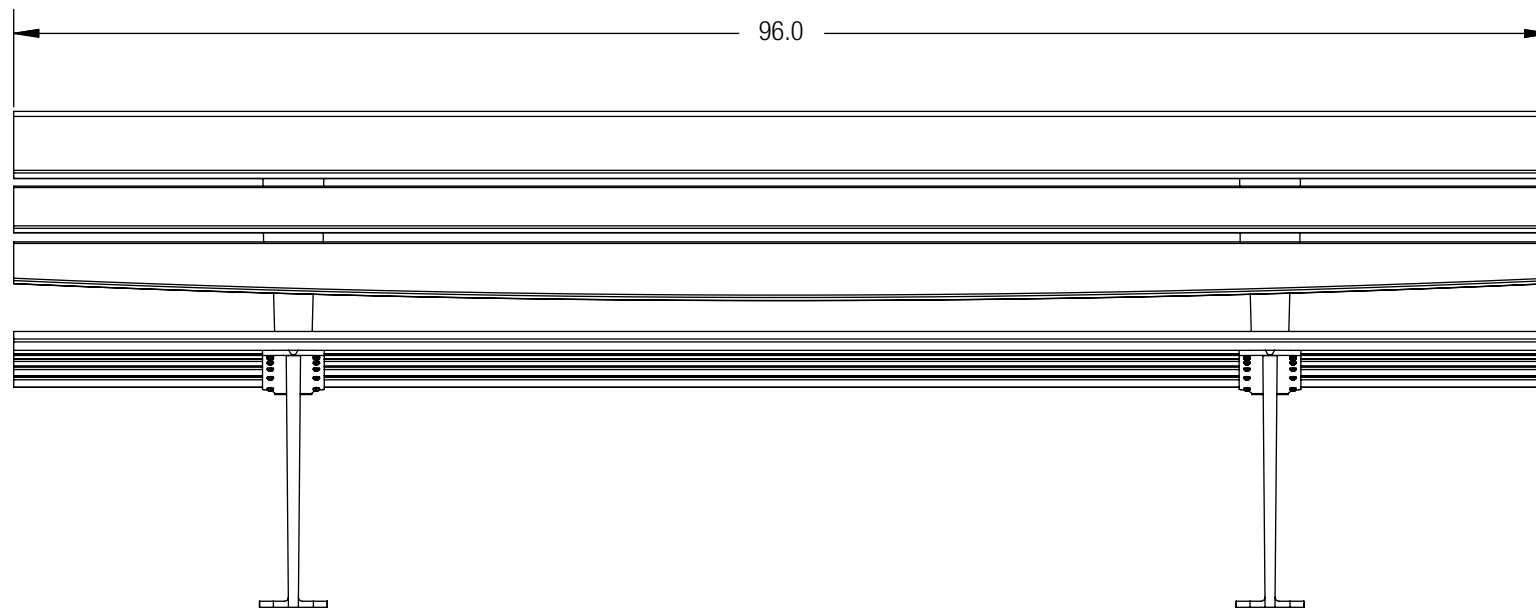
D

D



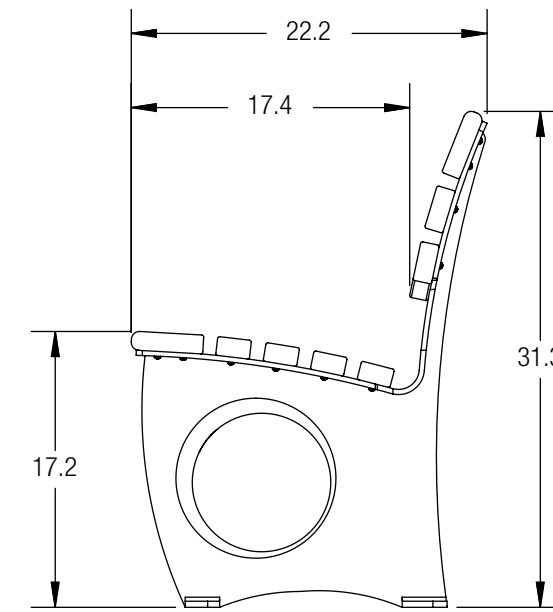
C

C



B

B



A

A

CUSTOMER APPROVAL:

X _____

DATE:

X _____

UNLESS OTHERWISE SPECIFIED,
DIMENSIONS ARE IN INCHES

TOLERANCES (UNLESS OTHERWISE SPECIFIED):
FRACTIONAL: $\pm 1/32$
ANGULAR/BEND: $\pm 1^\circ$
TWO PLACE DECIMAL $\pm .030$
THREE PLACE DECIMAL $\pm .020$

MATERIAL: SEE DATA SHEET

FINISH: SEE DATA SHEET

WEIGHT: 123.5 LBS.

SOURCE:

SCALE: N.T.S.

FORMS+SURFACES® 30 Pine Street, Pittsburgh, PA 15223
Tel (800) 451-0410 Fax (412) 781-7840

DATE
01/01/2011

**LEDA BENCH, BACKED, 8 FT, NO ARMS
SBLED-4B**

DO NOT SCALE DRAWING

PROPRIETARY AND CONFIDENTIAL
THE INFORMATION CONTAINED IN THIS
DRAWING IS THE SOLE PROPERTY OF
FORMS + SURFACES. ANY REPRODUCTION
IN PART OR AS A WHOLE WITHOUT
WRITTEN PERMISSION IS PROHIBITED.

SIZE	DWG. NO.	REV	SHEET
B	SBLED-4B-TD	0	1 OF 1

8 7 6 5 4 3 2 1