

8

7

6

5

4

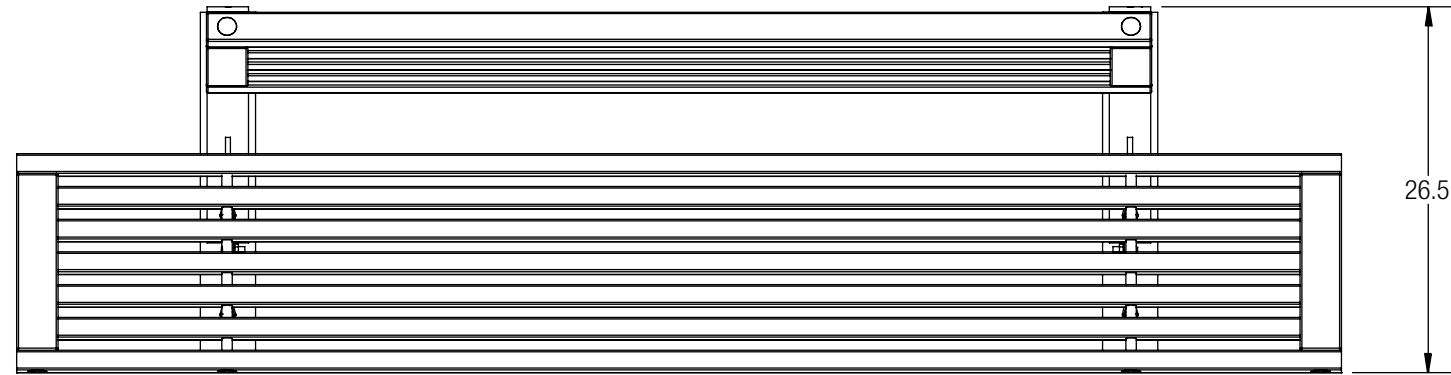
3

2

1

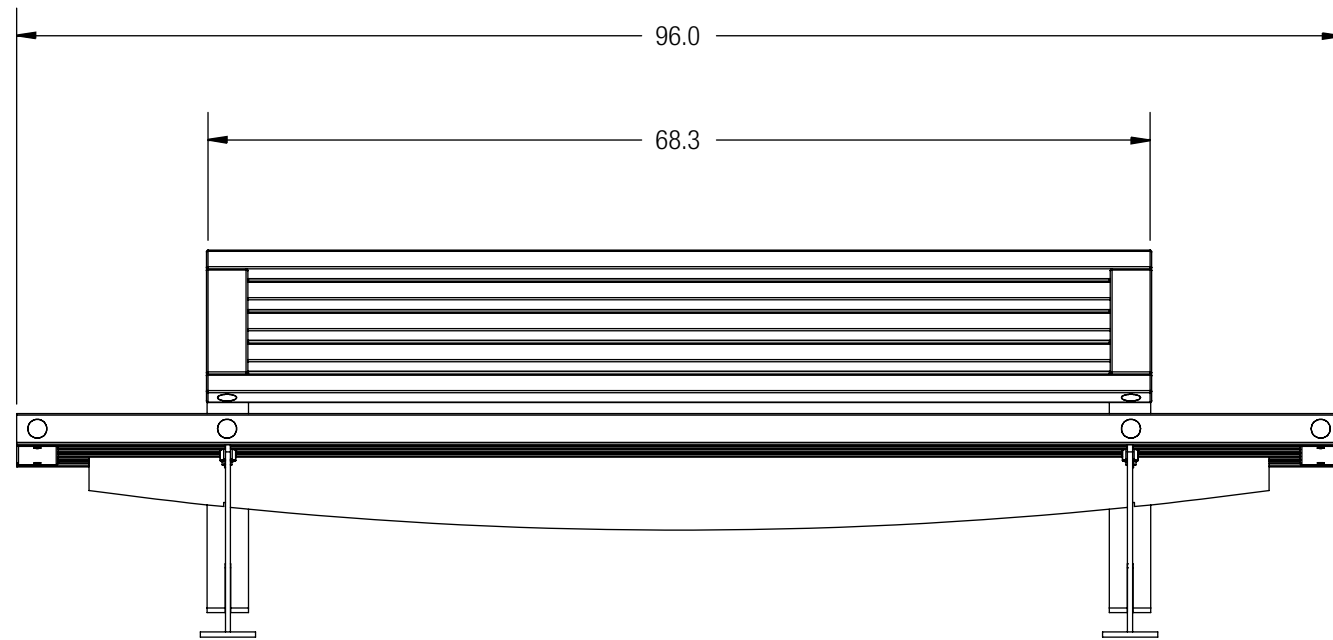
D

D



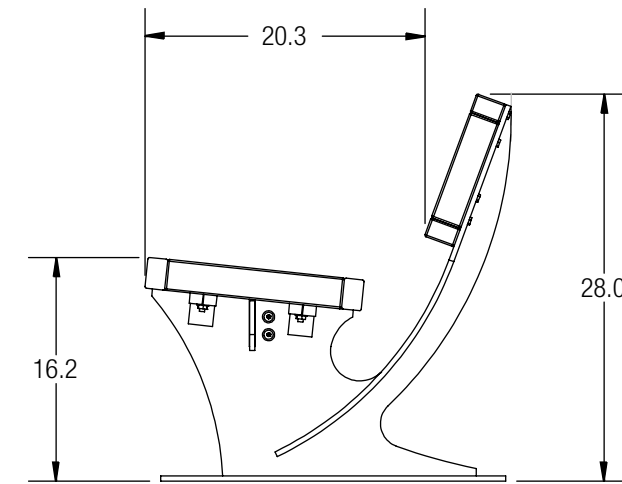
C

C



B

B



A

A

CUSTOMER APPROVAL:

X _____

DATE:

X _____

UNLESS OTHERWISE SPECIFIED,
DIMENSIONS ARE IN INCHES

TOLERANCES (UNLESS OTHERWISE SPECIFIED):
 FRACTIONAL: $\pm 1/32$
 ANGULAR/BEND: $\pm 1^\circ$
 TWO PLACE DECIMAL: $\pm .030$
 THREE PLACE DECIMAL: $\pm .020$

MATERIAL: SEE DATA SHEET

FINISH: SEE DATA SHEET

WEIGHT: 243.8 LBS.

SOURCE: M

SCALE: N.T.S.

FORMS+SURFACES® 30 Pine Street, Pittsburgh, PA 15223
 Tel (800) 451-0410 Fax (412) 781-7840

DATE

01/01/2011

PACIFICA BENCH, 8 FT, SHORT BACK
FREESTANDING

SBPAC-8FS

DO NOT SCALE DRAWING

PROPRIETARY AND CONFIDENTIAL
 THE INFORMATION CONTAINED IN THIS
 DRAWING IS THE SOLE PROPERTY OF
 FORMS + SURFACES. ANY REPRODUCTION
 IN PART OR AS A WHOLE WITHOUT
 WRITTEN PERMISSION IS PROHIBITED.

SIZE

DWG. NO.

REV

SHEET

B

SBPAC-8FS-TD

0

1 OF 1

8

7

6

5

4

3

2

1