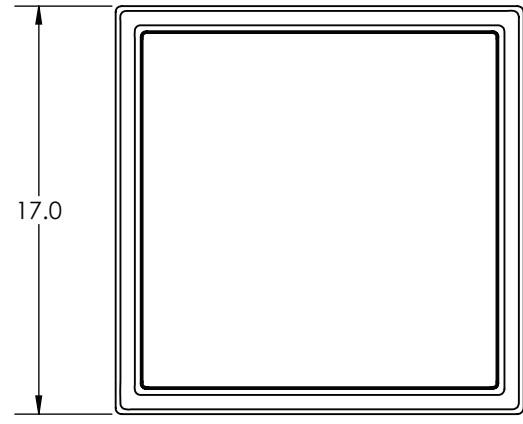
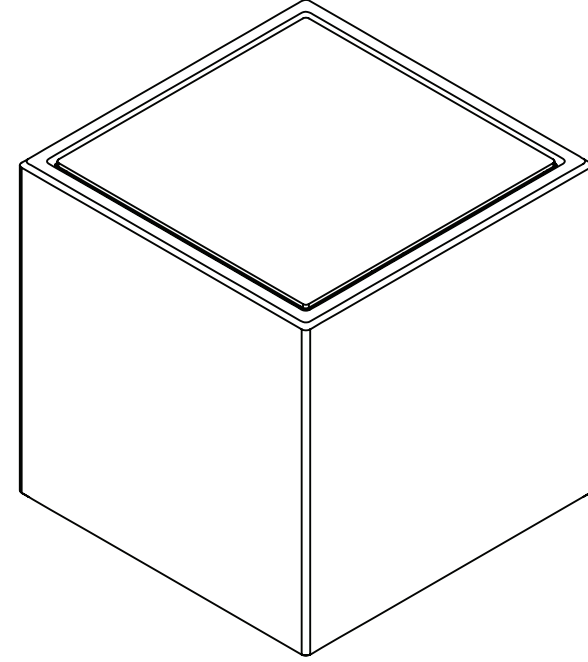


8 7 6 5 4 3 2 1

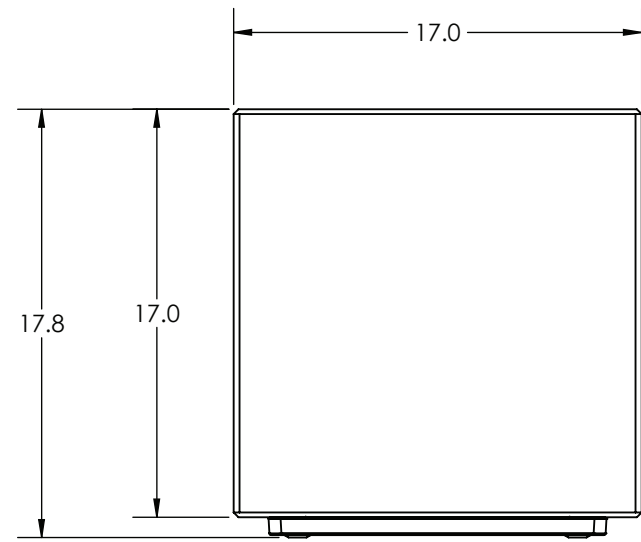
D  
C  
B  
A



TOP VIEW



ISOMETRIC VIEW



FRONT VIEW

CUSTOMER APPROVAL:

X \_\_\_\_\_

DATE:

X \_\_\_\_\_

<b>UNLESS OTHERWISE SPECIFIED:</b> 1. PRIMARY DIM. ARE IN INCHES & SECONDARY [DIM] IN MM 2. TOLERANCES FRACTIONAL: ±1/32; ANGULAR/BEND: ±1° TWO PLACE DECIMAL ±.030 THREE PLACE DECIMAL ±.020 3. REMOVE ALL BURRS AND SHARP EDGES				30 Pine Street, Pittsburgh, PA 15223 Tel (412) 781-9003 Fax (412) 781-7840				
		NAME	DATE	DESCRIPTION:  <b>QUADRA SEATING SYSTEM          17"X17", ALUMINUM INSET</b>				
MATERIAL: SEE DATA SHEET		DWN	KAS 10/08/18					
FINISH: SEE DATA SHEET		CHK						
WEIGHT: SEE DATA SHEET		PROPRIETARY AND CONFIDENTIAL <small>THE INFORMATION CONTAINED IN THIS DRAWING IS THE SOLE PROPERTY OF FORMS + SURFACES. ANY REPRODUCTION IN PART OR AS A WHOLE WITHOUT WRITTEN PERMISSION IS PROHIBITED.</small>			SIZE	DWG. NO.	REV	SHEET
SCALE: NOT TO SCALE					B	SBQUA-17A	0	1 OF 1

8 7 6 5 4 3 2 1