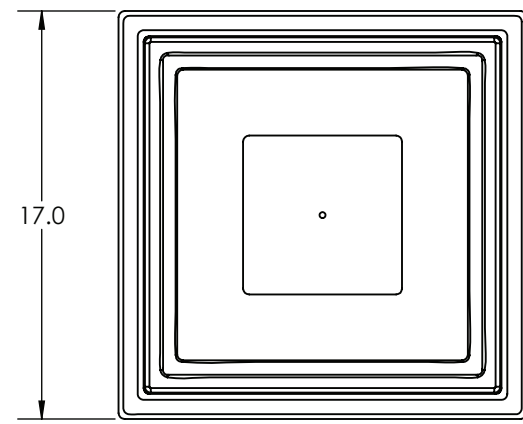
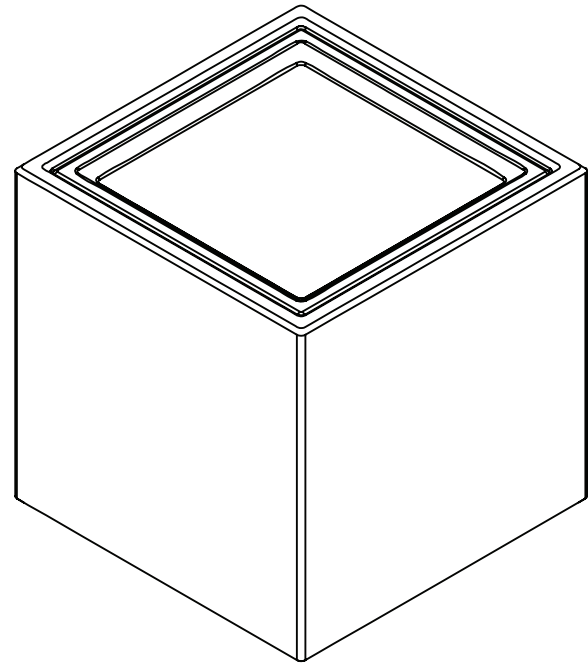


8 7 6 5 4 3 2 1

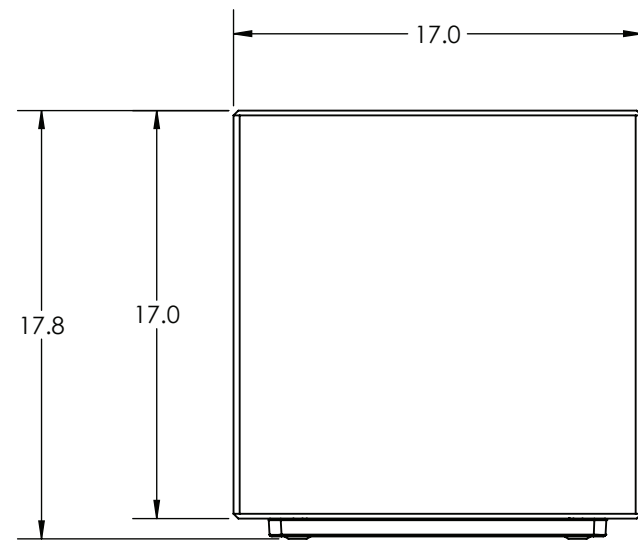
D
C
B
A



TOP VIEW



ISOMETRIC VIEW



FRONT VIEW

CUSTOMER APPROVAL:

X _____

DATE:

X _____

<p>UNLESS OTHERWISE SPECIFIED: 1. PRIMARY DIM. ARE IN INCHES & SECONDARY [DIM] IN MM 2. TOLERANCES FRACTIONAL: ±1/32; ANGULAR/BEND: ±1° TWO PLACE DECIMAL ±.030 THREE PLACE DECIMAL ±.020 3. REMOVE ALL BURRS AND SHARP EDGES</p> <p>THIRD ANGLE PROJECTION</p> <p>MATERIAL: SEE DATA SHEET</p> <p>FINISH: SEE DATA SHEET</p> <p>WEIGHT: SEE DATA SHEET</p> <p>SCALE: NOT TO SCALE</p>			30 Pine Street, Pittsburgh, PA 15223 Tel (412) 781-9003 Fax (412) 781-7840		
	NAME	DATE	DESCRIPTION:		
	DWN	KAS	10/08/18	<p>QUADRA SEATING SYSTEM 17"X17", PLANTER</p>	
	CHK				
<p>PROPRIETARY AND CONFIDENTIAL</p> <p>THE INFORMATION CONTAINED IN THIS DRAWING IS THE SOLE PROPERTY OF FORMS + SURFACES. ANY REPRODUCTION IN PART OR AS A WHOLE WITHOUT WRITTEN PERMISSION IS PROHIBITED.</p>		SIZE	DWG. NO.	REV	SHEET
		B	SBQUA-17P	0	1 OF 1

8 7 6 5 4 3 2 1