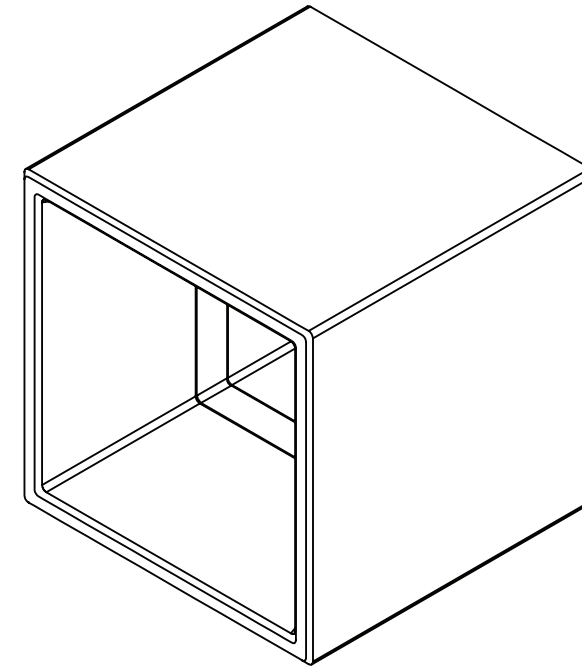


8 7 6 5 4 3 2 1

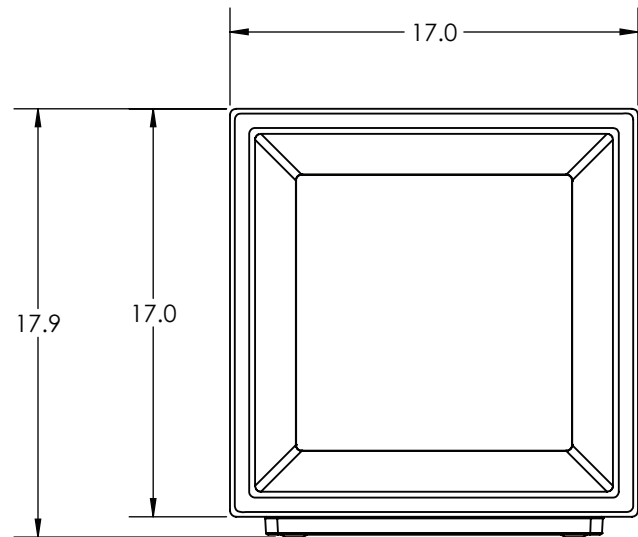
D
C
B
A



TOP VIEW



ISOMETRIC VIEW



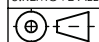

FRONT VIEW

CUSTOMER APPROVAL:

X _____

DATE:

X _____

UNLESS OTHERWISE SPECIFIED: 1. PRIMARY DIM. ARE IN INCHES & SECONDARY [DIM] IN MM 2. TOLERANCES FRACTIONAL: ±1/32; ANGULAR/BEND: ±1° TWO PLACE DECIMAL ±.030 THREE PLACE DECIMAL ±.020 3. REMOVE ALL BURRS AND SHARP EDGES  THIRD ANGLE PROJECTION		 30 Pine Street, Pittsburgh, PA 15223 Tel (412) 781-9003 Fax (412) 781-7840								
MATERIAL: SEE DATA SHEET FINISH: SEE DATA SHEET WEIGHT: SEE DATA SHEET SCALE: NOT TO SCALE		<table border="1"> <thead> <tr> <th>NAME</th> <th>DATE</th> </tr> </thead> <tbody> <tr> <td>DWN KAS</td> <td>10/08/18</td> </tr> <tr> <td>CHK</td> <td></td> </tr> </tbody> </table>	NAME	DATE	DWN KAS	10/08/18	CHK		DESCRIPTION: <p style="text-align: center;">QUADRA SEATING SYSTEM 17"X17", FRONT-TO-BACK APERTURE</p>	
NAME	DATE									
DWN KAS	10/08/18									
CHK										
PROPRIETARY AND CONFIDENTIAL <small>THE INFORMATION CONTAINED IN THIS DRAWING IS THE SOLE PROPERTY OF FORMS + SURFACES. ANY REPRODUCTION IN PART OR AS A WHOLE WITHOUT WRITTEN PERMISSION IS PROHIBITED.</small>		<table border="1"> <thead> <tr> <th>SIZE</th> <th>DWG. NO.</th> <th>REV</th> <th>SHEET</th> </tr> </thead> <tbody> <tr> <td>B</td> <td>SBQUA-17S</td> <td>0</td> <td>1 OF 1</td> </tr> </tbody> </table>	SIZE	DWG. NO.	REV	SHEET	B	SBQUA-17S	0	1 OF 1
SIZE	DWG. NO.	REV	SHEET							
B	SBQUA-17S	0	1 OF 1							

8 7 6 5 4 3 2 1

D
C
B
A