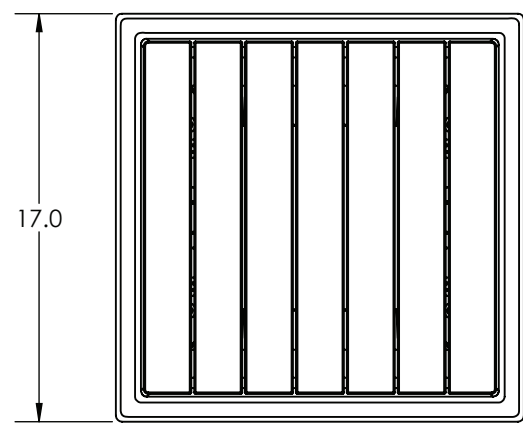


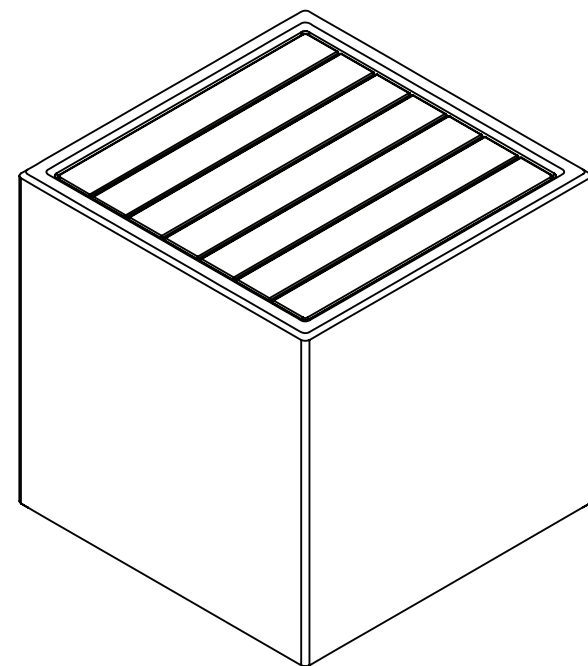
8 7 6 5 4 3 2 1

D
C
B
A

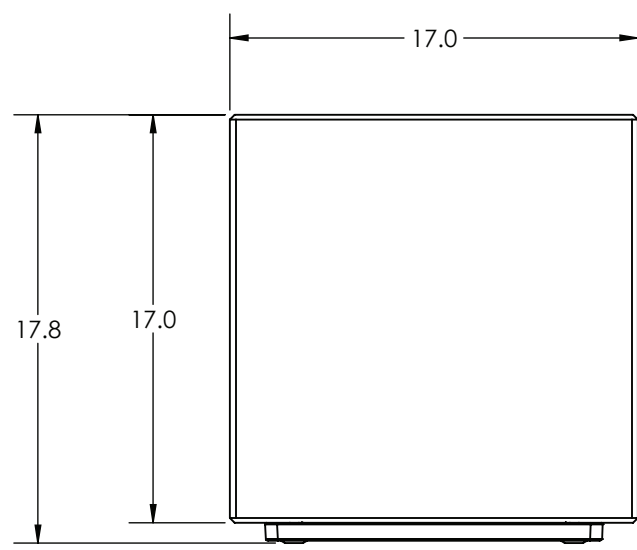
D
C
B
A



TOP VIEW



ISOMETRIC VIEW




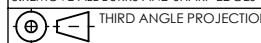
FRONT VIEW

CUSTOMER APPROVAL:

X _____

DATE:

X _____

UNLESS OTHERWISE SPECIFIED: 1. PRIMARY DIM. ARE IN INCHES & SECONDARY [DIM] IN MM 2. TOLERANCES FRACTIONAL: ±1/32; ANGULAR/BEND: ±1° TWO PLACE DECIMAL ±.030 THREE PLACE DECIMAL ±.020 3. REMOVE ALL BURRS AND SHARP EDGES		 30 Pine Street, Pittsburgh, PA 15223 Tel (412) 781-9003 Fax (412) 781-7840			
 THIRD ANGLE PROJECTION		NAME DWN KAS	DATE 10/08/18	DESCRIPTION: QUADRA SEATING SYSTEM 17"X17", HARDWOOD INSET	
MATERIAL: SEE DATA SHEET		DO NOT SCALE DRAWING			
FINISH: SEE DATA SHEET		PROPRIETARY AND CONFIDENTIAL THE INFORMATION CONTAINED IN THIS DRAWING IS THE SOLE PROPERTY OF FORMS + SURFACES. ANY REPRODUCTION IN PART OR AS A WHOLE WITHOUT WRITTEN PERMISSION IS PROHIBITED.			
WEIGHT: SEE DATA SHEET		SIZE B	DWG. NO. SBQUA-17W	REV 0	SHEET 1 OF 1
SCALE: NOT TO SCALE					

8 7 6 5 4 3 2 1