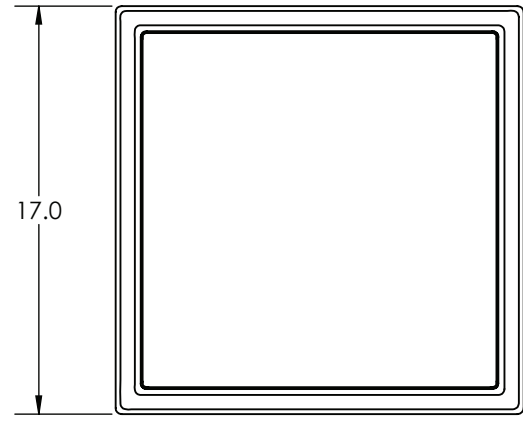
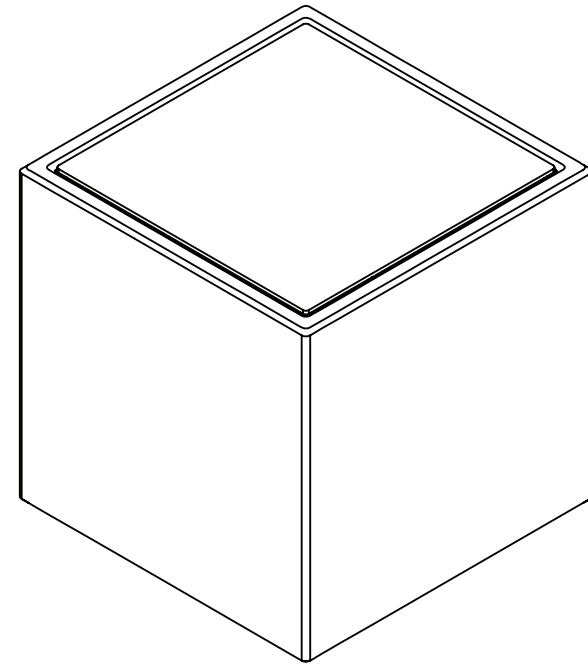


8 7 6 5 4 3 2 1

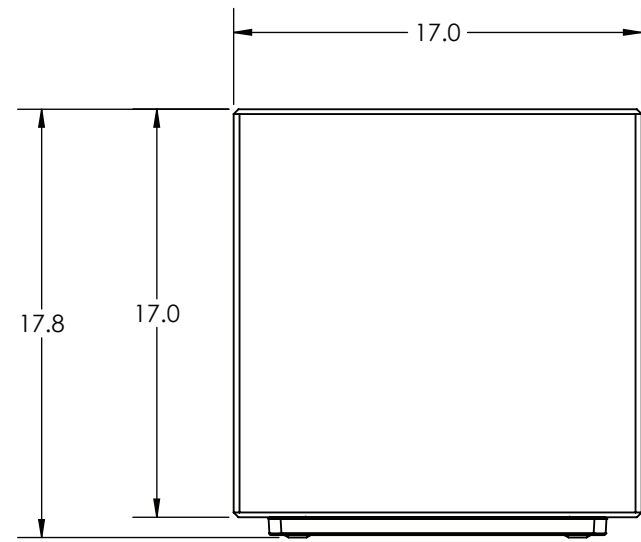
D
C
B
A



TOP VIEW



ISOMETRIC VIEW



FRONT VIEW

CUSTOMER APPROVAL:

X _____

DATE:

X _____

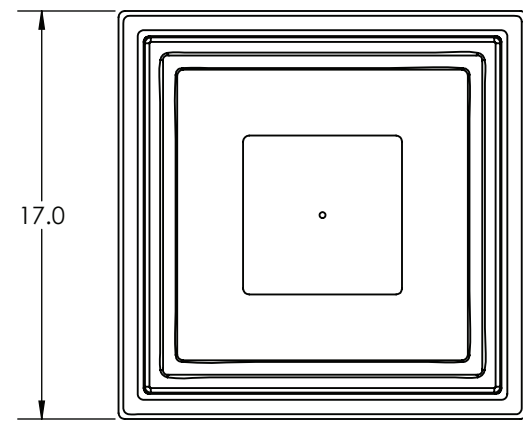
<p>UNLESS OTHERWISE SPECIFIED: 1. PRIMARY DIM. ARE IN INCHES & SECONDARY [DIM] IN MM 2. TOLERANCES FRACTIONAL: ±1/32; ANGULAR/BEND: ±1° TWO PLACE DECIMAL ±.030 THREE PLACE DECIMAL ±.020 3. REMOVE ALL BURRS AND SHARP EDGES</p> <p>THIRD ANGLE PROJECTION</p> <p>MATERIAL: SEE DATA SHEET</p> <p>FINISH: SEE DATA SHEET</p> <p>WEIGHT: SEE DATA SHEET</p> <p>SCALE: NOT TO SCALE</p>	<p>FORMS+SURFACES 30 Pine Street, Pittsburgh, PA 15223 Tel (412) 781-9003 Fax (412) 781-7840</p>			<p>DESCRIPTION:</p>		
	NAME	DATE	<p>QUADRA SEATING SYSTEM 17"X17", ALUMINUM INSET</p>			
	DWN	KAS				10/08/18
	CHK					
<p>PROPRIETARY AND CONFIDENTIAL</p> <p>THE INFORMATION CONTAINED IN THIS DRAWING IS THE SOLE PROPERTY OF FORMS + SURFACES. ANY REPRODUCTION IN PART OR AS A WHOLE WITHOUT WRITTEN PERMISSION IS PROHIBITED.</p>		SIZE	DWG. NO.	REV	SHEET	
		B	SBQUA-17A	0	1 OF 1	

8 7 6 5 4 3 2 1

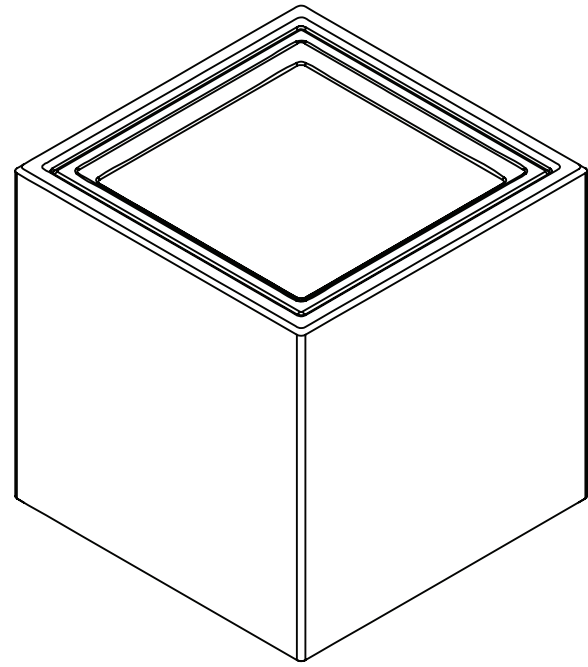
D
C
B
A

8 7 6 5 4 3 2 1

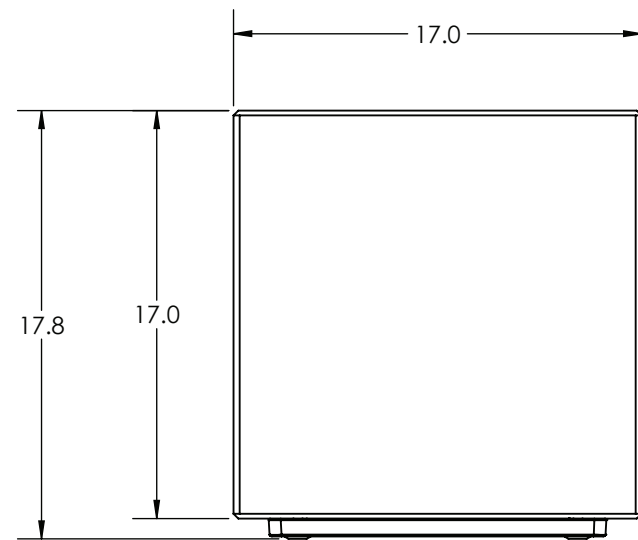
D
C
B
A



TOP VIEW



ISOMETRIC VIEW



FRONT VIEW

CUSTOMER APPROVAL:

X _____

DATE:

X _____

UNLESS OTHERWISE SPECIFIED: 1. PRIMARY DIM. ARE IN INCHES & SECONDARY [DIM] IN MM 2. TOLERANCES FRACTIONAL: ±1/32; ANGULAR/BEND: ±1° TWO PLACE DECIMAL ±.030 THREE PLACE DECIMAL ±.020 3. REMOVE ALL BURRS AND SHARP EDGES THIRD ANGLE PROJECTION		FORMS+SURFACES 30 Pine Street, Pittsburgh, PA 15223 Tel (412) 781-9003 Fax (412) 781-7840	
MATERIAL: SEE DATA SHEET FINISH: SEE DATA SHEET WEIGHT: SEE DATA SHEET SCALE: NOT TO SCALE		DESCRIPTION: <p style="text-align: center;">QUADRA SEATING SYSTEM 17"X17", PLANTER</p>	
DO NOT SCALE DRAWING PROPRIETARY AND CONFIDENTIAL <small>THE INFORMATION CONTAINED IN THIS DRAWING IS THE SOLE PROPERTY OF FORMS + SURFACES. ANY REPRODUCTION IN PART OR AS A WHOLE WITHOUT WRITTEN PERMISSION IS PROHIBITED.</small>		NAME: DWN DATE: 10/08/18	REV: 0 SHEET: 1 OF 1
SIZE: B		DWG. NO.: SBQUA-17P	SHEET: 1 OF 1

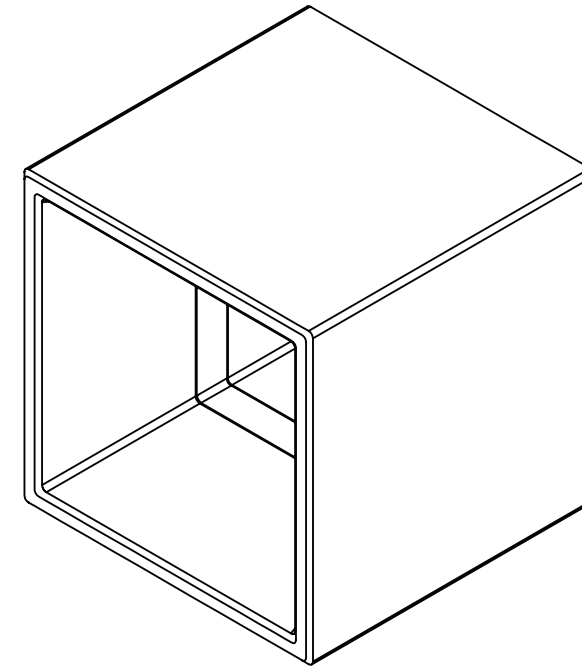
8 7 6 5 4 3 2 1

8 7 6 5 4 3 2 1

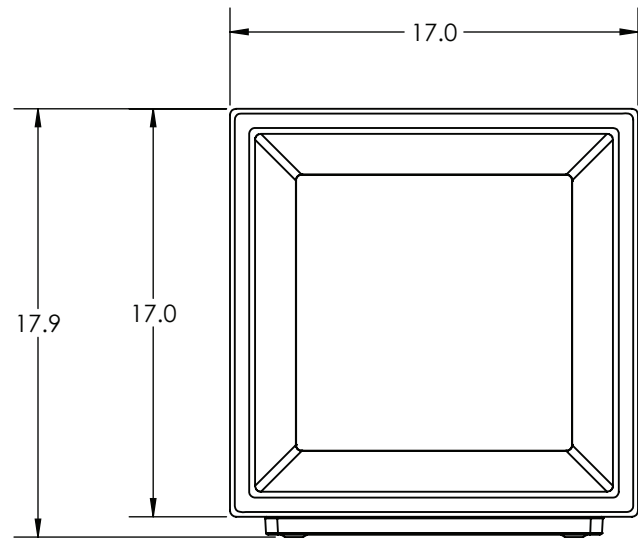
D
C
B
A



TOP VIEW



ISOMETRIC VIEW



FRONT VIEW

CUSTOMER APPROVAL:

X _____

DATE:

X _____

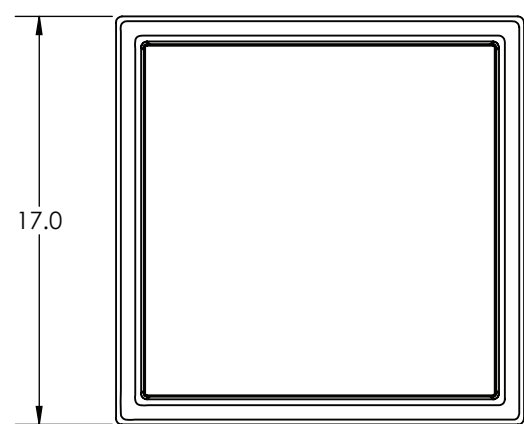
UNLESS OTHERWISE SPECIFIED: 1. PRIMARY DIM. ARE IN INCHES & SECONDARY [DIM] IN MM 2. TOLERANCES FRACTIONAL: ±1/32; ANGULAR/BEND: ±1° TWO PLACE DECIMAL ±.030 THREE PLACE DECIMAL ±.020 3. REMOVE ALL BURRS AND SHARP EDGES				30 Pine Street, Pittsburgh, PA 15223 Tel (412) 781-9003 Fax (412) 781-7840				
THIRD ANGLE PROJECTION		NAME	DATE	DESCRIPTION: QUADRA SEATING SYSTEM 17"X17", FRONT-TO-BACK APERTURE				
MATERIAL: SEE DATA SHEET		DWN	KAS			10/08/18		
FINISH: SEE DATA SHEET		CHK						
WEIGHT: SEE DATA SHEET		PROPRIETARY AND CONFIDENTIAL THE INFORMATION CONTAINED IN THIS DRAWING IS THE SOLE PROPERTY OF FORMS + SURFACES. ANY REPRODUCTION IN PART OR AS A WHOLE WITHOUT WRITTEN PERMISSION IS PROHIBITED.			SIZE	DWG. NO.	REV	SHEET
SCALE: NOT TO SCALE					B	SBQUA-17S	0	1 OF 1

8 7 6 5 4 3 2 1

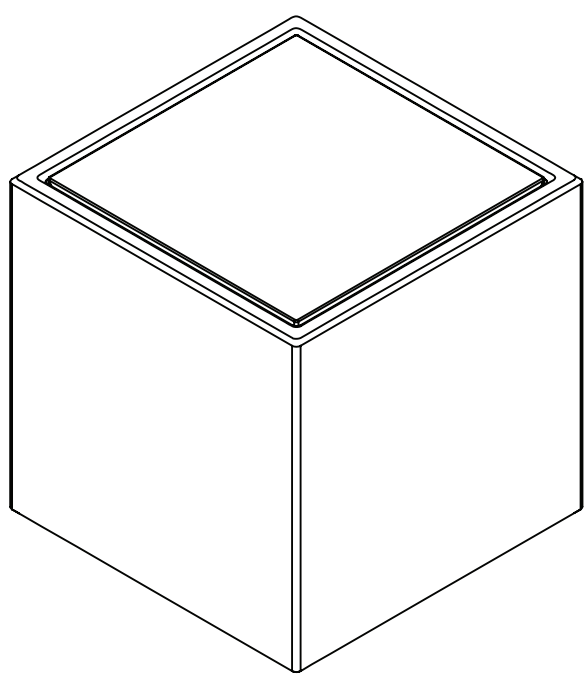
8 7 6 5 4 3 2 1

D
C
B
A

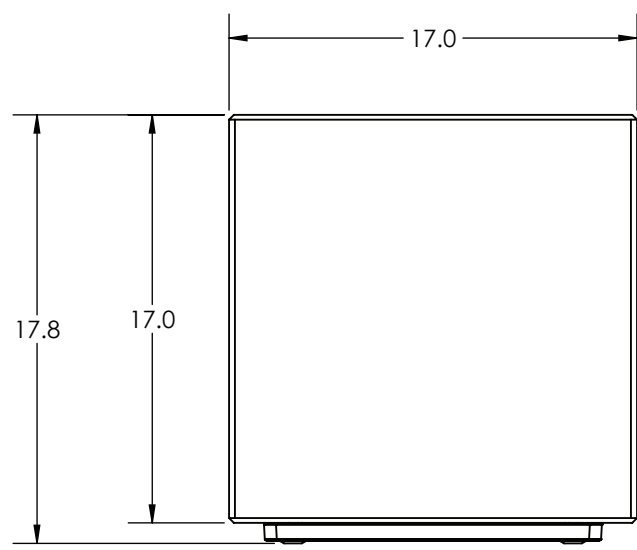
D
C
B
A



TOP VIEW



ISOMETRIC VIEW



FRONT VIEW

CUSTOMER APPROVAL:

X _____

DATE:

X _____

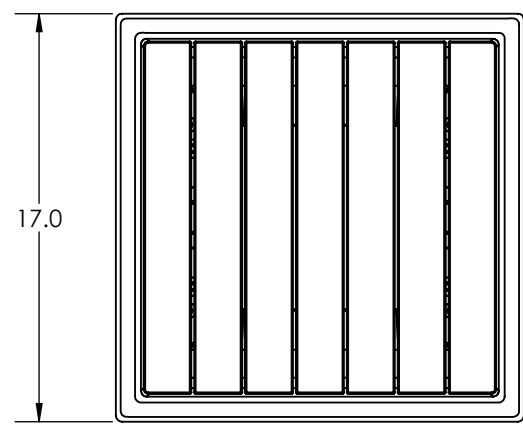
<p>UNLESS OTHERWISE SPECIFIED: 1. PRIMARY DIM. ARE IN INCHES & SECONDARY [DIM] IN MM 2. TOLERANCES FRACTIONAL: $\pm 1/32$; ANGULAR/BEND: $\pm 1^\circ$ TWO PLACE DECIMAL $\pm .030$ THREE PLACE DECIMAL $\pm .020$ 3. REMOVE ALL BURRS AND SHARP EDGES</p> <p> THIRD ANGLE PROJECTION</p> <p>MATERIAL: SEE DATA SHEET</p> <p>FINISH: SEE DATA SHEET</p> <p>WEIGHT: SEE DATA SHEET</p> <p>SCALE: NOT TO SCALE</p>	<p>FORMS+SURFACES 30 Pine Street, Pittsburgh, PA 15223 Tel (412) 781-9003 Fax (412) 781-7840</p>			<p>DESCRIPTION:</p>			
	NAME	DATE	<p>QUADRA SEATING SYSTEM 17"X17", TENSL INSET</p>				
	DWN	KAS				10/08/18	
	CHK						
<p>DO NOT SCALE DRAWING</p>		<p>PROPRIETARY AND CONFIDENTIAL</p> <p>THE INFORMATION CONTAINED IN THIS DRAWING IS THE SOLE PROPERTY OF FORMS + SURFACES. ANY REPRODUCTION IN PART OR AS A WHOLE WITHOUT WRITTEN PERMISSION IS PROHIBITED.</p>		SIZE	DWG. NO.	REV	SHEET
				B	SBQUA-17T	0	1 OF 1

8 7 6 5 4 3 2 1

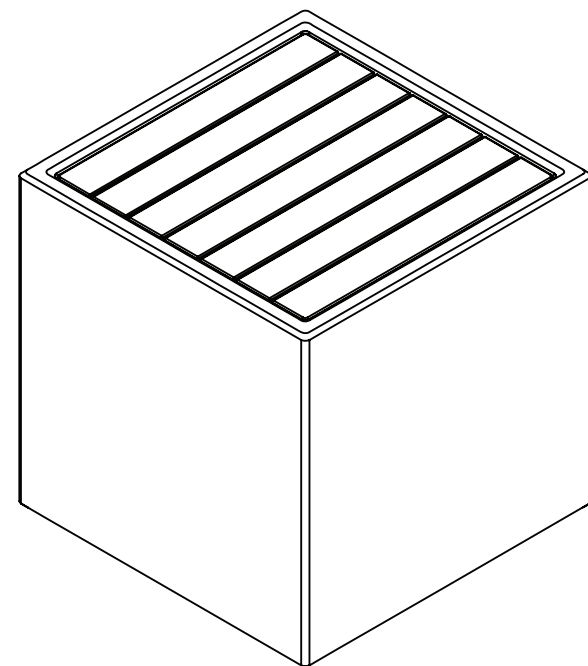
8 7 6 5 4 3 2 1

D
C
B
A

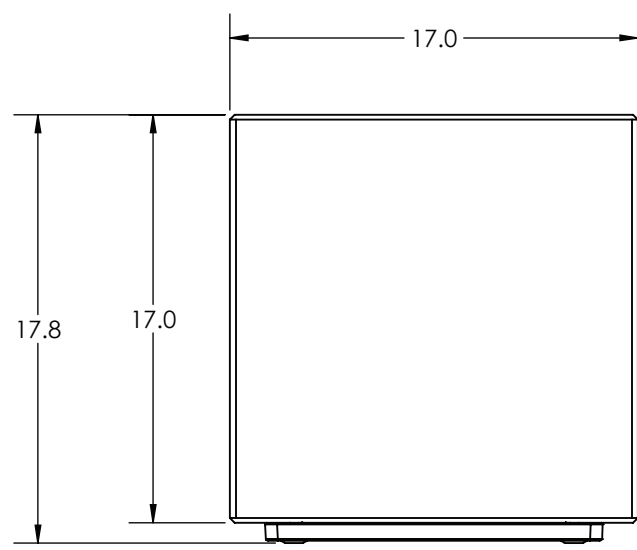
D
C
B
A



TOP VIEW



ISOMETRIC VIEW




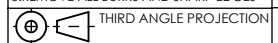
FRONT VIEW

CUSTOMER APPROVAL:

X _____

DATE:

X _____

UNLESS OTHERWISE SPECIFIED: 1. PRIMARY DIM. ARE IN INCHES & SECONDARY [DIM] IN MM 2. TOLERANCES FRACTIONAL: ±1/32; ANGULAR/BEND: ±1° TWO PLACE DECIMAL ±.030 THREE PLACE DECIMAL ±.020 3. REMOVE ALL BURRS AND SHARP EDGES		 30 Pine Street, Pittsburgh, PA 15223 Tel (412) 781-9003 Fax (412) 781-7840			
 THIRD ANGLE PROJECTION		NAME DWN KAS	DATE 10/08/18	DESCRIPTION: QUADRA SEATING SYSTEM 17"X17", HARDWOOD INSET	
MATERIAL: SEE DATA SHEET		DO NOT SCALE DRAWING			
FINISH: SEE DATA SHEET		PROPRIETARY AND CONFIDENTIAL THE INFORMATION CONTAINED IN THIS DRAWING IS THE SOLE PROPERTY OF FORMS + SURFACES. ANY REPRODUCTION IN PART OR AS A WHOLE WITHOUT WRITTEN PERMISSION IS PROHIBITED.			
WEIGHT: SEE DATA SHEET		SIZE B	DWG. NO. SBQUA-17W	REV 0	SHEET 1 OF 1
SCALE: NOT TO SCALE					

8 7 6 5 4 3 2 1