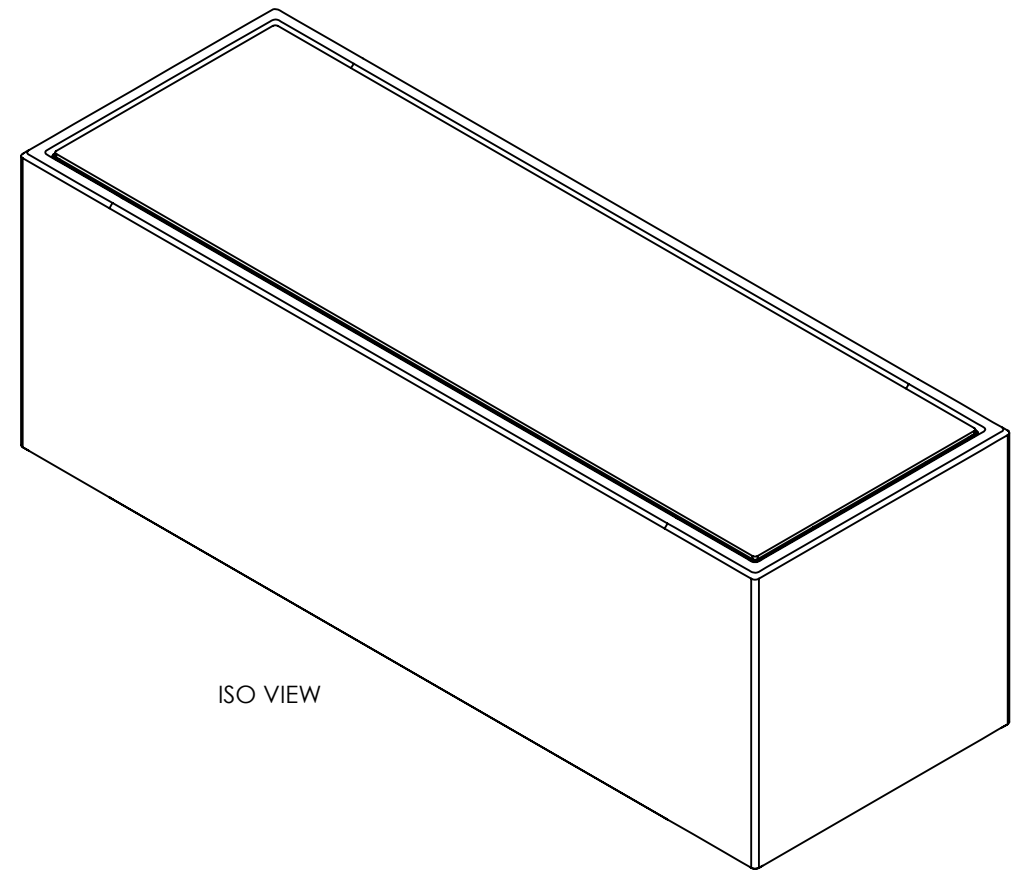
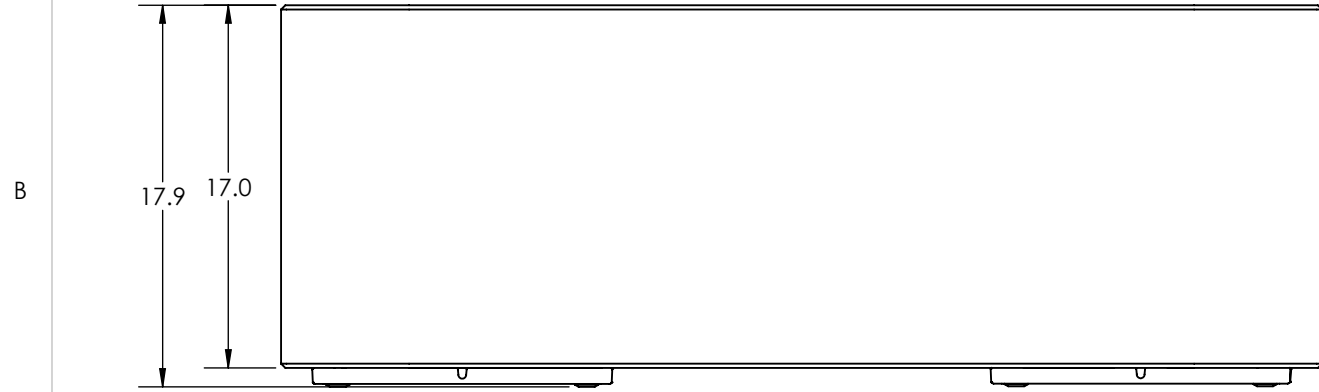


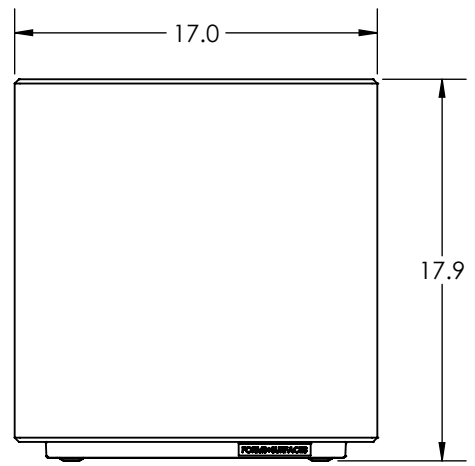
TOP VIEW



ISO VIEW



FRONT VIEW



SIDE VIEW



CUSTOMER APPROVAL:

X _____

DATE:

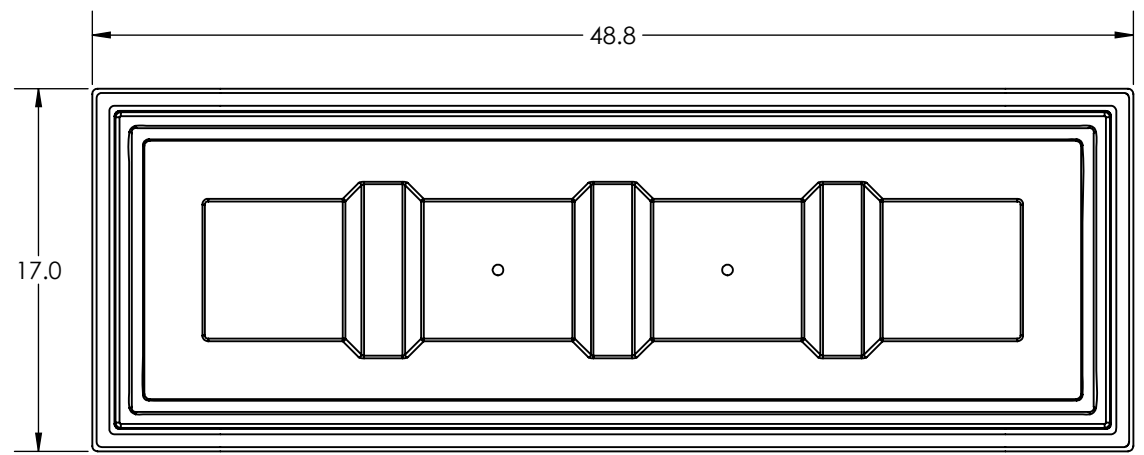
X _____

SLIGHT VARIATIONS IN COLOR AND SURFACE TEXTURE CAN OCCUR DUE TO THE NATURE OF THE TENSIL MANUFACTURING PROCESS.

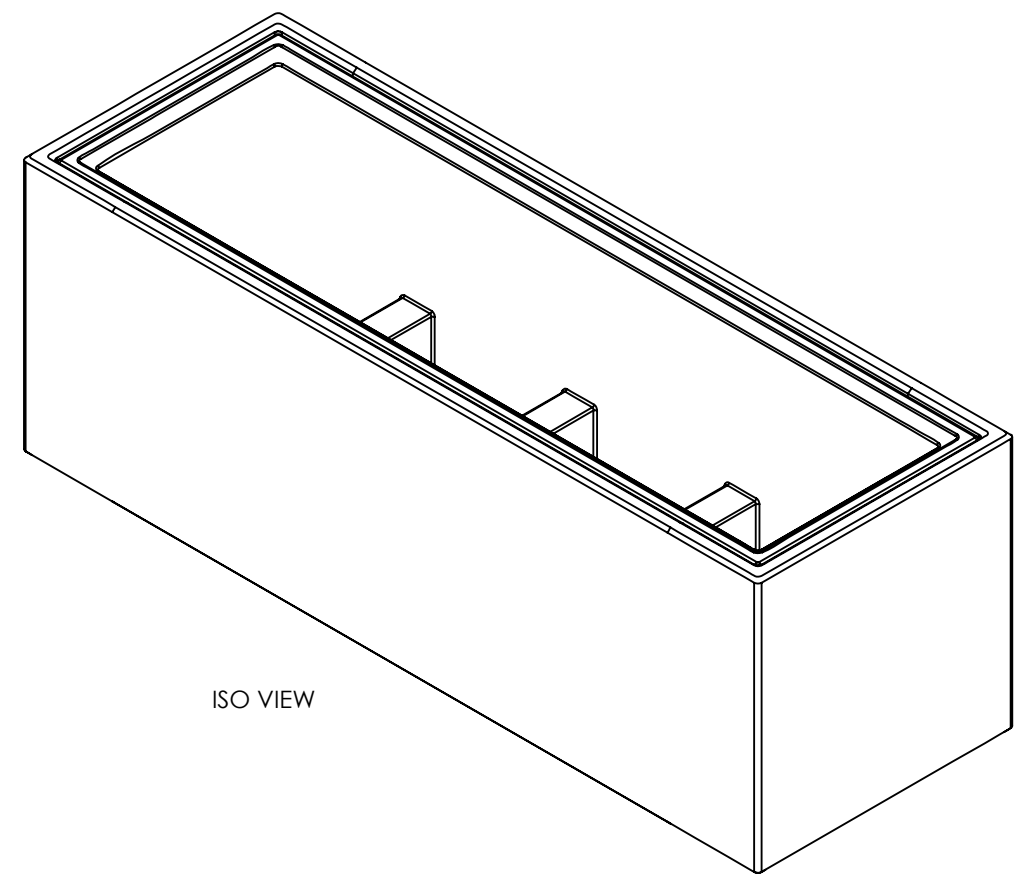
UNLESS OTHERWISE SPECIFIED: 1. PRIMARY DIM. ARE IN INCHES & SECONDARY [DIM] IN MM 2. TOLERANCES FRACTIONAL: ±1/32; ANGULAR/BEND: ±1° TWO PLACE DECIMAL ±.030 THREE PLACE DECIMAL ±.020 3. REMOVE ALL BURRS AND SHARP EDGES		 30 Pine Street, Pittsburgh, PA 15223 Tel (412) 781-9003 Fax (412) 385-4715				
 THIRD ANGLE PROJECTION MATERIAL: SEE DATA SHEET FINISH: SEE DATA SHEET WEIGHT: SEE DATA SHEET SCALE: NOT TO SCALE				DESCRIPTION: QUADRA SEATING SYSTEM 17" x 48", ALUMINUM INSET		
		NAME	DATE			
		DWN	VGN	07/22/2020		
		CHK	MGJ	07/22/2020		
		DO NOT SCALE DRAWING				
		PROPRIETARY AND CONFIDENTIAL				
		THE INFORMATION CONTAINED IN THIS DRAWING IS THE SOLE PROPERTY OF FORMS + SURFACES. ANY REPRODUCTION IN PART OR AS A WHOLE WITHOUT WRITTEN PERMISSION IS PROHIBITED.				
SIZE	DWG. NO.	REV	SHEET			
B	SBQUA-48A-CSD	0	1 OF 1			

8 7 6 5 4 3 2 1

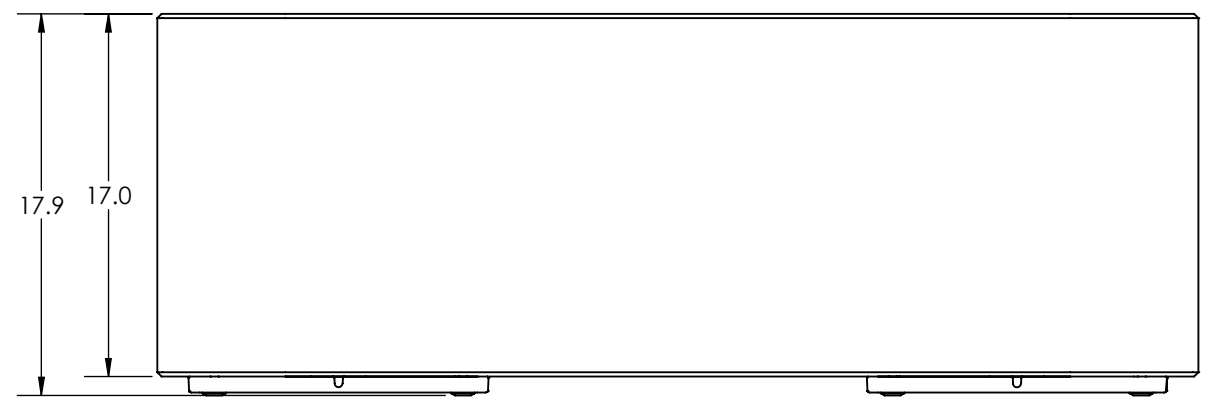
D
C
B
A



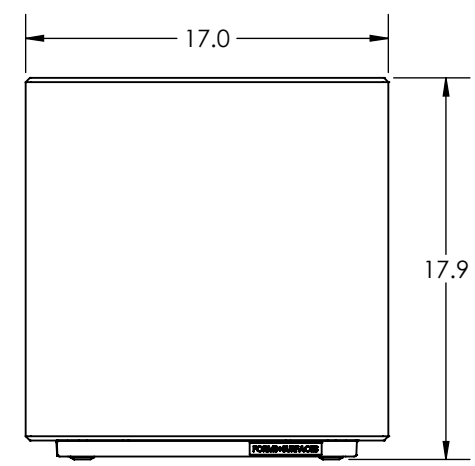
TOP VIEW



ISO VIEW



FRONT VIEW



SIDE VIEW

CUSTOMER APPROVAL:

X _____

DATE:

X _____

SLIGHT VARIATIONS IN COLOR AND SURFACE TEXTURE CAN OCCUR DUE TO THE NATURE OF THE TENSIL MANUFACTURING PROCESS.

UNLESS OTHERWISE SPECIFIED:
 1. PRIMARY DIM. ARE IN INCHES & SECONDARY [DIM] IN MM
 2. TOLERANCES
 FRACTIONAL: ±1/32; ANGULAR/BEND: ±1°
 TWO PLACE DECIMAL ±.030
 THREE PLACE DECIMAL ±.020
 3. REMOVE ALL BURRS AND SHARP EDGES
 THIRD ANGLE PROJECTION

FORMS+SURFACES 30 Pine Street, Pittsburgh, PA 15223
 Tel (412) 781-9003 Fax (412) 385-4715

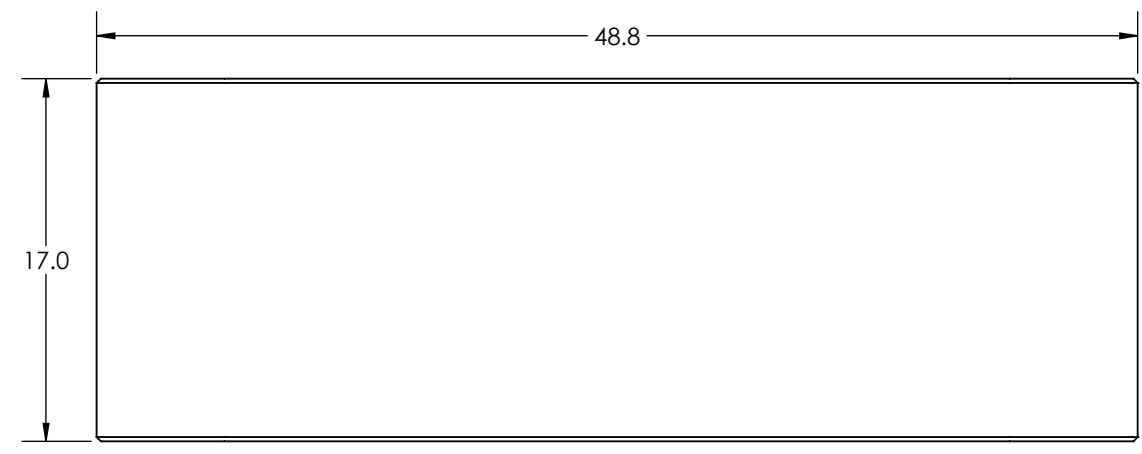
NAME	DATE
DWN VGN	07/22/2020
CHK MGJ	07/22/2020

DESCRIPTION:			
QUADRA SEATING SYSTEM 17" x 48", PLANTER LINER			
SIZE	DWG. NO.	REV	SHEET
B	SBQUA-48P-CSD	0	1 OF 1

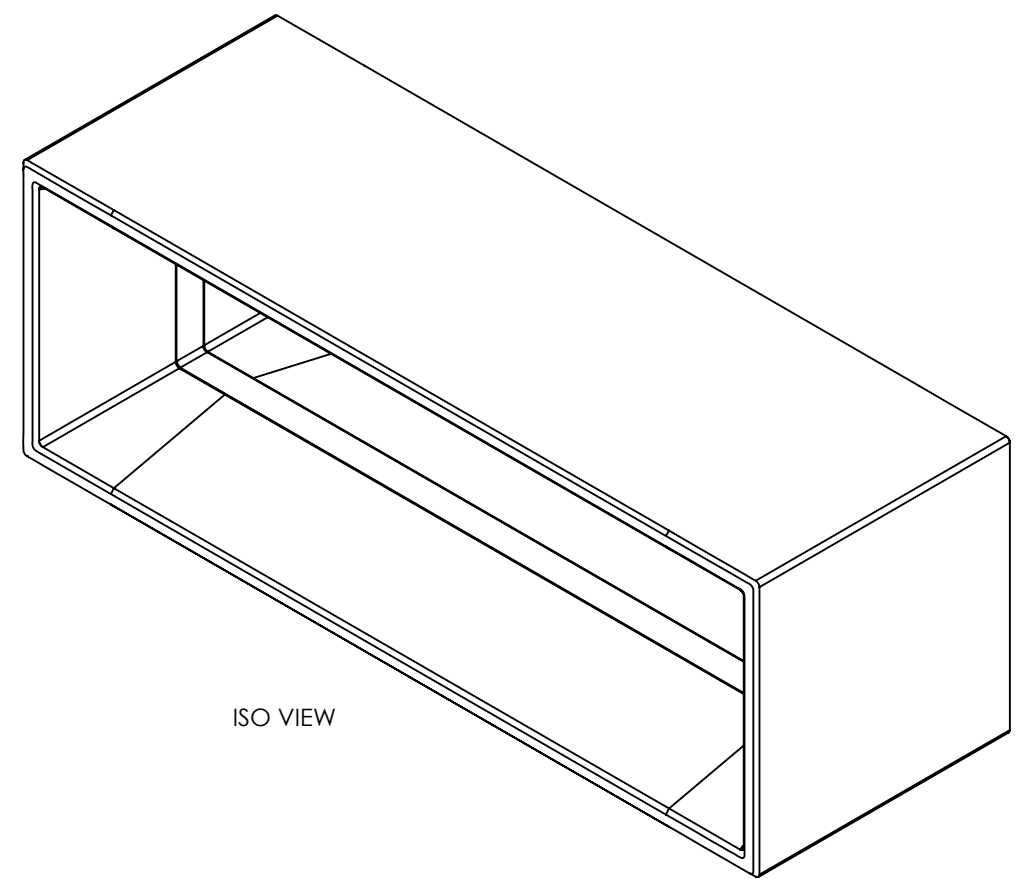
8 7 6 5 4 3 2 1

8 7 6 5 4 3 2 1

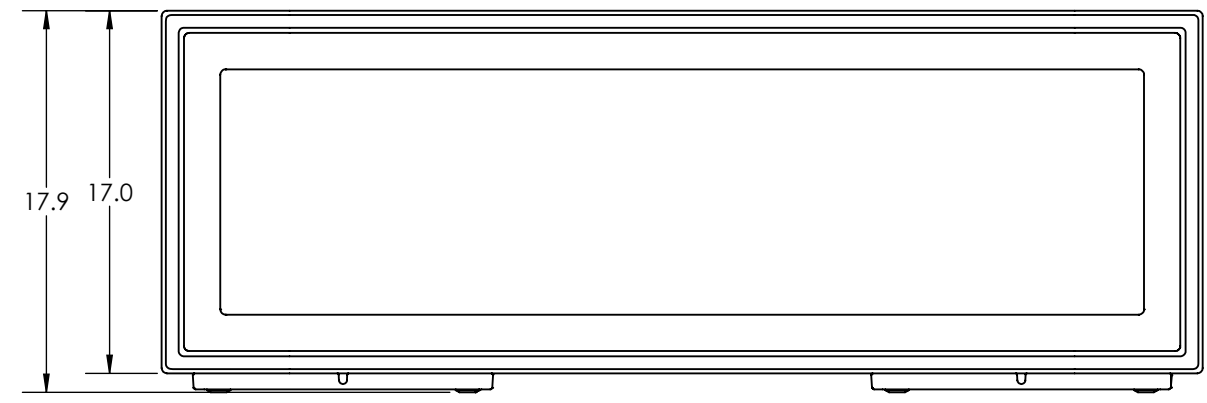
D
C
B
A



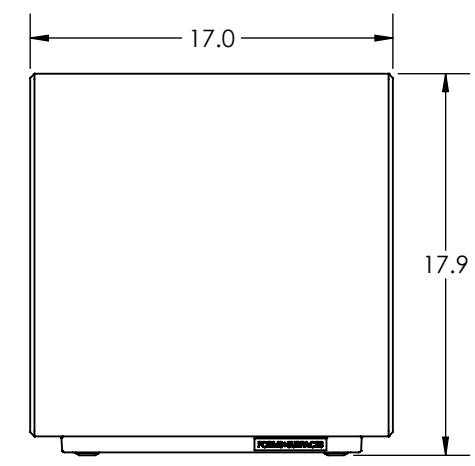
TOP VIEW



ISO VIEW



FRONT VIEW



SIDE VIEW

CUSTOMER APPROVAL:

X _____

DATE:

X _____

SLIGHT VARIATIONS IN COLOR AND SURFACE TEXTURE CAN OCCUR DUE TO THE NATURE OF THE TENSL MANUFACTURING PROCESS.

UNLESS OTHERWISE SPECIFIED:
 1. PRIMARY DIM. ARE IN INCHES & SECONDARY [DIM] IN MM
 2. TOLERANCES
 FRACTIONAL: ±1/32; ANGULAR/BEND: ±1°
 TWO PLACE DECIMAL ±.030
 THREE PLACE DECIMAL ±.020
 3. REMOVE ALL BURRS AND SHARP EDGES
 THIRD ANGLE PROJECTION
 MATERIAL: SEE DATA SHEET
 FINISH: SEE DATA SHEET
 WEIGHT: SEE DATA SHEET
 SCALE: NOT TO SCALE

FORMS+SURFACES 30 Pine Street, Pittsburgh, PA 15223
 Tel (412) 781-9003 Fax (412) 385-4715

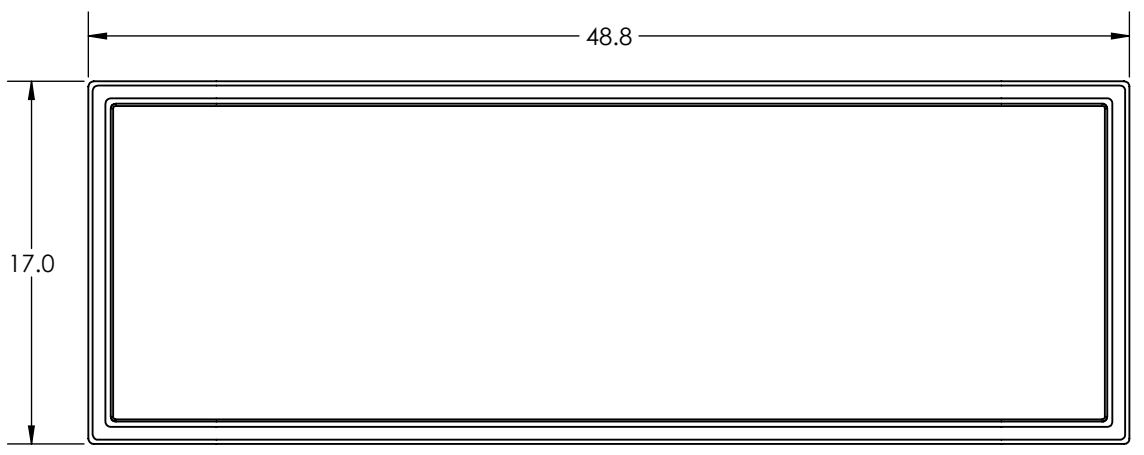
NAME	DATE
DWN VGN	07/22/2020
CHK MGJ	07/22/2020

DESCRIPTION:			
QUADRA SEATING SYSTEM			
17" x 48", FRONT-TO-BACK APERTURE, NO INSET			
SIZE	DWG. NO.	REV	SHEET
B	SBQUA-48S-CSD	0	1 OF 1

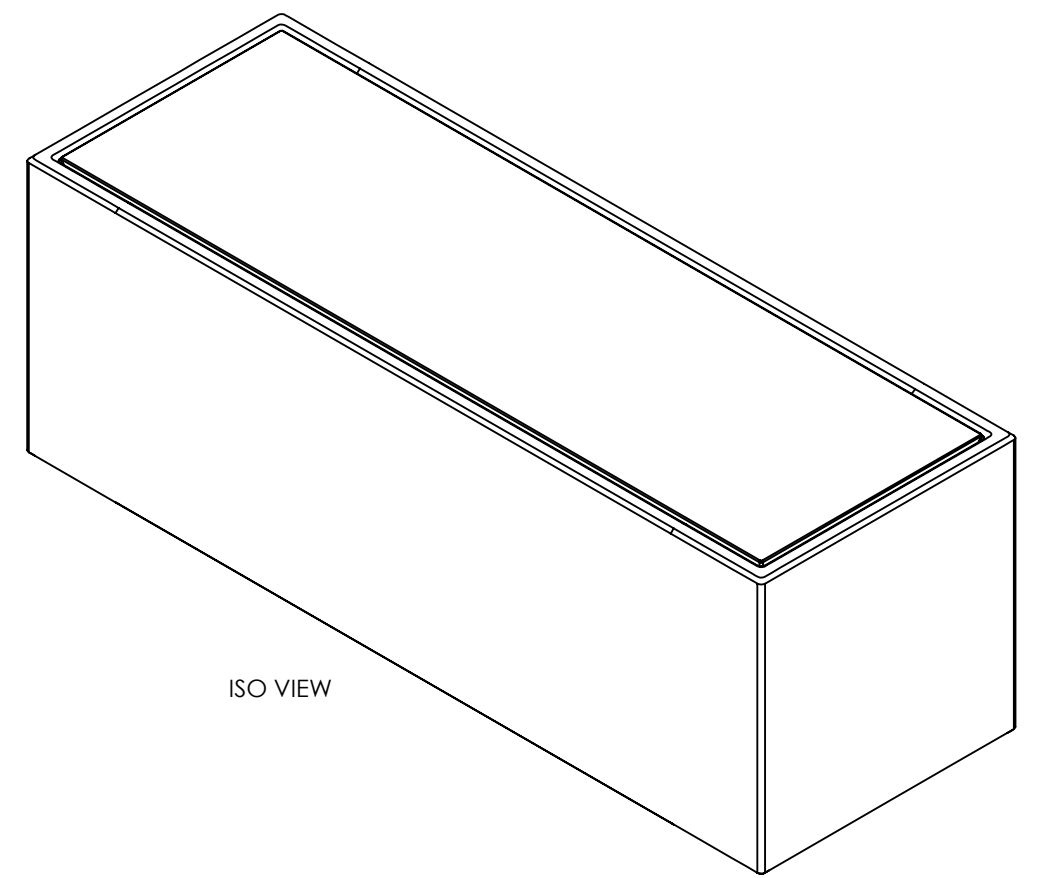
8 7 6 5 4 3 2 1

8 7 6 5 4 3 2 1

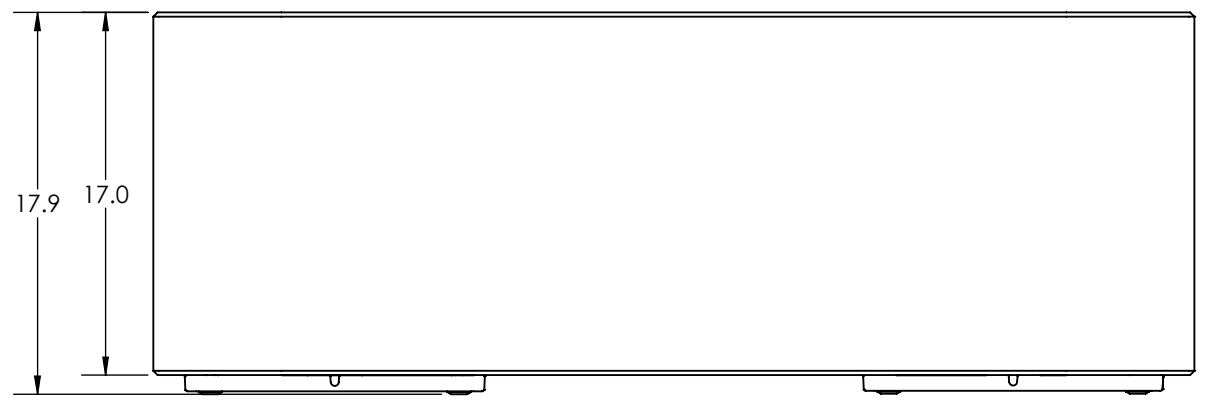
D
C
B
A



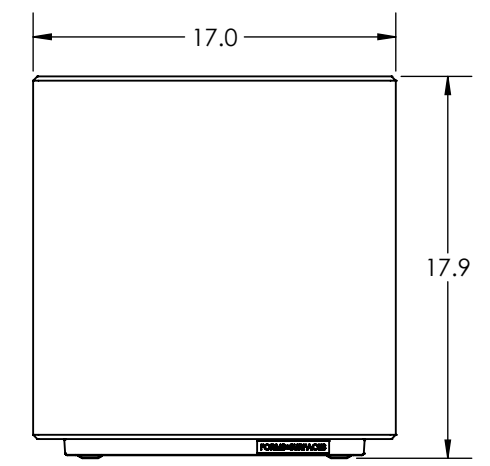
TOP VIEW



ISO VIEW



FRONT VIEW



SIDE VIEW

CUSTOMER APPROVAL:

X _____

DATE:

X _____

SLIGHT VARIATIONS IN COLOR AND SURFACE TEXTURE CAN OCCUR DUE TO THE NATURE OF THE TENSL MANUFACTURING PROCESS.

UNLESS OTHERWISE SPECIFIED:
 1. PRIMARY DIM. ARE IN INCHES & SECONDARY [DIM] IN MM
 2. TOLERANCES
 FRACTIONAL: ±1/32; ANGULAR/BEND: ±1°
 TWO PLACE DECIMAL ±.030
 THREE PLACE DECIMAL ±.020
 3. REMOVE ALL BURRS AND SHARP EDGES
 THIRD ANGLE PROJECTION

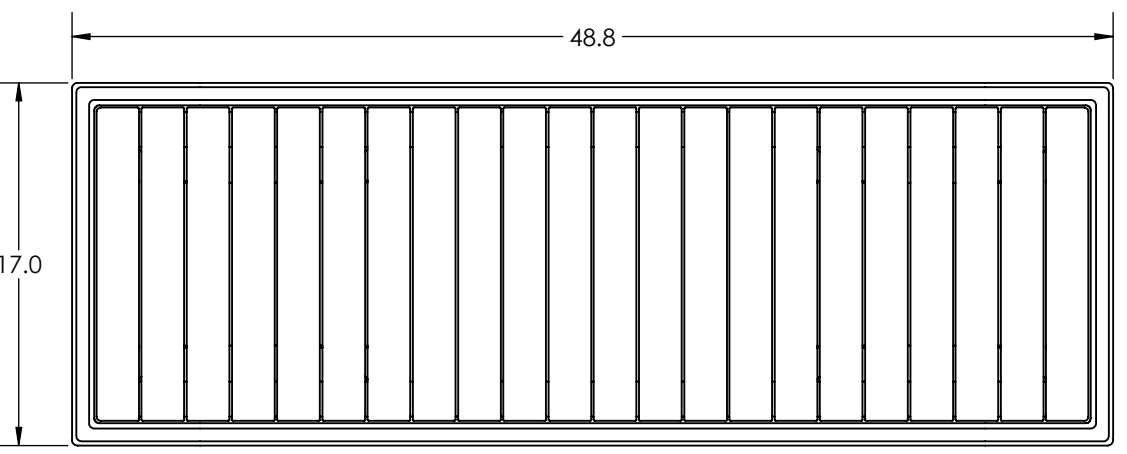
FORMS+SURFACES 30 Pine Street, Pittsburgh, PA 15223
 Tel (412) 781-9003 Fax (412) 385-4715

NAME		DATE		DESCRIPTION:			
DWN	VGN	07/22/2020		QUADRA SEATING SYSTEM 17" x 48", TENSL UHPC INSET			
CHK	MGJ	07/22/2020					
MATERIAL: SEE DATA SHEET				DO NOT SCALE DRAWING			
FINISH: SEE DATA SHEET				PROPRIETARY AND CONFIDENTIAL			
WEIGHT: SEE DATA SHEET				THE INFORMATION CONTAINED IN THIS DRAWING IS THE SOLE PROPERTY OF FORMS + SURFACES. ANY REPRODUCTION IN PART OR AS A WHOLE WITHOUT WRITTEN PERMISSION IS PROHIBITED.			
SCALE: NOT TO SCALE				SIZE	DWG. NO.	REV	SHEET
				B	SBQUA-48T-CSD	0	1 OF 1

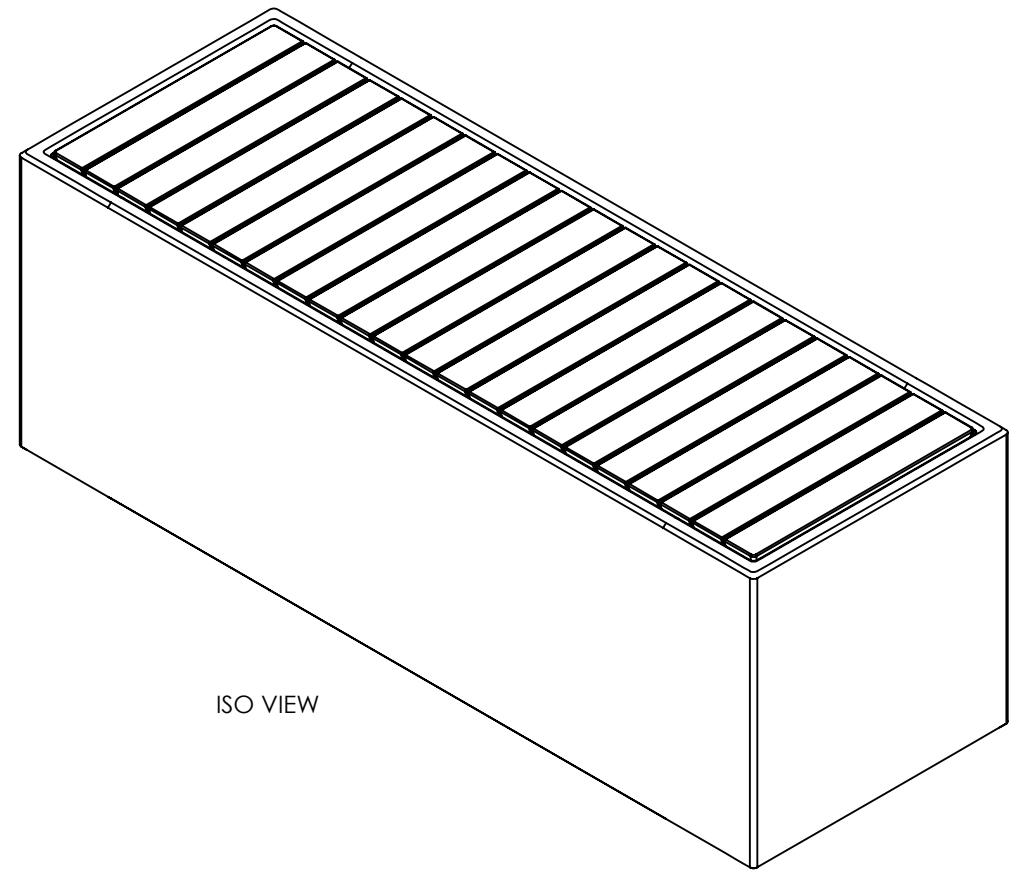
8 7 6 5 4 3 2 1

8 7 6 5 4 3 2 1

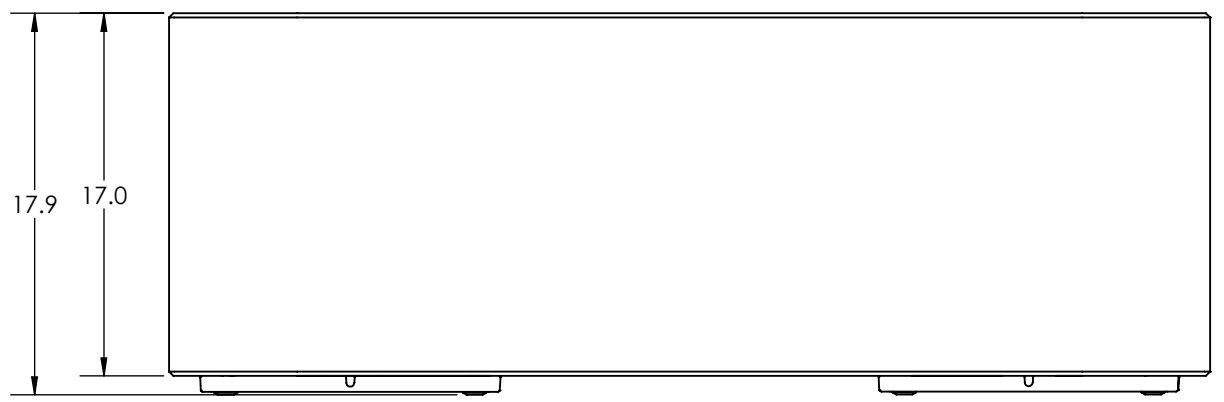
D
C
B
A



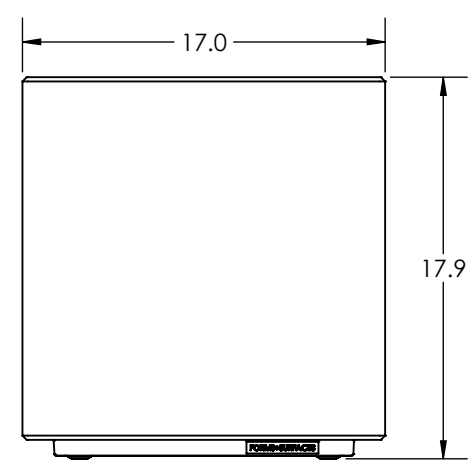
TOP VIEW



ISO VIEW



FRONT VIEW



SIDE VIEW

CUSTOMER APPROVAL:

X _____

DATE:

X _____

SLIGHT VARIATIONS IN COLOR AND SURFACE TEXTURE CAN OCCUR DUE TO THE NATURE OF THE TENSL MANUFACTURING PROCESS.

UNLESS OTHERWISE SPECIFIED:
 1. PRIMARY DIM. ARE IN INCHES & SECONDARY [DIM] IN MM
 2. TOLERANCES
 FRACTIONAL: ±1/32; ANGULAR/BEND: ±1°
 TWO PLACE DECIMAL ±.030
 THREE PLACE DECIMAL ±.020
 3. REMOVE ALL BURRS AND SHARP EDGES
 THIRD ANGLE PROJECTION

FORMS+SURFACES 30 Pine Street, Pittsburgh, PA 15223
 Tel (412) 781-9003 Fax (412) 385-4715

NAME		DATE		DESCRIPTION:			
DWN	VGN	07/22/2020		QUADRA SEATING SYSTEM 17" x 48", HARDWOOD INSET			
CHK	MGJ	07/22/2020					
MATERIAL: SEE DATA SHEET				DO NOT SCALE DRAWING			
FINISH: SEE DATA SHEET				PROPRIETARY AND CONFIDENTIAL			
WEIGHT: SEE DATA SHEET				THE INFORMATION CONTAINED IN THIS DRAWING IS THE SOLE PROPERTY OF FORMS + SURFACES. ANY REPRODUCTION IN PART OR AS A WHOLE WITHOUT WRITTEN PERMISSION IS PROHIBITED.			
SCALE: NOT TO SCALE				SIZE	DWG. NO.	REV	SHEET
				B	SBQUA-48W-CSD	0	1 OF 1

8 7 6 5 4 3 2 1