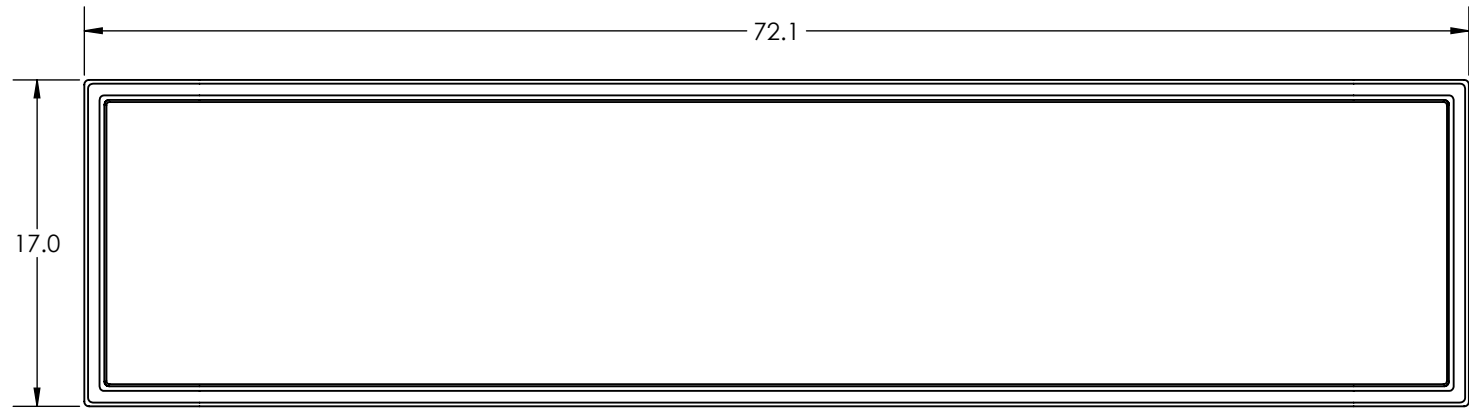


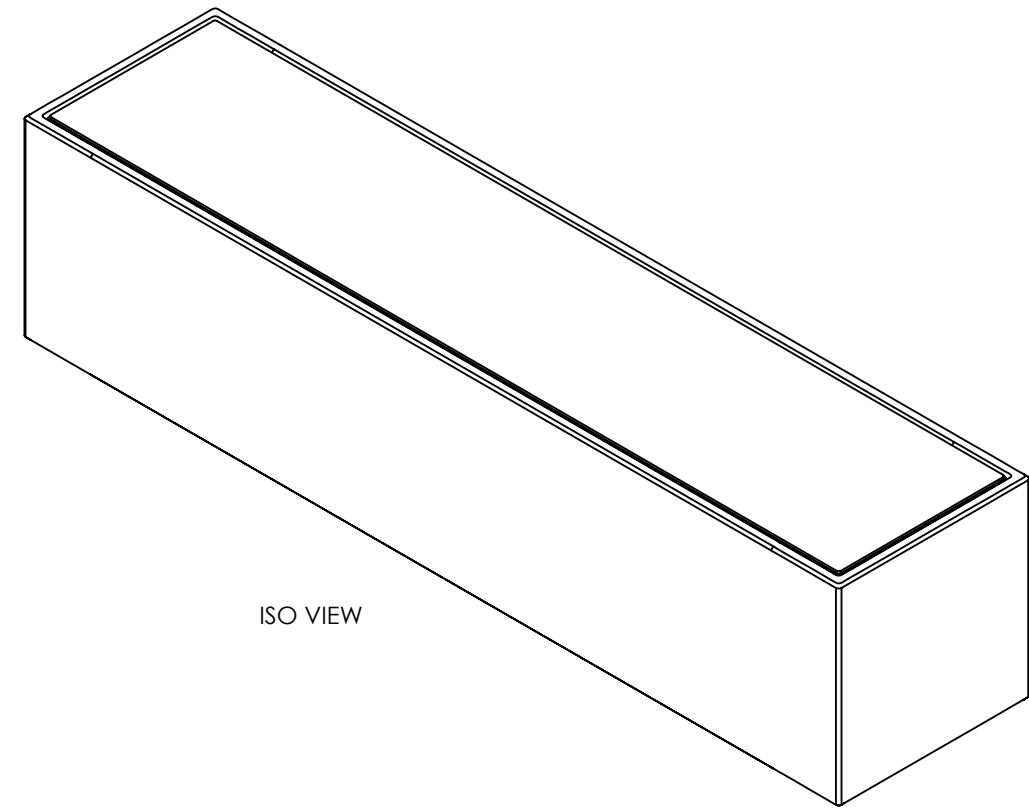
8 7 6 5 4 3 2 1

D

D



TOP VIEW



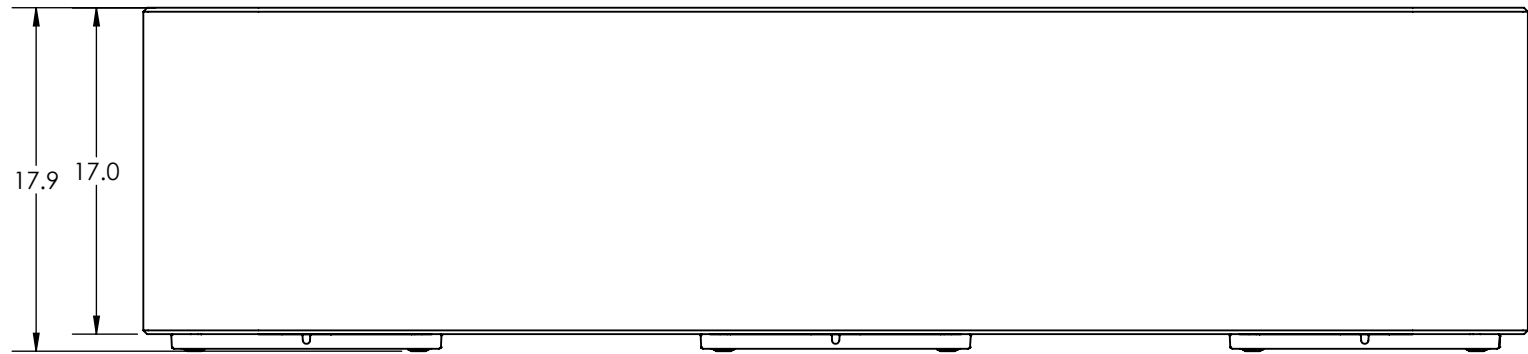
ISO VIEW

C

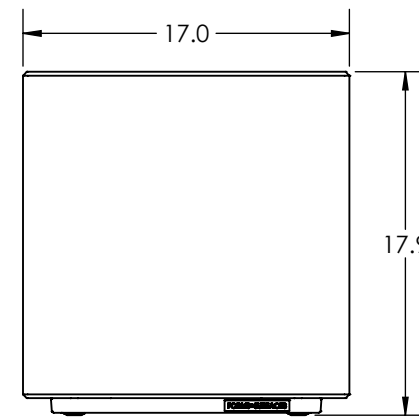
C

B

B



FRONT VIEW



SIDE VIEW

CUSTOMER APPROVAL:

X _____

DATE:

X _____

A

A

SLIGHT VARIATIONS IN COLOR AND SURFACE TEXTURE CAN OCCUR DUE TO THE NATURE OF THE TENSIL MANUFACTURING PROCESS.

UNLESS OTHERWISE SPECIFIED:
 1. PRIMARY DIM. ARE IN INCHES & SECONDARY [DIM] IN MM
 2. TOLERANCES
 FRACTIONAL: ±1/32; ANGULAR/BEND: ±1°
 TWO PLACE DECIMAL ±.030
 THREE PLACE DECIMAL ±.020
 3. REMOVE ALL BURRS AND SHARP EDGES



MATERIAL: SEE DATA SHEET

FINISH: SEE DATA SHEET

WEIGHT: SEE DATA SHEET

SCALE: NOT TO SCALE

FORMS+SURFACES 30 Pine Street, Pittsburgh, PA 15223
 Tel (412) 781-9003 Fax (412) 385-4715

NAME	DATE
DWN VGN	07/22/2020
CHK MGJ	07/22/2020

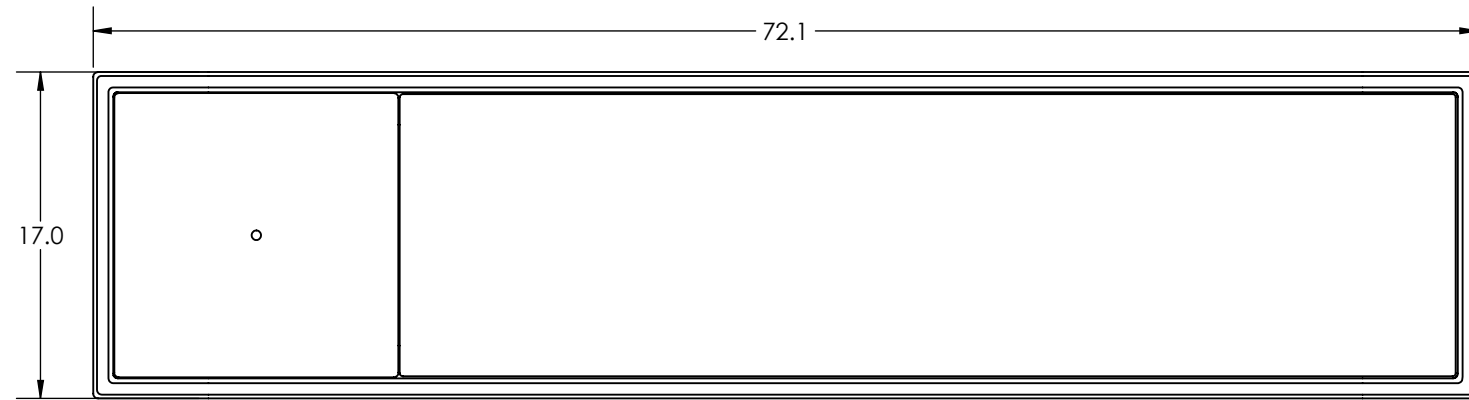
DO NOT SCALE DRAWING
 PROPRIETARY AND CONFIDENTIAL
 THE INFORMATION CONTAINED IN THIS DRAWING IS THE SOLE PROPERTY OF FORMS + SURFACES. ANY REPRODUCTION IN PART OR AS A WHOLE WITHOUT WRITTEN PERMISSION IS PROHIBITED.

DESCRIPTION:			
QUADRA SEATING SYSTEM 17" x 72", ALUMINUM INSET			
SIZE	DWG. NO.	REV	SHEET
B	SBQUA-72A-CSD	0	1 OF 1

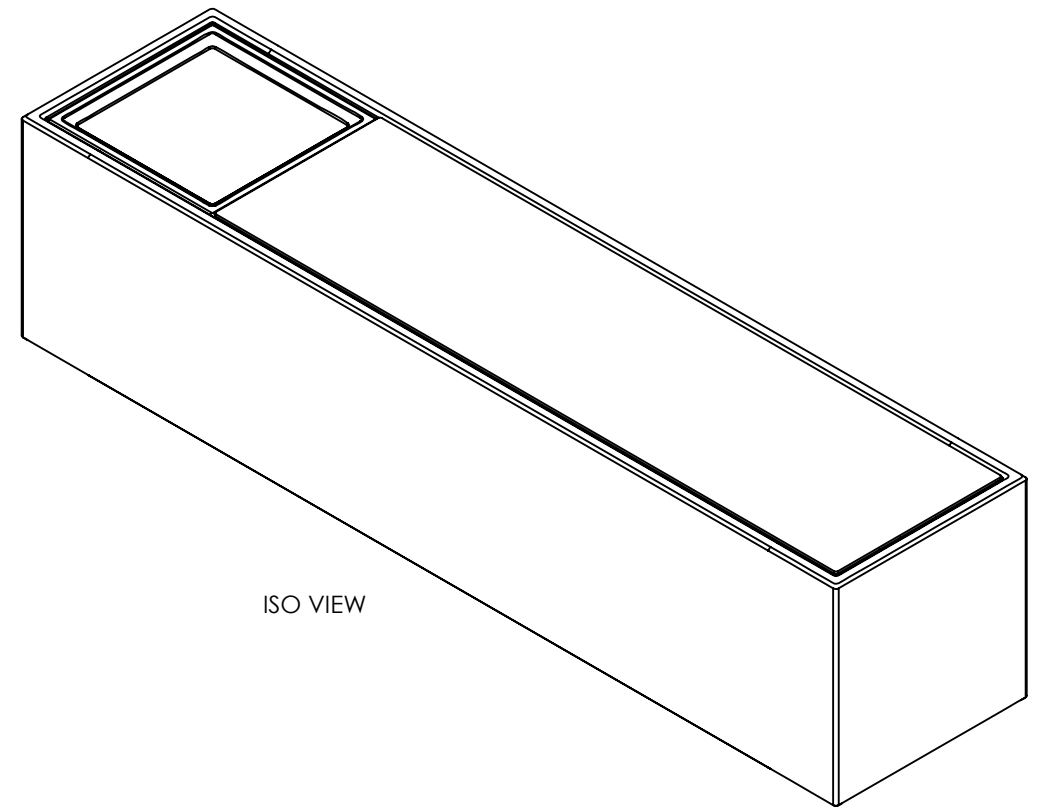
8 7 6 5 4 3 2 1

8 7 6 5 4 3 2 1

D



TOP VIEW



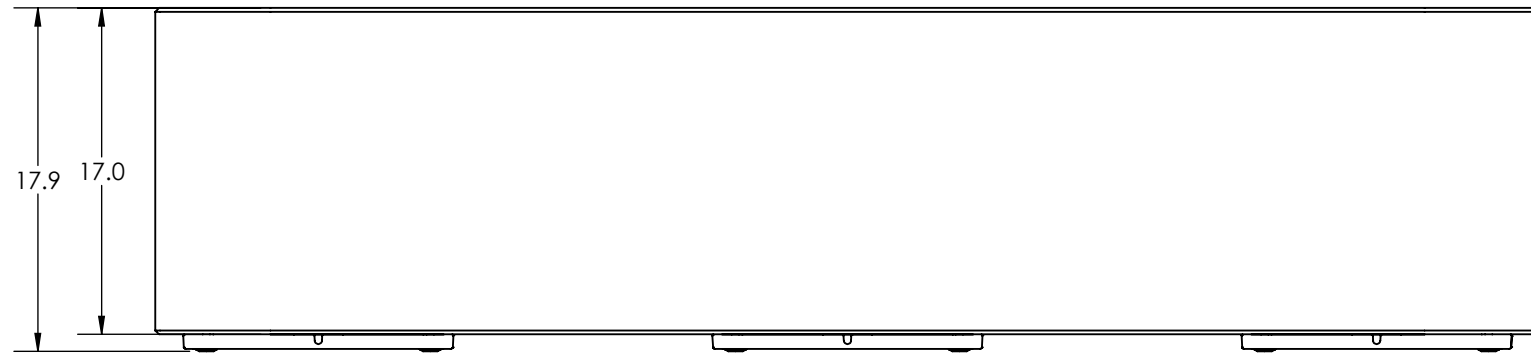
ISO VIEW

C

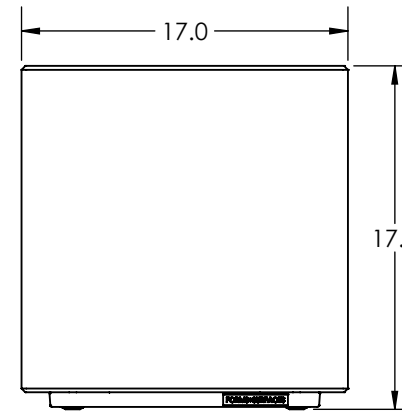
C

B

B



FRONT VIEW



SIDE VIEW

CUSTOMER APPROVAL:

X _____

DATE:

X _____

A

A

SLIGHT VARIATIONS IN COLOR AND SURFACE TEXTURE CAN OCCUR DUE TO THE NATURE OF THE TENSIL MANUFACTURING PROCESS.

UNLESS OTHERWISE SPECIFIED:
 1. PRIMARY DIM. ARE IN INCHES & SECONDARY [DIM] IN MM
 2. TOLERANCES
 FRACTIONAL: ±1/32; ANGULAR/BEND: ±1°
 TWO PLACE DECIMAL ±.030
 THREE PLACE DECIMAL ±.020
 3. REMOVE ALL BURRS AND SHARP EDGES



MATERIAL: SEE DATA SHEET

FINISH: SEE DATA SHEET

WEIGHT: SEE DATA SHEET

SCALE: NOT TO SCALE

FORMS+SURFACES 30 Pine Street, Pittsburgh, PA 15223
 Tel (412) 781-9003 Fax (412) 385-4715

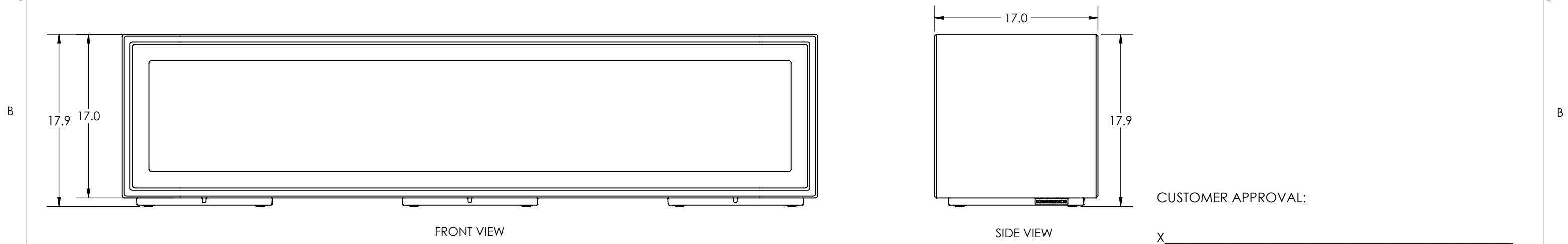
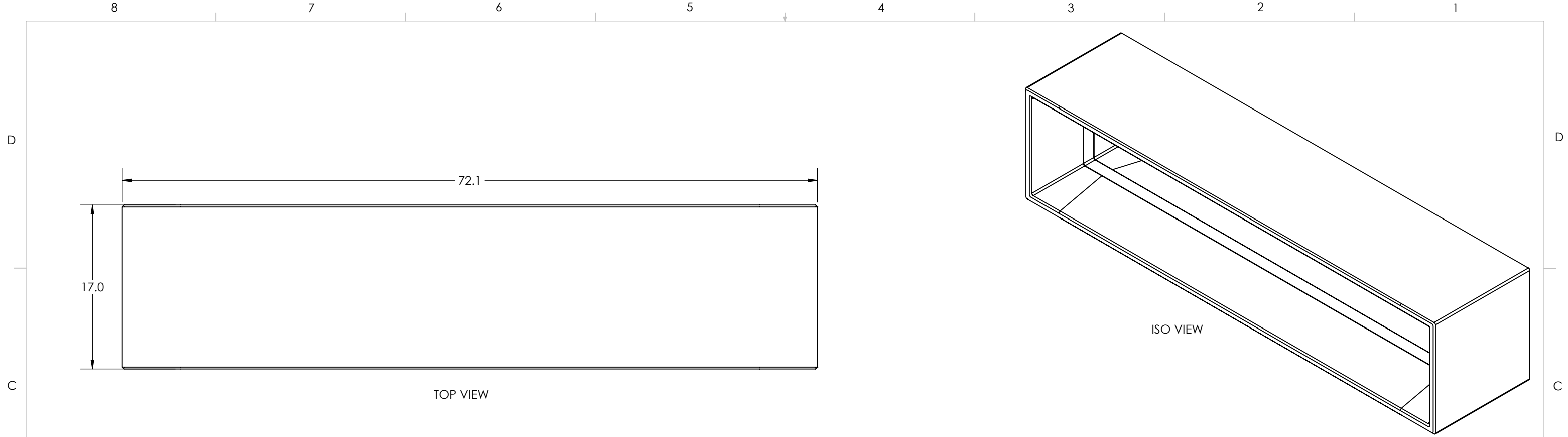
NAME	DATE
DWN VGN	07/22/2020
CHK MGJ	07/22/2020

DO NOT SCALE DRAWING

PROPRIETARY AND CONFIDENTIAL
 THE INFORMATION CONTAINED IN THIS DRAWING IS THE SOLE PROPERTY OF FORMS + SURFACES. ANY REPRODUCTION IN PART OR AS A WHOLE WITHOUT WRITTEN PERMISSION IS PROHIBITED.

DESCRIPTION:			
QUADRA SEATING SYSTEM			
17" x 72", ALUMINUM INSET WITH PLANTER LINER			
SIZE	DWG. NO.	REV	SHEET
B	SBQUA-72AP-CSD	0	1 OF 1

8 7 6 5 4 3 2 1



CUSTOMER APPROVAL:

X _____

DATE:

X _____

SLIGHT VARIATIONS IN COLOR AND SURFACE TEXTURE CAN OCCUR DUE TO THE NATURE OF THE TENSLE MANUFACTURING PROCESS.

UNLESS OTHERWISE SPECIFIED:
 1. PRIMARY DIM. ARE IN INCHES & SECONDARY [DIM] IN MM
 2. TOLERANCES
 FRACTIONAL: ±1/32; ANGULAR/BEND: ±1°
 TWO PLACE DECIMAL ±.030
 THREE PLACE DECIMAL ±.020
 3. REMOVE ALL BURRS AND SHARP EDGES

THIRD ANGLE PROJECTION

MATERIAL: SEE DATA SHEET
 FINISH: SEE DATA SHEET
 WEIGHT: SEE DATA SHEET
 SCALE: NOT TO SCALE

FORMS+SURFACES 30 Pine Street, Pittsburgh, PA 15223
 Tel (412) 781-9003 Fax (412) 385-4715

NAME	DATE	DESCRIPTION:
DWN VGN	07/22/2020	QUADRA SEATING SYSTEM 17" x 72", FRONT-TO-BACK APERTURE, NO INSET
CHK MGJ	07/22/2020	

DO NOT SCALE DRAWING

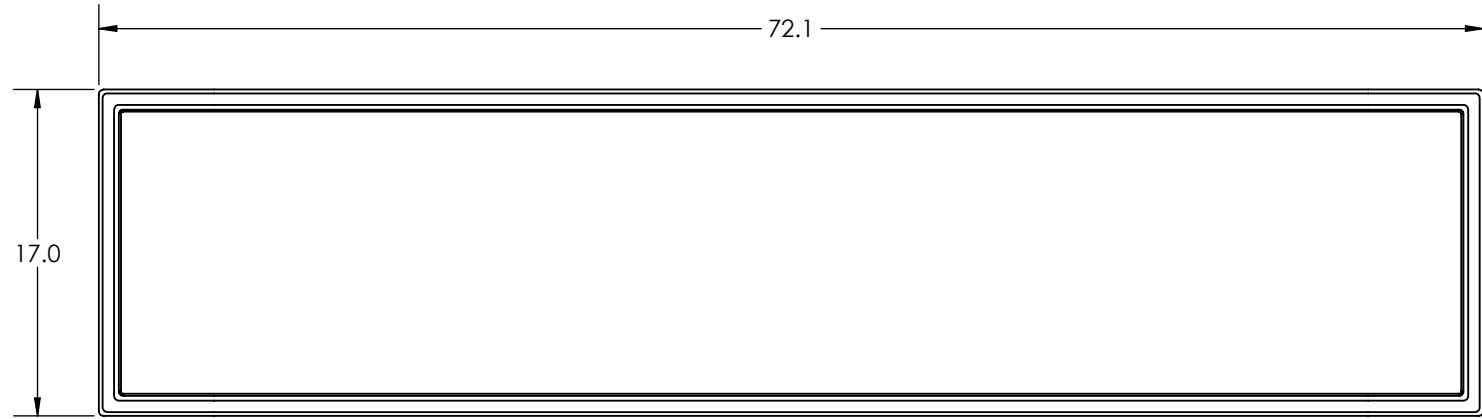
PROPRIETARY AND CONFIDENTIAL
 THE INFORMATION CONTAINED IN THIS DRAWING IS THE SOLE PROPERTY OF FORMS + SURFACES. ANY REPRODUCTION IN PART OR AS A WHOLE WITHOUT WRITTEN PERMISSION IS PROHIBITED.

SIZE	DWG. NO.	REV	SHEET
B	SBQUA-72S-CSD	0	1 OF 1

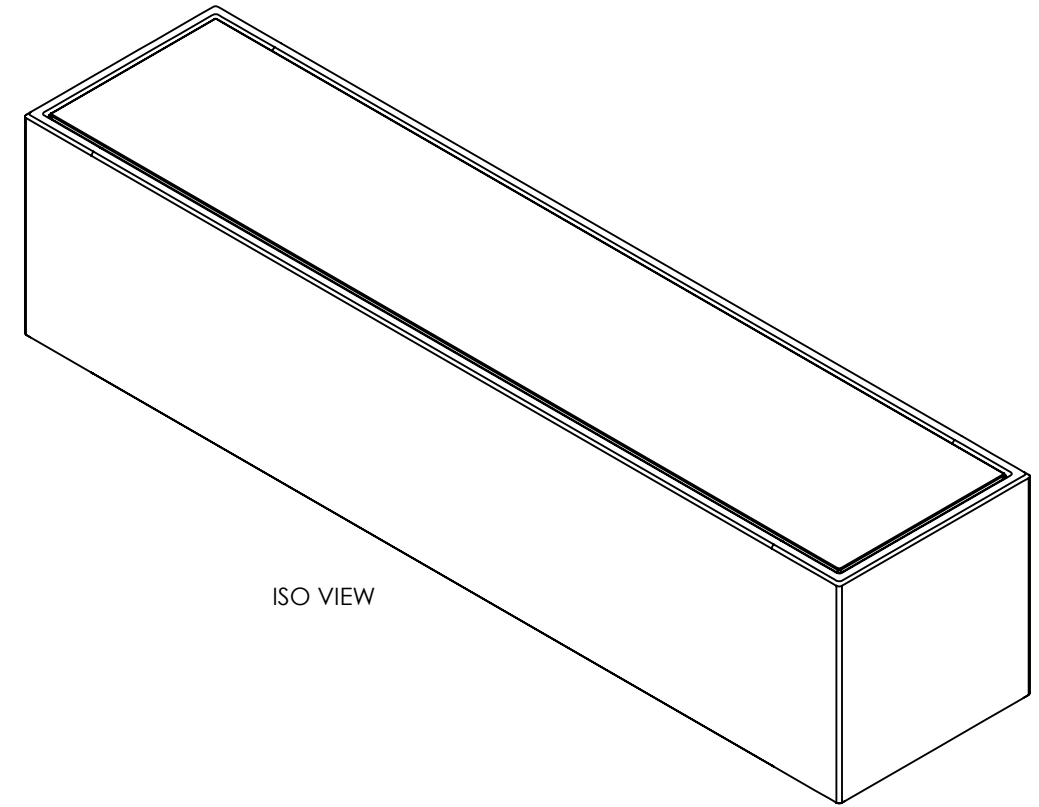
8 7 6 5 4 3 2 1

D

D



TOP VIEW



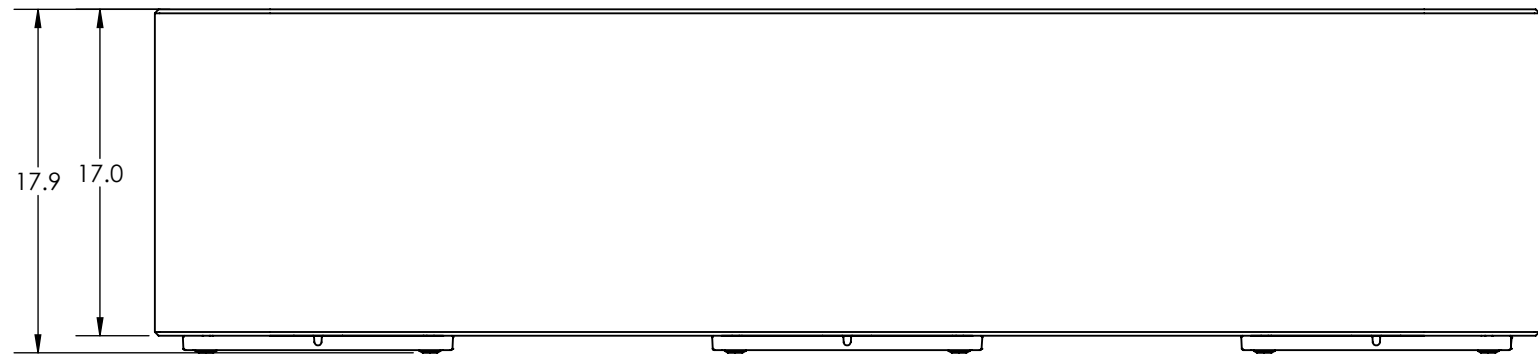
ISO VIEW

C

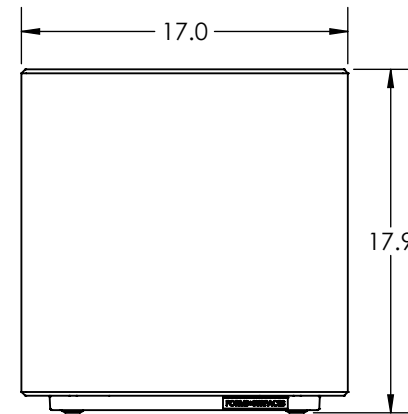
C

B

B



FRONT VIEW



SIDE VIEW

CUSTOMER APPROVAL:

X _____

DATE:

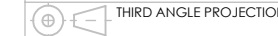
X _____

A

A

SLIGHT VARIATIONS IN COLOR AND SURFACE TEXTURE CAN OCCUR DUE TO THE NATURE OF THE TENSL MANUFACTURING PROCESS.

UNLESS OTHERWISE SPECIFIED:
 1. PRIMARY DIM. ARE IN INCHES & SECONDARY [DIM] IN MM
 2. TOLERANCES
 FRACTIONAL: ±1/32; ANGULAR/BEND: ±1°
 TWO PLACE DECIMAL ±.030
 THREE PLACE DECIMAL ±.020
 3. REMOVE ALL BURRS AND SHARP EDGES



MATERIAL: SEE DATA SHEET

FINISH: SEE DATA SHEET

WEIGHT: SEE DATA SHEET

SCALE: NOT TO SCALE

FORMS+SURFACES 30 Pine Street, Pittsburgh, PA 15223
 Tel (412) 781-9003 Fax (412) 385-4715

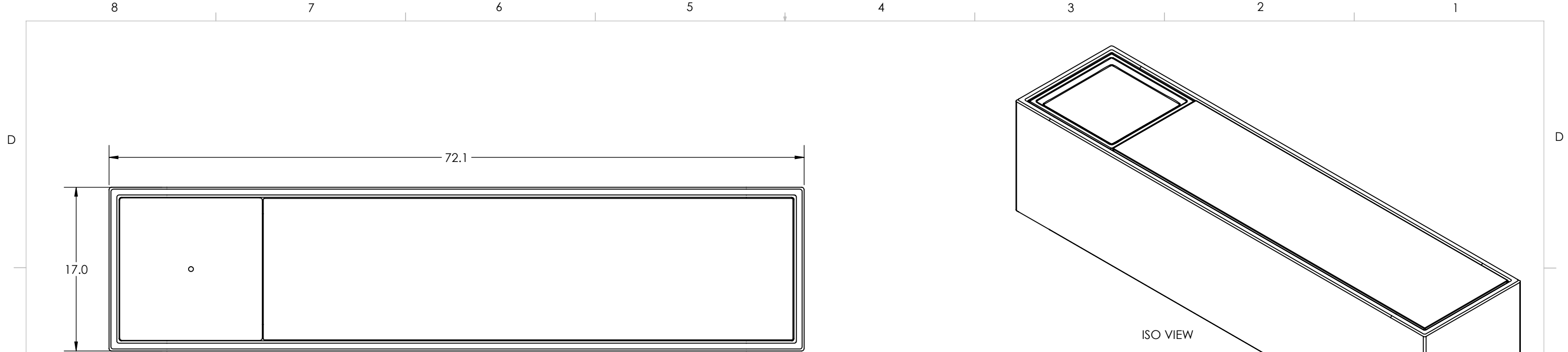
NAME	DATE
DWN VGN	07/22/2020
CHK MGJ	07/22/2020

DO NOT SCALE DRAWING

PROPRIETARY AND CONFIDENTIAL
 THE INFORMATION CONTAINED IN THIS DRAWING IS THE SOLE PROPERTY OF FORMS + SURFACES. ANY REPRODUCTION IN PART OR AS A WHOLE WITHOUT WRITTEN PERMISSION IS PROHIBITED.

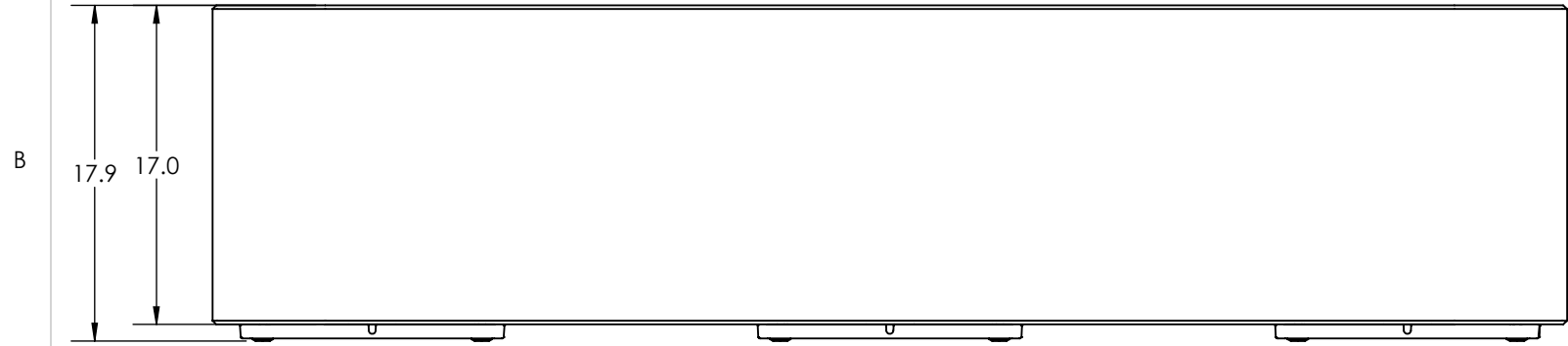
DESCRIPTION:			
QUADRA SEATING SYSTEM 17" x 72", TENSL UHPC INSET			
SIZE	DWG. NO.	REV	SHEET
B	SBQUA-72T-CSD	0	1 OF 1

8 7 6 5 4 3 2 1

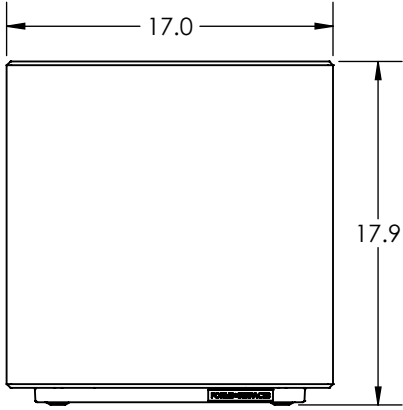


TOP VIEW

ISO VIEW



FRONT VIEW



SIDE VIEW

CUSTOMER APPROVAL:

X _____

DATE:

X _____

SLIGHT VARIATIONS IN COLOR AND SURFACE TEXTURE CAN OCCUR DUE TO THE NATURE OF THE TENSL MANUFACTURING PROCESS.

UNLESS OTHERWISE SPECIFIED:
 1. PRIMARY DIM. ARE IN INCHES & SECONDARY [DIM] IN MM
 2. TOLERANCES
 FRACTIONAL: ±1/32; ANGULAR/BEND: ±1°
 TWO PLACE DECIMAL ±.030
 THREE PLACE DECIMAL ±.020
 3. REMOVE ALL BURRS AND SHARP EDGES
 THIRD ANGLE PROJECTION



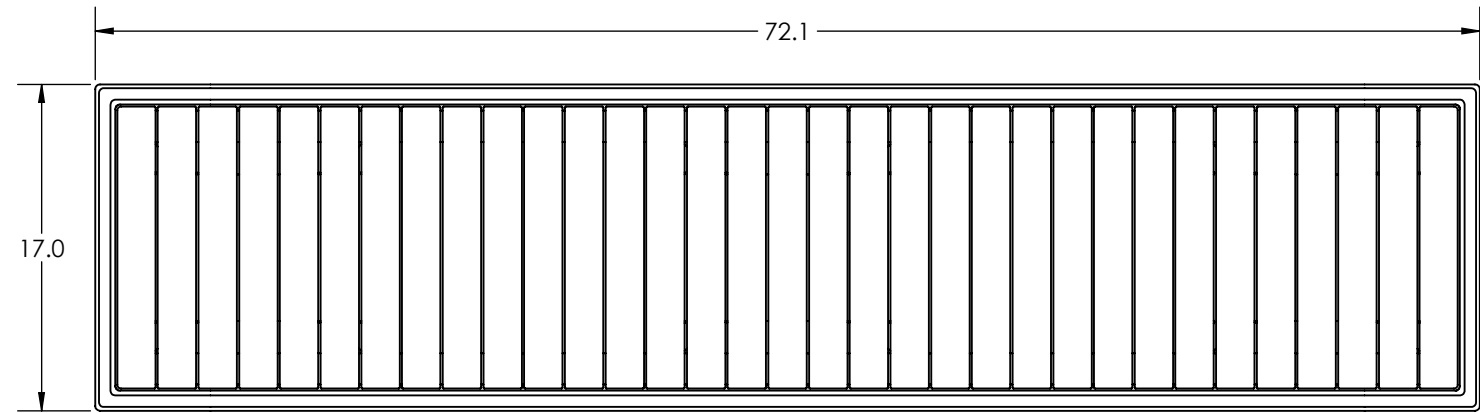
30 Pine Street, Pittsburgh, PA 15223
 Tel (412) 781-9003 Fax (412) 385-4715

NAME		DATE		DESCRIPTION: QUADRA SEATING SYSTEM 17" x 72", TENSL UHPC INSET WITH PLANTER LINER
DWN	VGN	07/22/2020		
CHK	MGJ	07/22/2020		
MATERIAL: SEE DATA SHEET		DO NOT SCALE DRAWING		
FINISH: SEE DATA SHEET		PROPRIETARY AND CONFIDENTIAL		
WEIGHT: SEE DATA SHEET		THE INFORMATION CONTAINED IN THIS DRAWING IS THE SOLE PROPERTY OF FORMS + SURFACES. ANY REPRODUCTION IN PART OR AS A WHOLE WITHOUT WRITTEN PERMISSION IS PROHIBITED.		
SCALE: NOT TO SCALE				
SIZE	DWG. NO.	REV	SHEET	
B	SBQUA-72TP-CSD	0	1 OF 1	

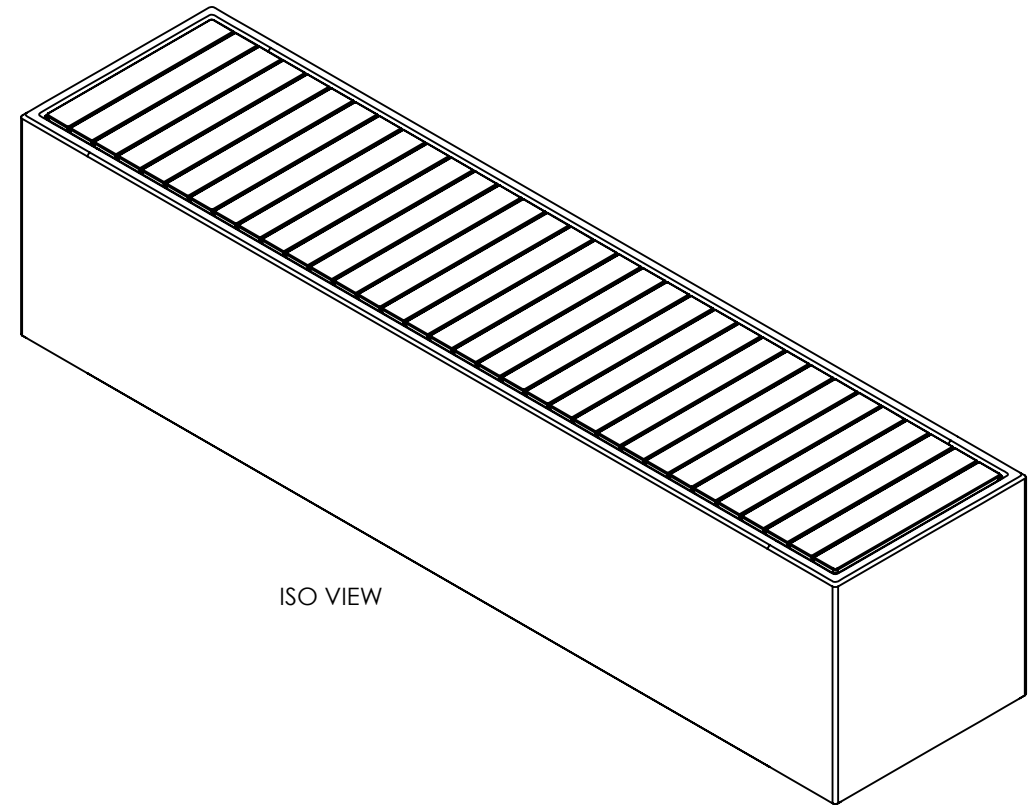
8 7 6 5 4 3 2 1

D

D



TOP VIEW



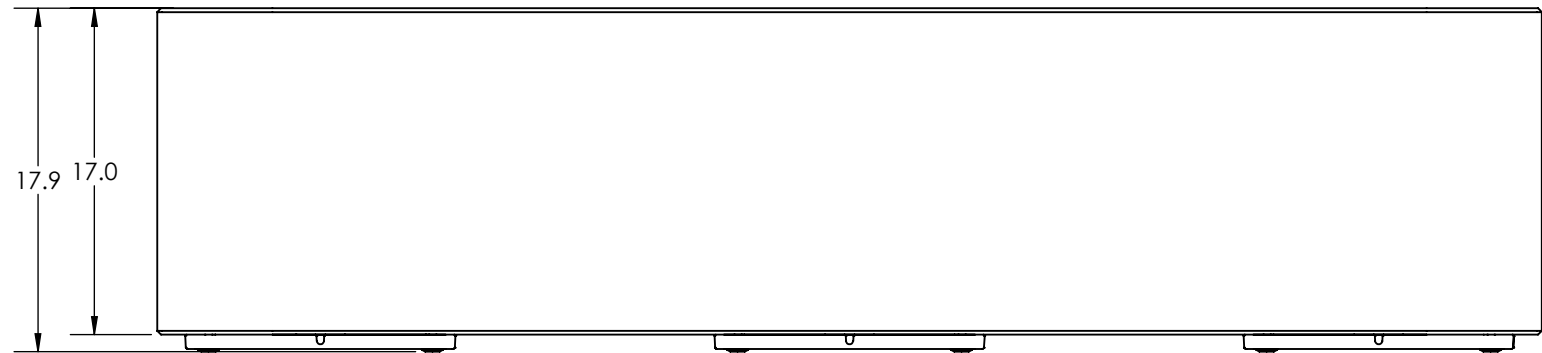
ISO VIEW

C

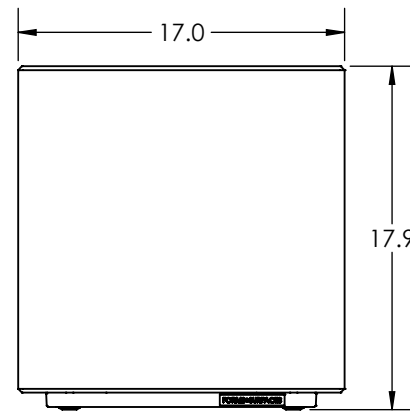
C

B

B



FRONT VIEW



SIDE VIEW

CUSTOMER APPROVAL:

X _____

DATE:

X _____

A

A

SLIGHT VARIATIONS IN COLOR AND SURFACE TEXTURE CAN OCCUR DUE TO THE NATURE OF THE TENSL MANUFACTURING PROCESS.

UNLESS OTHERWISE SPECIFIED:
 1. PRIMARY DIM. ARE IN INCHES & SECONDARY [DIM] IN MM
 2. TOLERANCES
 FRACTIONAL: ±1/32; ANGULAR/BEND: ±1°
 TWO PLACE DECIMAL ±.030
 THREE PLACE DECIMAL ±.020
 3. REMOVE ALL BURRS AND SHARP EDGES



MATERIAL: SEE DATA SHEET

FINISH: SEE DATA SHEET

WEIGHT: SEE DATA SHEET

SCALE: NOT TO SCALE

FORMS+SURFACES 30 Pine Street, Pittsburgh, PA 15223
 Tel (412) 781-9003 Fax (412) 385-4715

NAME	DATE
DWN VGN	07/22/2020
CHK MGJ	07/22/2020

DO NOT SCALE DRAWING

PROPRIETARY AND CONFIDENTIAL
 THE INFORMATION CONTAINED IN THIS DRAWING IS THE SOLE PROPERTY OF FORMS + SURFACES. ANY REPRODUCTION IN PART OR AS A WHOLE WITHOUT WRITTEN PERMISSION IS PROHIBITED.

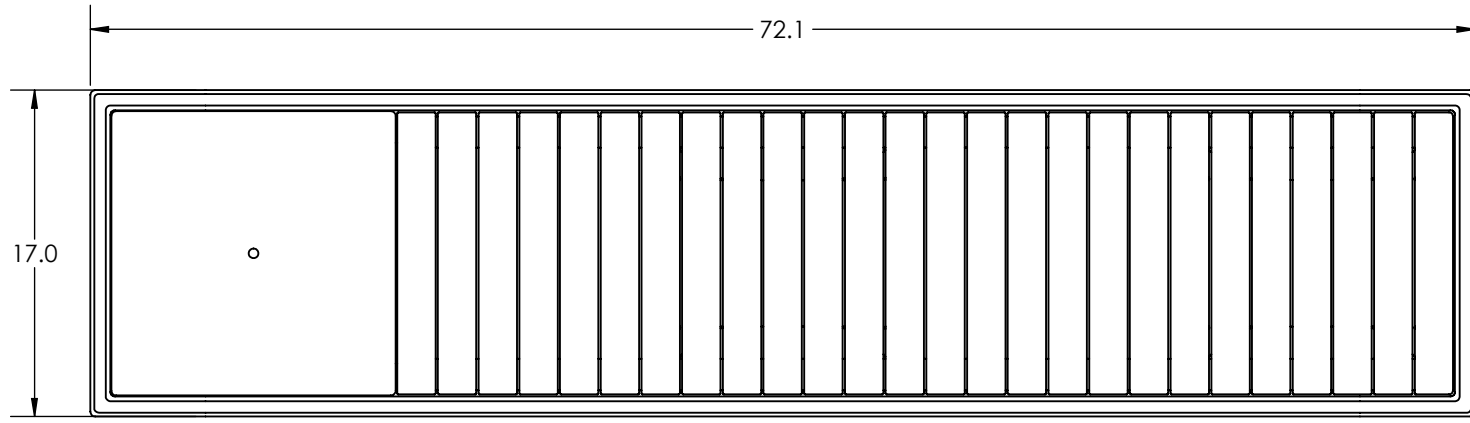
DESCRIPTION:			
QUADRA SEATING SYSTEM 17" x 72", HARDWOOD INSET			
SIZE	DWG. NO.	REV	SHEET
B	SBQUA-72W-CSD	0	1 OF 1

8 7 6 5 4 3 2 1

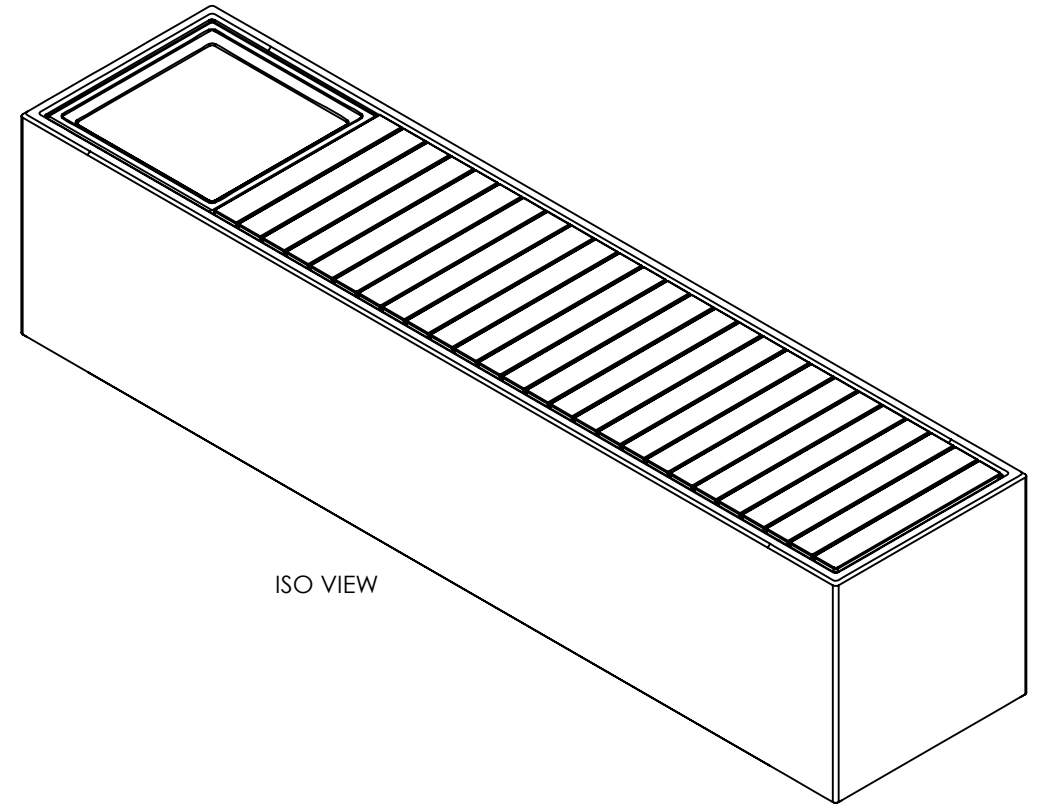
8 7 6 5 4 3 2 1

D

D



TOP VIEW



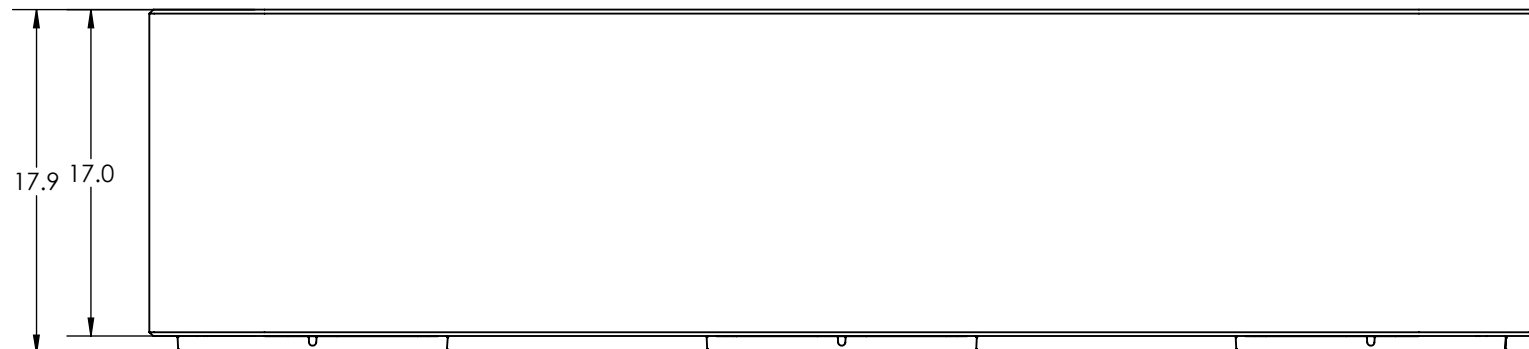
ISO VIEW

C

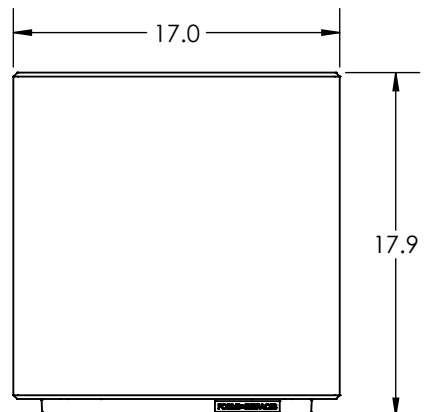
C

B

B



FRONT VIEW



SIDE VIEW

CUSTOMER APPROVAL:

X _____

DATE:

X _____

A

A

SLIGHT VARIATIONS IN COLOR AND SURFACE TEXTURE CAN OCCUR DUE TO THE NATURE OF THE TENSL MANUFACTURING PROCESS.

UNLESS OTHERWISE SPECIFIED:
 1. PRIMARY DIM. ARE IN INCHES & SECONDARY [DIM] IN MM
 2. TOLERANCES
 FRACTIONAL: ±1/32; ANGULAR/BEND: ±1°
 TWO PLACE DECIMAL ±.030
 THREE PLACE DECIMAL ±.020
 3. REMOVE ALL BURRS AND SHARP EDGES
 THIRD ANGLE PROJECTION

FORMS+SURFACES 30 Pine Street, Pittsburgh, PA 15223
 Tel (412) 781-9003 Fax (412) 385-4715

NAME	DATE
DWN VGN	07/22/2020
CHK MGJ	07/22/2020

DO NOT SCALE DRAWING
 PROPRIETARY AND CONFIDENTIAL
 THE INFORMATION CONTAINED IN THIS DRAWING IS THE SOLE PROPERTY OF FORMS + SURFACES. ANY REPRODUCTION IN PART OR AS A WHOLE WITHOUT WRITTEN PERMISSION IS PROHIBITED.

DESCRIPTION:			
QUADRA SEATING SYSTEM			
17" x 72", HARDWOOD INSET WITH PLANTER LINER			
SIZE	DWG. NO.	REV	SHEET
B	SBQUA-72WP-CSD	0	1 OF 1

8 7 6 5 4 3 2 1