

8

7

6

5

4

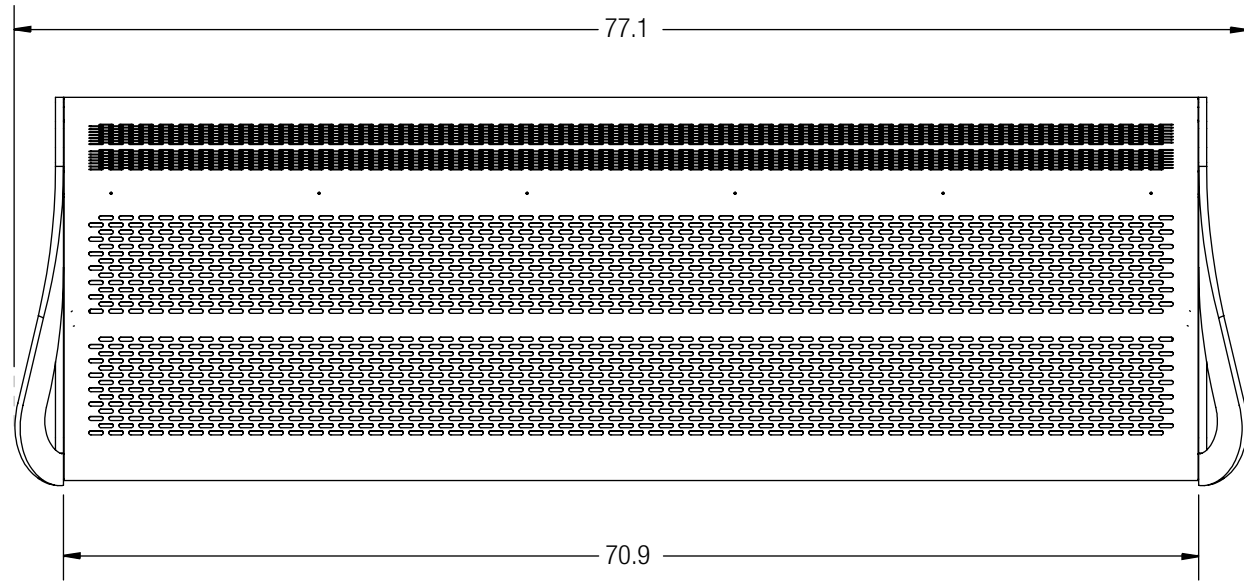
3

2

1

D

D

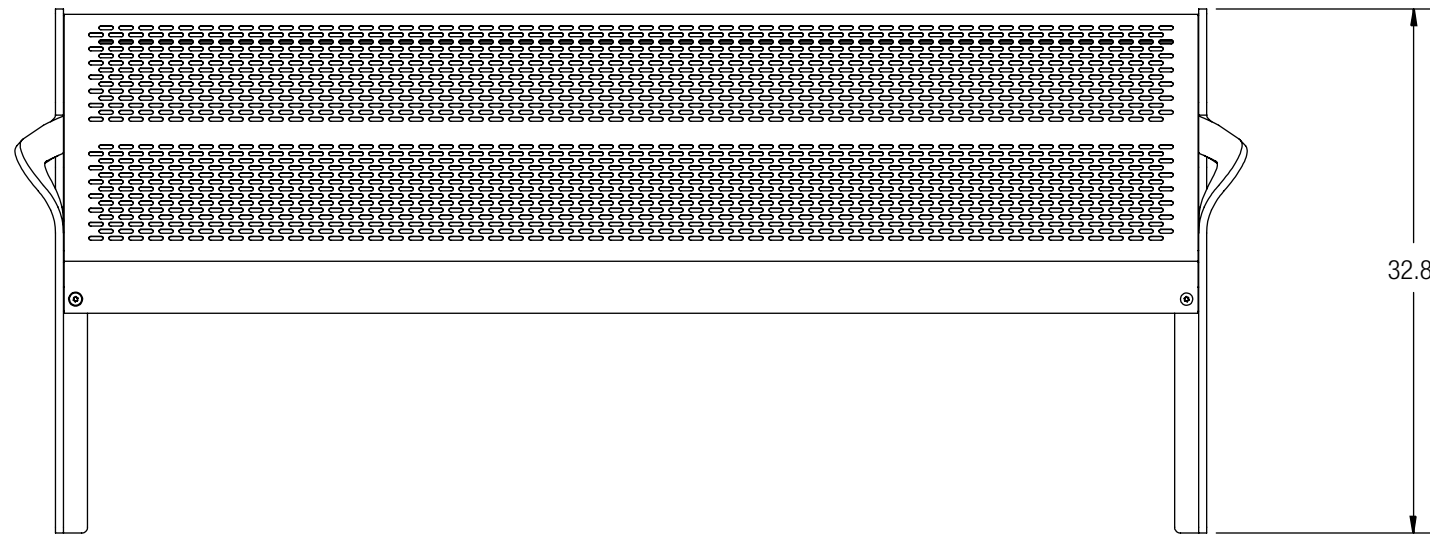


C

C

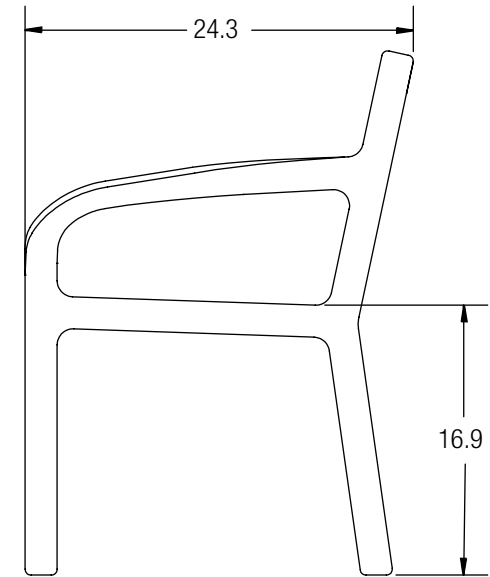
B

B



A

A



CUSTOMER APPROVAL:

X _____

DATE:

X _____

UNLESS OTHERWISE SPECIFIED, DIMENSIONS ARE IN INCHES

TOLERANCES (UNLESS OTHERWISE SPECIFIED):
 FRACTIONAL: $\pm 1/32$
 ANGULAR/BEND: $\pm 1^\circ$
 TWO PLACE DECIMAL: $\pm .030$
 THREE PLACE DECIMAL: $\pm .020$

MATERIAL: SEE DATA SHEET

FINISH: SEE DATA SHEET

WEIGHT: 94.1 LBS.

SOURCE: M

SCALE: N.T.S.

FORMS+SURFACES® 30 Pine Street, Pittsburgh, PA 15223
 Tel (800) 451-0410 Fax (412) 781-7840

DATE	
	01/01/2011

RATIO BENCH, BACKED
SBRAT-72B

DO NOT SCALE DRAWING

PROPRIETARY AND CONFIDENTIAL
 THE INFORMATION CONTAINED IN THIS DRAWING IS THE SOLE PROPERTY OF FORMS + SURFACES. ANY REPRODUCTION IN PART OR AS A WHOLE WITHOUT WRITTEN PERMISSION IS PROHIBITED.

SIZE	DWG. NO.	REV	SHEET
B	SBRAT-72B-TD	0	1 OF 1

8

7

6

5

4

3

2

1