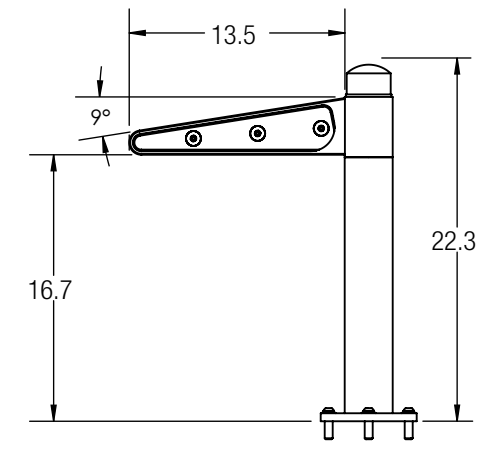
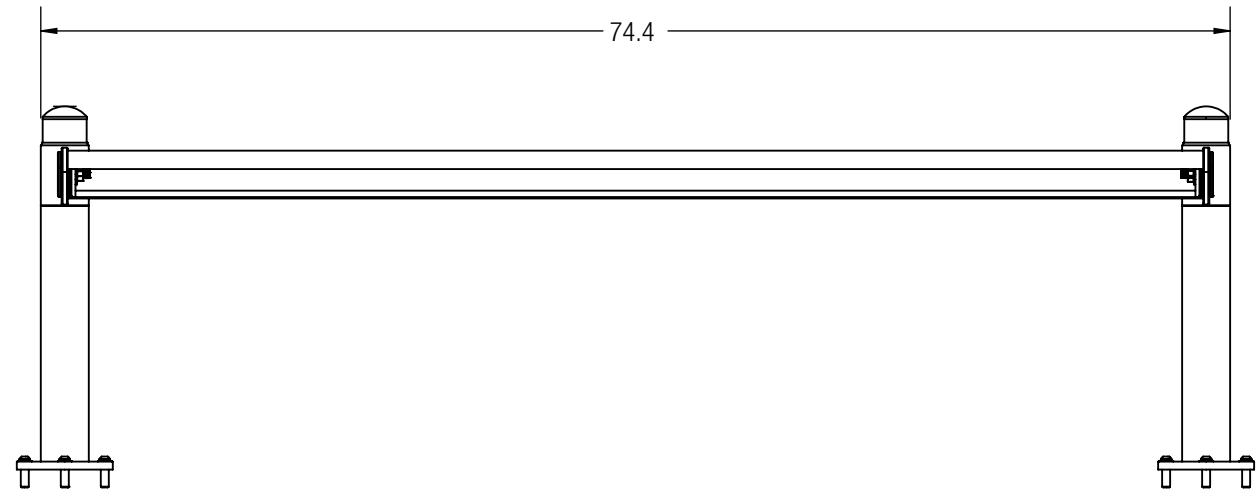
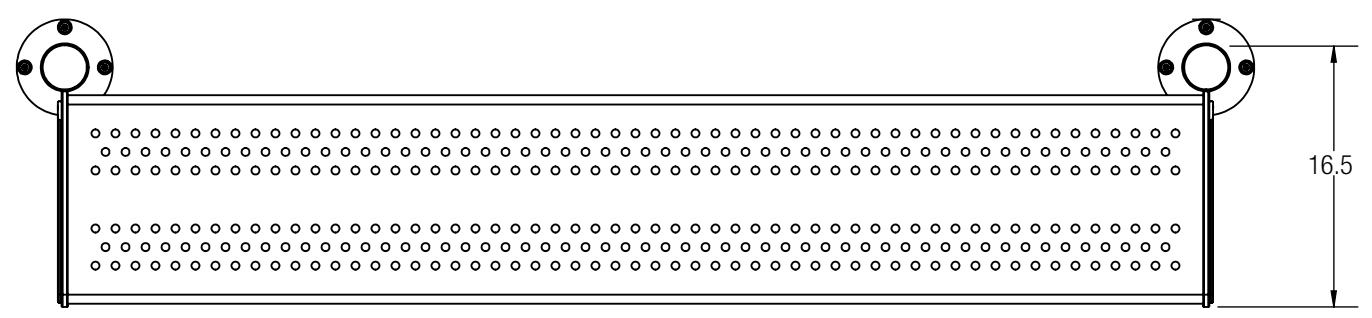
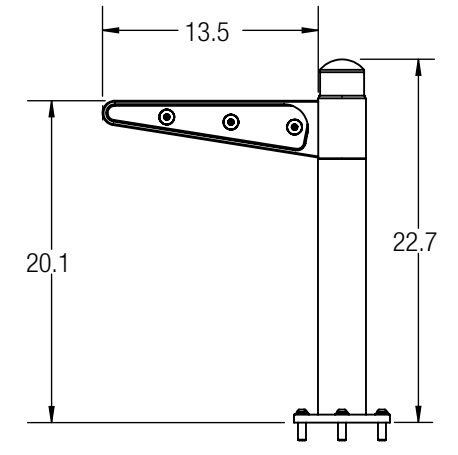


8 7 6 5 4 3 2 1

D  
C  
B  
A



SBTRA-1LA



SBTRA-1LH

CUSTOMER APPROVAL:

X \_\_\_\_\_

DATE:

X \_\_\_\_\_

UNLESS OTHERWISE SPECIFIED, DIMENSIONS ARE IN INCHES		<b>FORMS+SURFACES</b> ® 30 Pine Street, Pittsburgh, PA 15223 Tel (800) 451-0410 Fax (412) 781-7840	
TOLERANCES (UNLESS OTHERWISE SPECIFIED): FRACTIONAL: ±1/32 ANGULAR/BEND: ±1°* TWO PLACE DECIMAL ±.030 THREE PLACE DECIMAL ±.020		DATE	01/01/2011
MATERIAL: SEE DATA SHEET		TRANSIT, SINGLE, BACKLESS, ANGLED SBTRA-1LA (SURFACE MOUNT)	
FINISH: SEE DATA SHEET		DO NOT SCALE DRAWING	
WEIGHT: 81.7 LBS.		TRANSIT, SINGLE, BACKLESS, HORIZ. SBTRA-1LH (SURFACE MOUNT)	
SOURCE: M		PROPRIETARY AND CONFIDENTIAL	THE INFORMATION CONTAINED IN THIS DRAWING IS THE SOLE PROPERTY OF FORMS + SURFACES. ANY REPRODUCTION IN PART OR AS A WHOLE WITHOUT WRITTEN PERMISSION IS PROHIBITED.
SCALE: N.T.S.		SIZE	DWG. NO.
		B	SBTRA-1LA/H-SM-TD 0
		REV	0
		SHEET	1 OF 1

8 7 6 5 4 3 2 1