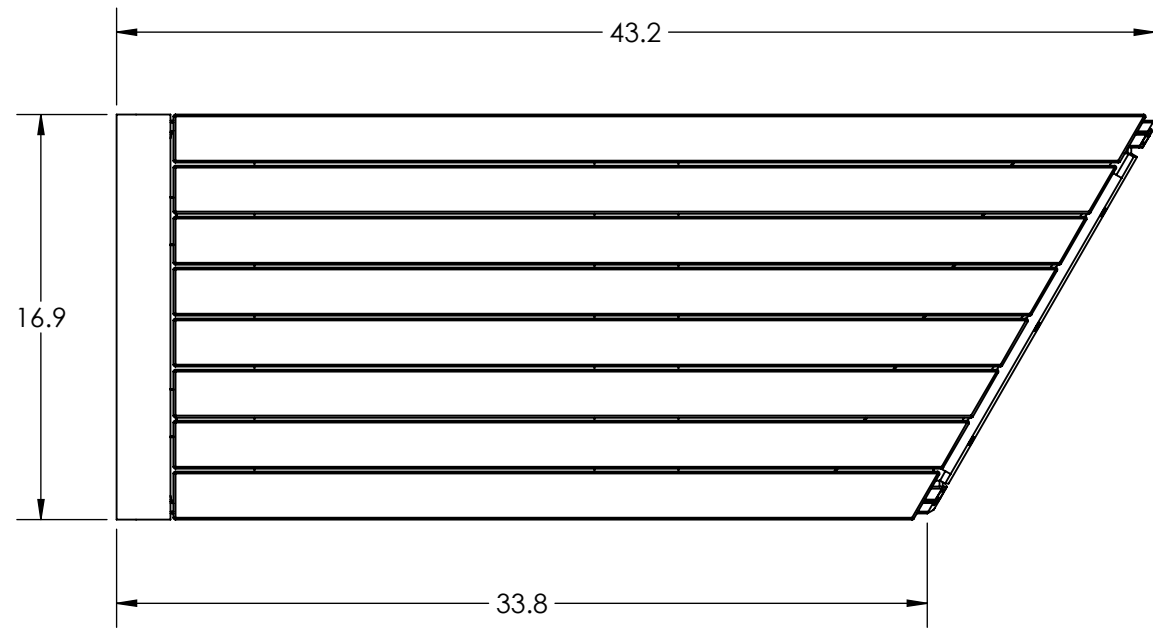
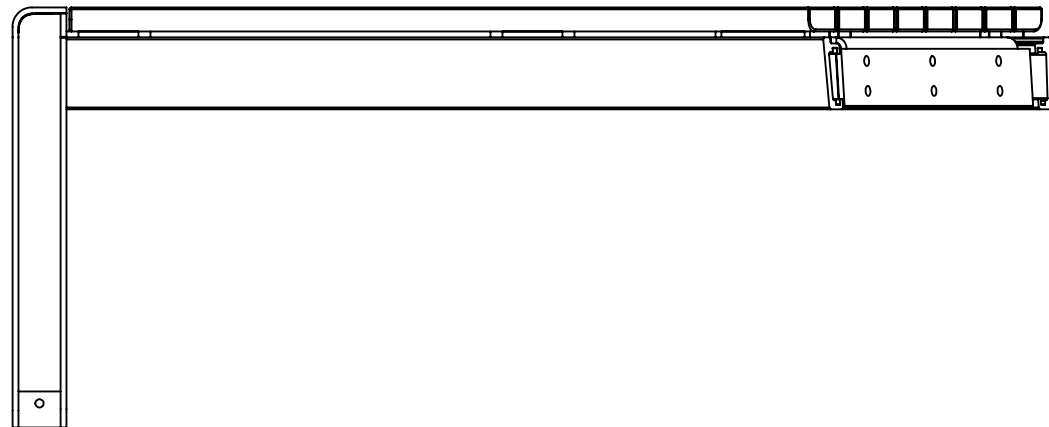




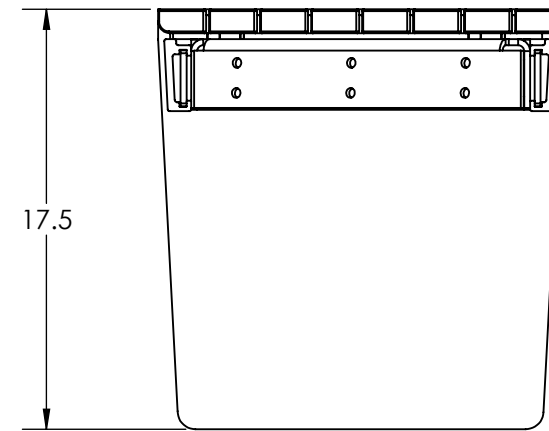
TOP VIEW - ALUMINUM SLAT



TOP VIEW - WOOD SLAT



FRONT VIEW



RIGHT VIEW

CUSTOMER APPROVAL:

X _____

DATE:

X _____

UNLESS OTHERWISE SPECIFIED,
DIMENSIONS ARE IN INCHES

TOLERANCES (UNLESS OTHERWISE SPECIFIED):
FRACTIONAL: $\pm 1/32$
ANGULAR/BEND: $\pm 1^\circ$
TWO PLACE DECIMAL: $\pm .030$
THREE PLACE DECIMAL: $\pm .020$

MATERIAL: SEE DATA SHEET

FINISH: SEE DATA SHEET

WEIGHT: 49.24 LBS.

SOURCE: -

SCALE: N.T.S.

FORMS+SURFACES® 30 Pine Street, Pittsburgh, PA 15223
Tel (412) 781-9003 Fax (412) 781-7840

NAME	DATE
DWN	TAF
	11/7/2014

VECTOR SEATING SYSTEM
120° A, ONE END LEG
SBVTR-120AA-1E-0B
SBVTR-120AJ-1E-0B

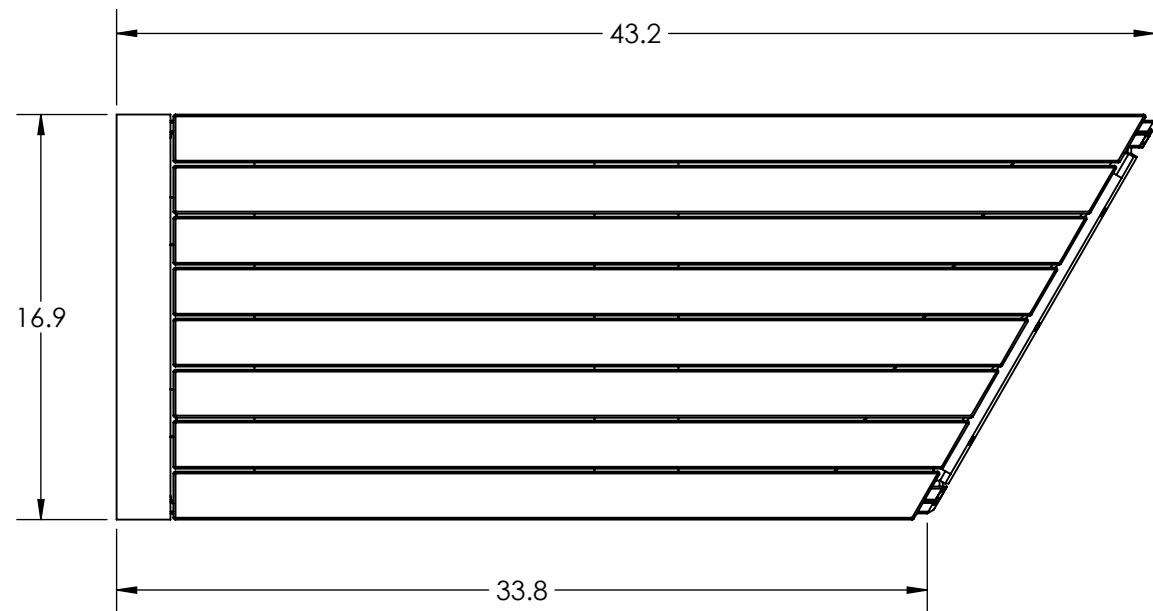
SIZE	DWG. NO.	REV	SHEET
B	SBVTR-120A-1E-0B	0	1 OF 1

DO NOT SCALE DRAWING
PROPRIETARY AND CONFIDENTIAL
THE INFORMATION CONTAINED IN THIS DRAWING IS THE SOLE PROPERTY OF FORMS + SURFACES. ANY REPRODUCTION IN PART OR AS A WHOLE WITHOUT WRITTEN PERMISSION IS PROHIBITED.

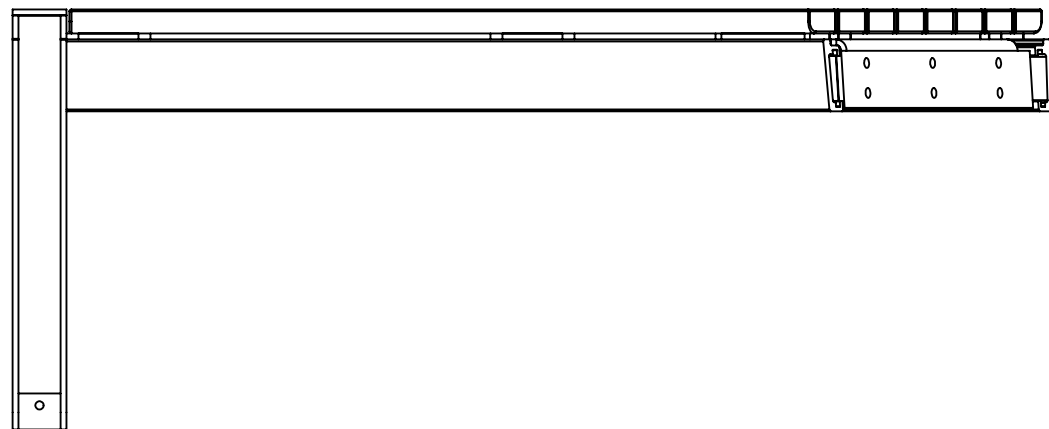
PRINTED: 11/7/2014



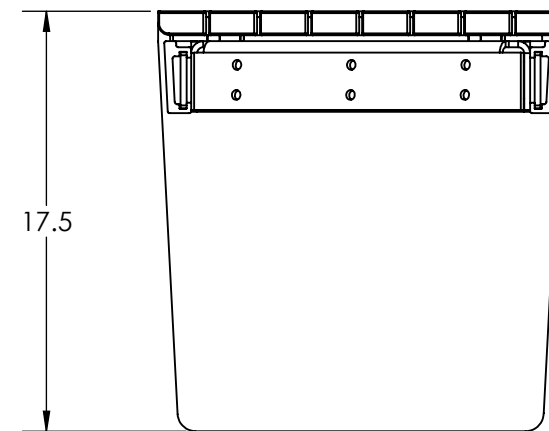
TOP VIEW - ALUMINUM SLAT



TOP VIEW - WOOD SLAT



FRONT VIEW



RIGHT VIEW

CUSTOMER APPROVAL:

X _____

DATE:

X _____

UNLESS OTHERWISE SPECIFIED,
DIMENSIONS ARE IN INCHES
TOLERANCES (UNLESS OTHERWISE
SPECIFIED):
FRACTIONAL: $\pm 1/32$
ANGULAR/BEND: $\pm 1^\circ$
TWO PLACE DECIMAL $\pm .030$
THREE PLACE DECIMAL $\pm .020$
MATERIAL: SEE DATA SHEET
FINISH: SEE DATA SHEET
WEIGHT: 49.24 LBS.
SOURCE: -
SCALE: N.T.S.

FORMS+SURFACES® 30 Pine Street, Pittsburgh, PA 15223
Tel (412) 781-9003 Fax (412) 781-7840

NAME	DATE
DWN	TAF 11/7/2014
DO NOT SCALE DRAWING	
PROPRIETARY AND CONFIDENTIAL	
THE INFORMATION CONTAINED IN THIS DRAWING IS THE SOLE PROPERTY OF FORMS + SURFACES. ANY REPRODUCTION IN PART OR AS A WHOLE WITHOUT WRITTEN PERMISSION IS PROHIBITED.	

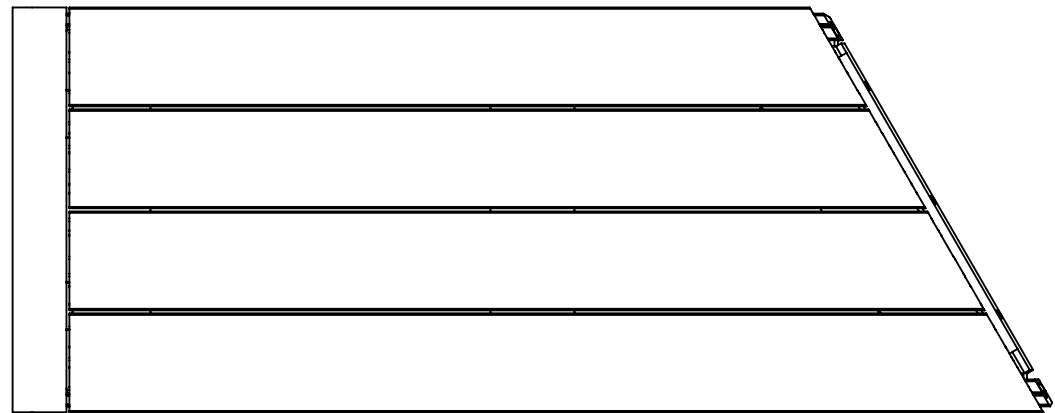
VECTOR SEATING SYSTEM
120° A, ONE INTERMEDIATE LEG
SBVTR-120AA-1M-0B
SBVTR-120AJ-1M-0B

SIZE	DWG. NO.	REV	SHEET
B	SBVTR-120A-1M-0B	0	1 OF 1

PRINTED: 11/7/2014

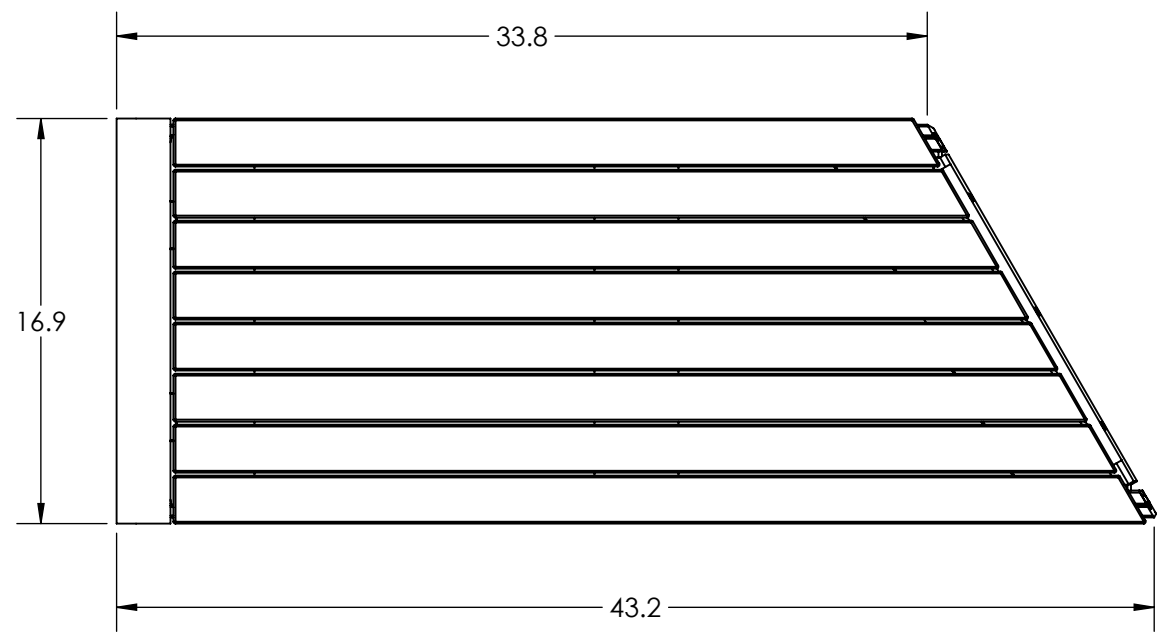
8 7 6 5 4 3 2 1

D



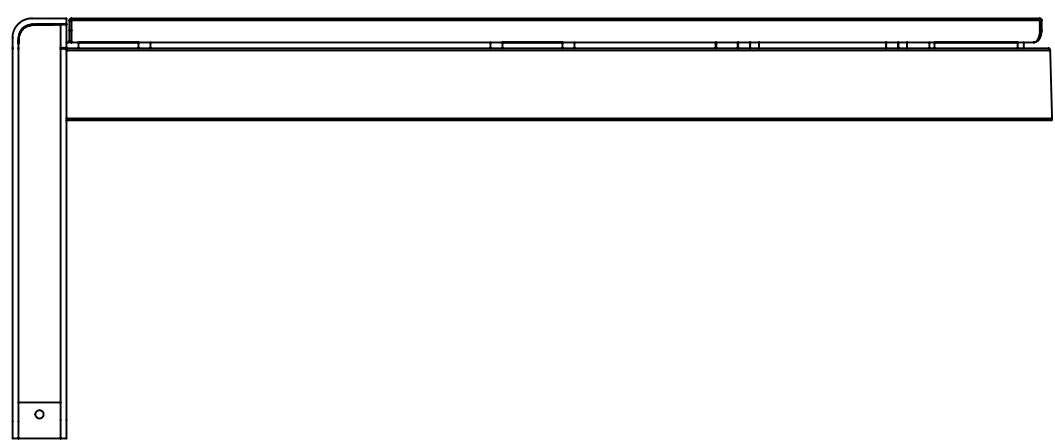
TOP VIEW - ALUMINUM SLAT

C



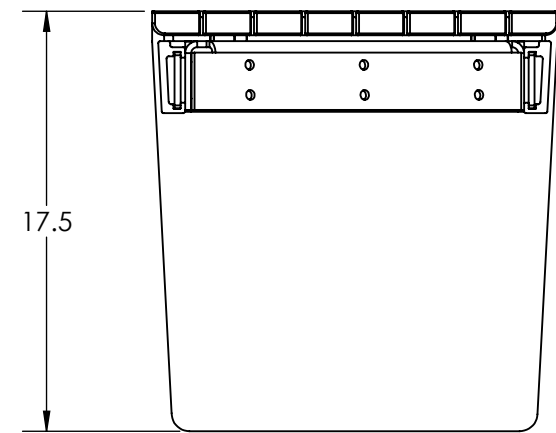
TOP VIEW - WOOD SLAT

B



FRONT VIEW

A



RIGHT VIEW

D

C

B

A

CUSTOMER APPROVAL:

X _____

DATE:

X _____

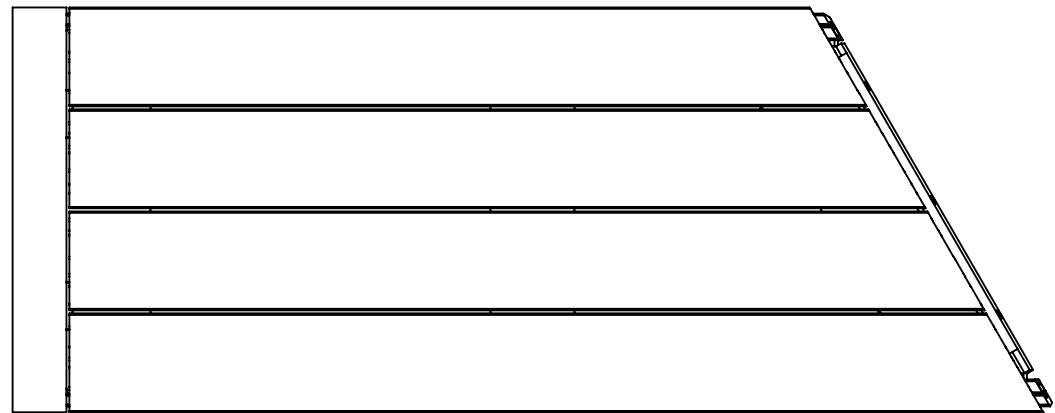
UNLESS OTHERWISE SPECIFIED, DIMENSIONS ARE IN INCHES		FORMS+SURFACES ® 30 Pine Street, Pittsburgh, PA 15223 Tel (412) 781-9003 Fax (412) 781-7840	
TOLERANCES (UNLESS OTHERWISE SPECIFIED): FRACTIONAL: ±1/32 ANGULAR/BEND: ±1° TWO PLACE DECIMAL ±.030 THREE PLACE DECIMAL ±.020		NAME	DATE
MATERIAL: SEE DATA SHEET		DWN	TAF 11/7/2014
FINISH: SEE DATA SHEET		DO NOT SCALE DRAWING	
WEIGHT: 49.24 LBS.		PROPRIETARY AND CONFIDENTIAL	
SOURCE: -		THE INFORMATION CONTAINED IN THIS DRAWING IS THE SOLE PROPERTY OF FORMS + SURFACES. ANY REPRODUCTION IN PART OR AS A WHOLE WITHOUT WRITTEN PERMISSION IS PROHIBITED.	
SCALE: N.T.S.		SIZE	DWG. NO.
		B	SBVTR-120B-1E-0B
		REV	SHEET
		0	1 OF 1

8 7 6 5 4 3 2 1

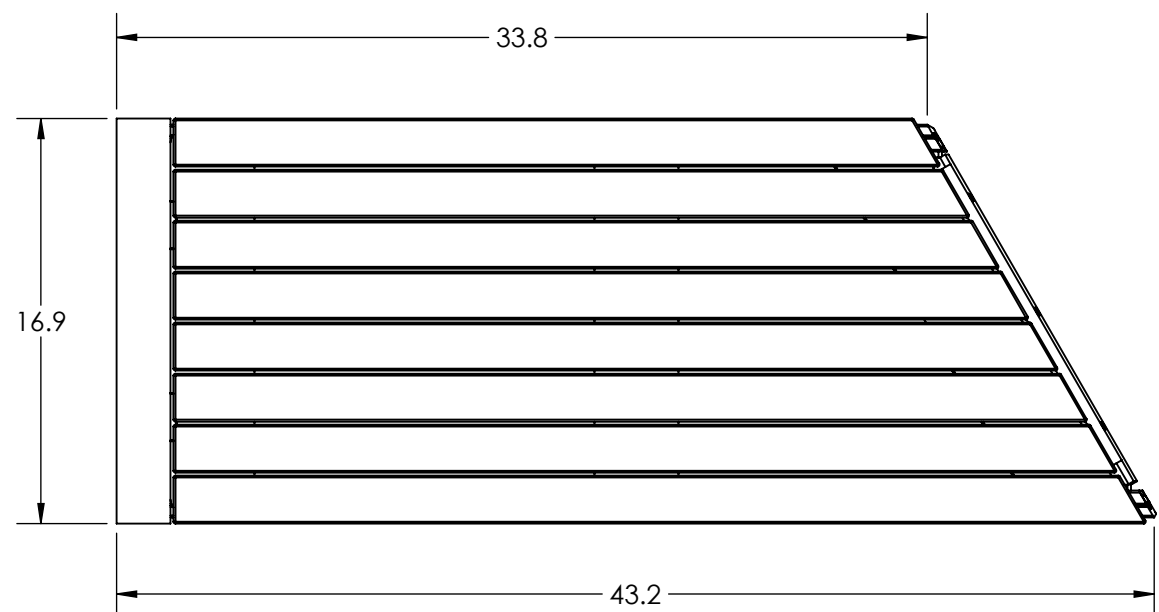
PRINTED: 11/7/2014

8 7 6 5 4 3 2 1

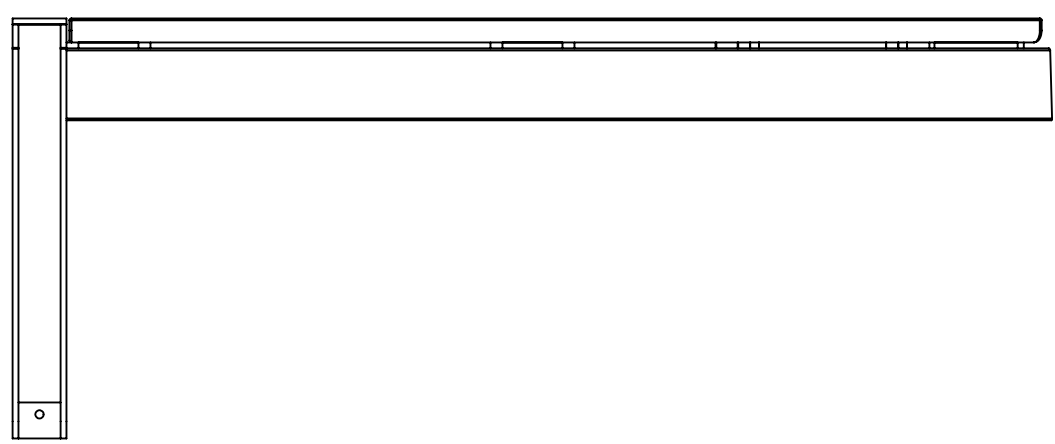
D
C
B
A



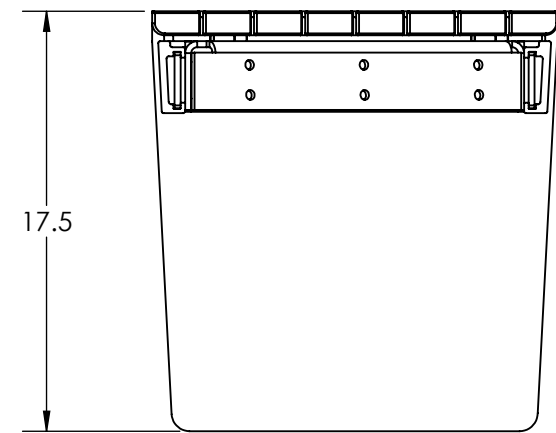
TOP VIEW - ALUMINUM SLAT



TOP VIEW - WOOD SLAT



FRONT VIEW



RIGHT VIEW

CUSTOMER APPROVAL:

X _____

DATE:

X _____

UNLESS OTHERWISE SPECIFIED, DIMENSIONS ARE IN INCHES		FORMS+SURFACES ® 30 Pine Street, Pittsburgh, PA 15223 Tel (412) 781-9003 Fax (412) 781-7840	
TOLERANCES (UNLESS OTHERWISE SPECIFIED): FRACTIONAL: ±1/32 ANGULAR/BEND: ±1° TWO PLACE DECIMAL ±.030 THREE PLACE DECIMAL ±.020		NAME	DATE
MATERIAL: SEE DATA SHEET		DWN	TAF 11/7/2014
FINISH: SEE DATA SHEET		DO NOT SCALE DRAWING	
WEIGHT: 49.24 LBS.		PROPRIETARY AND CONFIDENTIAL	
SOURCE: -		THE INFORMATION CONTAINED IN THIS DRAWING IS THE SOLE PROPERTY OF FORMS + SURFACES. ANY REPRODUCTION IN PART OR AS A WHOLE WITHOUT WRITTEN PERMISSION IS PROHIBITED.	
SCALE: N.T.S.		SIZE	DWG. NO.
		B	SBVTR-120B-1M-OB
		REV	SHEET
		0	1 OF 1

8 7 6 5 4 3 2 1

D
C
B
A

PRINTED: 11/7/2014