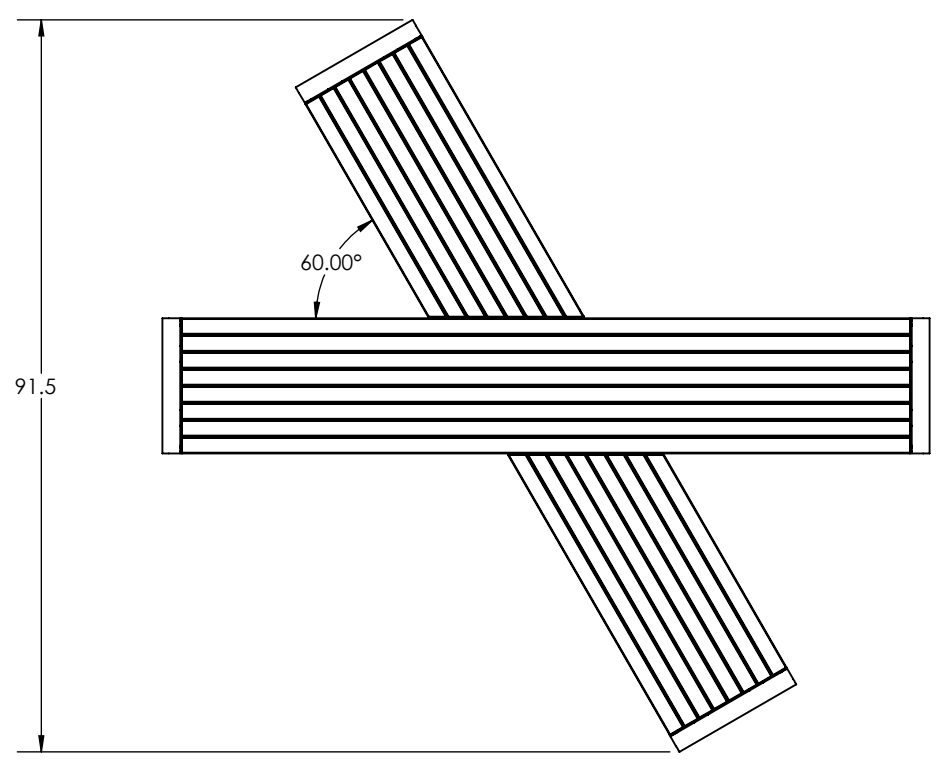
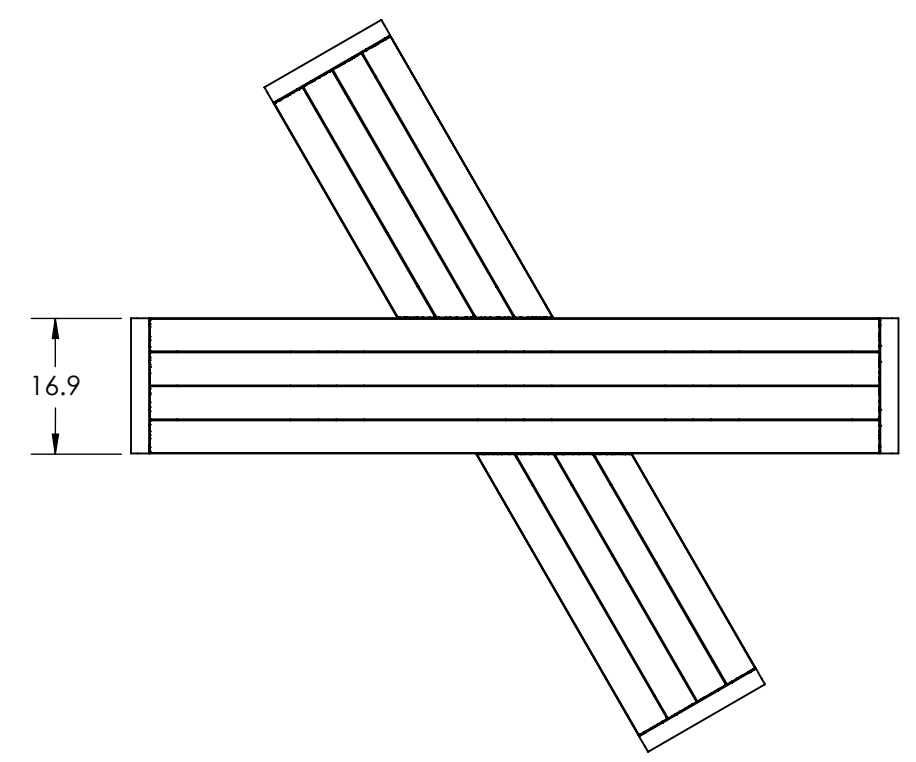


8 7 6 5 4 3 2 1

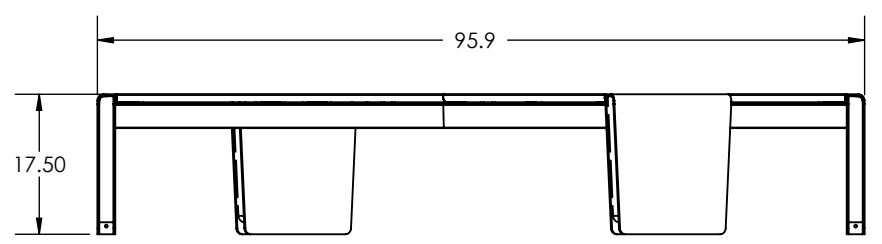
D
C
B
A



TOP VIEW - WOOD SLAT



TOP VIEW - ALUMINUM SLAT



FRONT VIEW

CUSTOMER APPROVAL:

X _____

DATE:

X _____

UNLESS OTHERWISE SPECIFIED,
DIMENSIONS ARE IN INCHES
TOLERANCES (UNLESS OTHERWISE SPECIFIED):
FRACTIONAL: ±1/32
ANGULAR/BEND: ±1°
TWO PLACE DECIMAL ±.030
THREE PLACE DECIMAL ±.020
MATERIAL: SEE DATA SHEET
FINISH: SEE DATA SHEET
WEIGHT: 210.68 LBS.
SOURCE: -
SCALE: N.T.S.

FORMS+SURFACES® 30 Pine Street, Pittsburgh, PA 15223
Tel (412) 781-9003 Fax (412) 781-7840

NAME	DATE
DWN MGJ	11/06/2014
DO NOT SCALE DRAWING	
PROPRIETARY AND CONFIDENTIAL	
THE INFORMATION CONTAINED IN THIS DRAWING IS THE SOLE PROPERTY OF FORMS + SURFACES. ANY REPRODUCTION IN PART OR AS A WHOLE WITHOUT WRITTEN PERMISSION IS PROHIBITED.	

VECTOR SEATING SYSTEM
OBLIQUE BENCH, FOUR END LEGS
SBVTR-196A-2E-2120AA-1E
SBVTR-196J-2E-2120AJ-1E

SIZE	DWG. NO.	REV	SHEET
B	SBVTR-196-2E-2120A-1E	0	1 OF 1

8 7 6 5 4 3 2 1

D
C
B
A

PRINTED: 11/06/2014