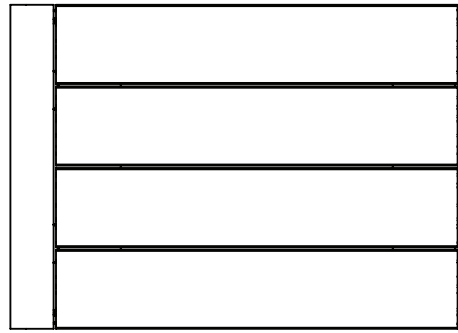
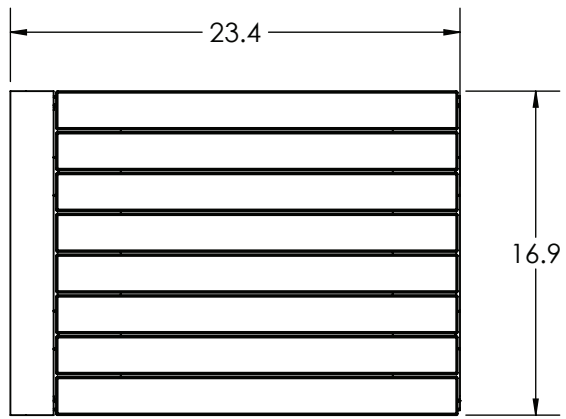


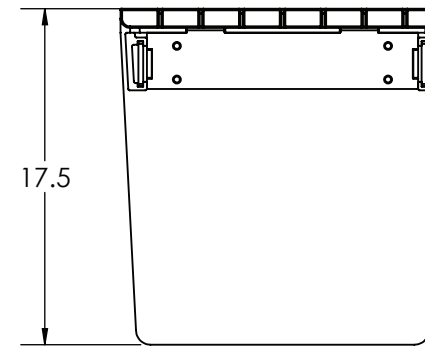
8 7 6 5 4 3 2 1



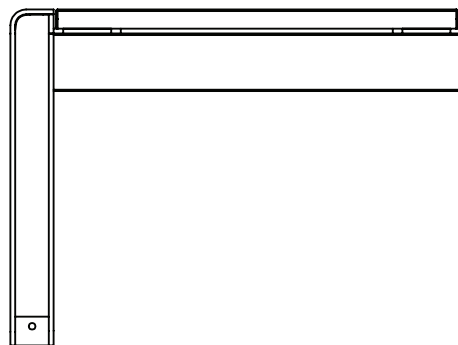
TOP VIEW - ALUMINUM SLAT



TOP VIEW - WOOD SLAT



RIGHT VIEW



FRONT VIEW

CUSTOMER APPROVAL:

X _____

DATE:

X _____

UNLESS OTHERWISE SPECIFIED, DIMENSIONS ARE IN INCHES
TOLERANCES (UNLESS OTHERWISE SPECIFIED):
FRACTIONAL: ±1/32
ANGULAR/BEND: ±1°
TWO PLACE DECIMAL ±.030
THREE PLACE DECIMAL ±.020
MATERIAL: SEE DATA SHEET
FINISH: SEE DATA SHEET
WEIGHT: 52.90 LBS.
SOURCE: -
SCALE: N.T.S.

FORMS+SURFACES® 30 Pine Street, Pittsburgh, PA 15223
Tel (412) 781-9003 Fax (412) 781-7840

NAME	DATE
DWN MGJ	11/3/2014

DO NOT SCALE DRAWING

PROPRIETARY AND CONFIDENTIAL

THE INFORMATION CONTAINED IN THIS DRAWING IS THE SOLE PROPERTY OF FORMS + SURFACES. ANY REPRODUCTION IN PART OR AS A WHOLE WITHOUT WRITTEN PERMISSION IS PROHIBITED.

VECTOR SEATING SYSTEM
2 FOOT, ONE END LEG
SBVTR-24A-1E-0B
SBVTR-24C-1E-0B

SIZE	DWG. NO.	REV	SHEET
B	SBVTR-24-1E-0B	0	1 OF 1

8 7 6 5 4 3 2 1

D
C
B
A

D
C
B
A

PRINTED: 11/5/2014

8 7 6 5 4 3 2 1

D

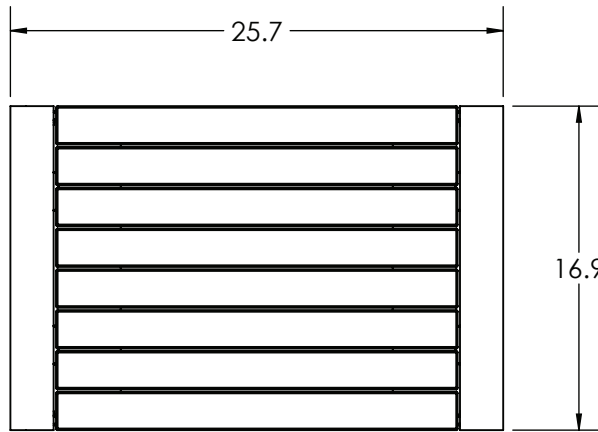
C

B

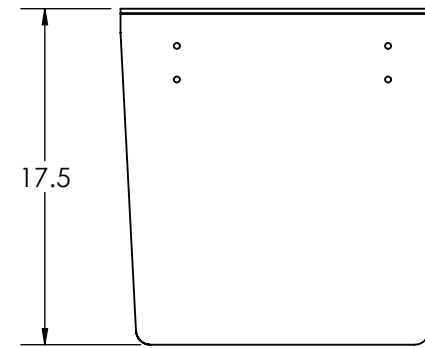
A



TOP VIEW - ALUMINUM SLAT



TOP VIEW - WOOD SLAT



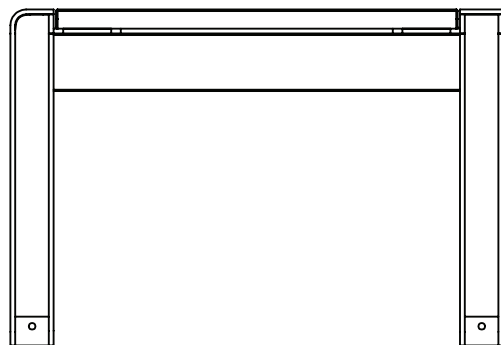
RIGHT VIEW

CUSTOMER APPROVAL:

X _____

DATE:

X _____



FRONT VIEW

UNLESS OTHERWISE SPECIFIED, DIMENSIONS ARE IN INCHES		FORMS+SURFACES ® 30 Pine Street, Pittsburgh, PA 15223 Tel (412) 781-9003 Fax (412) 781-7840	
TOLERANCES (UNLESS OTHERWISE SPECIFIED): FRACTIONAL: ±1/32 ANGULAR/BEND: ±1° TWO PLACE DECIMAL ±.030 THREE PLACE DECIMAL ±.020		NAME	DATE
MATERIAL: SEE DATA SHEET		DWN	MGJ 11/3/2014
FINISH: SEE DATA SHEET		DO NOT SCALE DRAWING	
WEIGHT: 52.90 LBS.		PROPRIETARY AND CONFIDENTIAL	
SOURCE: -		THE INFORMATION CONTAINED IN THIS DRAWING IS THE SOLE PROPERTY OF FORMS + SURFACES. ANY REPRODUCTION IN PART OR AS A WHOLE WITHOUT WRITTEN PERMISSION IS PROHIBITED.	
SCALE: N.T.S.		SIZE	DWG. NO.
		B	SBVTR-24-1E1M-0B
		REV	SHEET
		0	1 OF 1

8 7 6 5 4 3 2 1

D

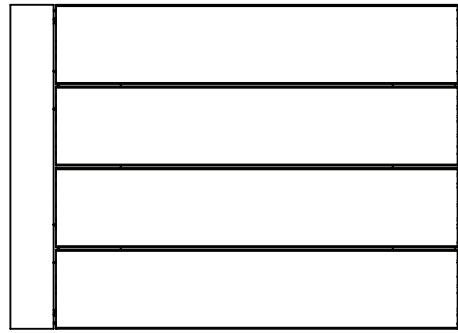
C

B

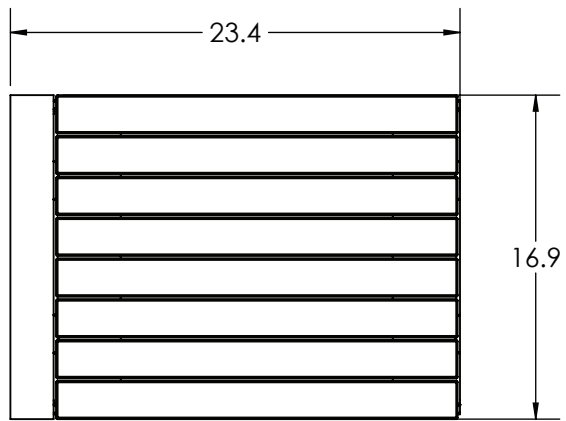
A

PRINTED: 11/5/2014

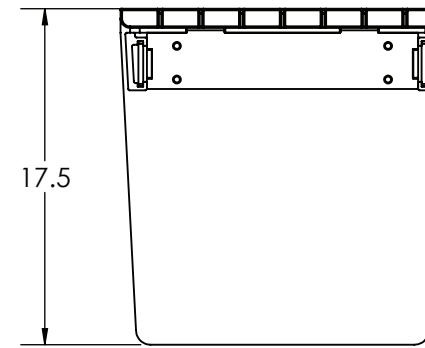
8 7 6 5 4 3 2 1



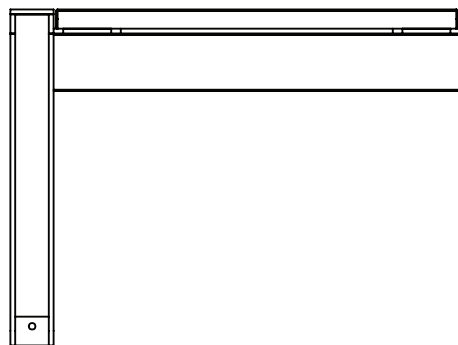
TOP VIEW - ALUMINUM SLAT



TOP VIEW - WOOD SLAT



RIGHT VIEW



FRONT VIEW

CUSTOMER APPROVAL:

X _____

DATE:

X _____

UNLESS OTHERWISE SPECIFIED,
DIMENSIONS ARE IN INCHES
TOLERANCES (UNLESS OTHERWISE
SPECIFIED):
FRACTIONAL: ±1/32
ANGULAR/BEND: ±1°*
TWO PLACE DECIMAL ±.030
THREE PLACE DECIMAL ±.020
MATERIAL: SEE DATA SHEET
FINISH: SEE DATA SHEET
WEIGHT: 52.90 LBS.
SOURCE: -
SCALE: N.T.S.

FORMS+SURFACES® 30 Pine Street, Pittsburgh, PA 15223
Tel (412) 781-9003 Fax (412) 781-7840

NAME	DATE
DWN	MGJ 11/3/2014

DO NOT SCALE DRAWING
PROPRIETARY AND CONFIDENTIAL
THE INFORMATION CONTAINED IN THIS
DRAWING IS THE SOLE PROPERTY OF
FORMS + SURFACES. ANY REPRODUCTION
IN PART OR AS A WHOLE WITHOUT
WRITTEN PERMISSION IS PROHIBITED.

VECTOR SEATING SYSTEM
2 FOOT, ONE INTERMEDIATE LEG
SBVTR-24A-1M-0B
SBVTR-24C-1M-0B

SIZE	DWG. NO.	REV	SHEET
B	SBVTR-24-1M-0B	0	1 OF 1

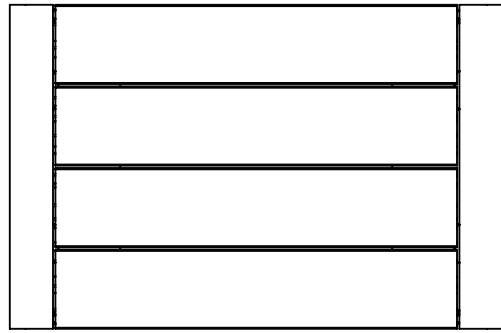
PRINTED: 11/5/2014

8 7 6 5 4 3 2 1

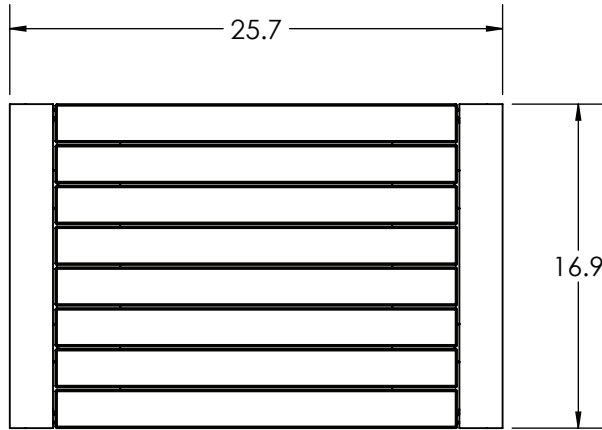
8 7 6 5 4 3 2 1

D

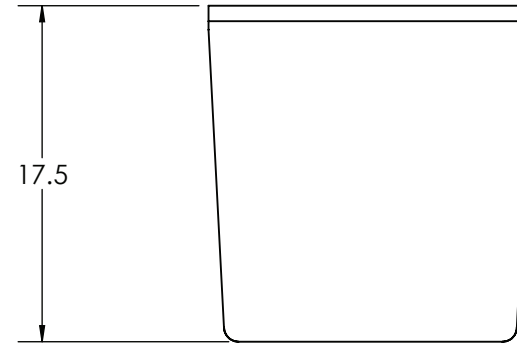
D



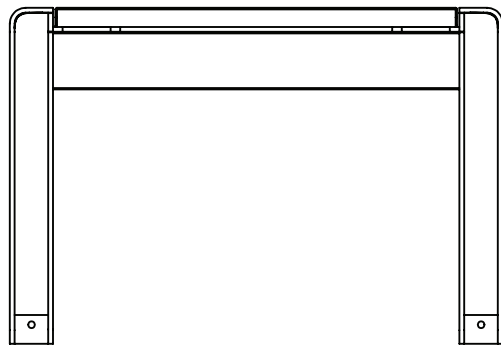
TOP VIEW - ALUMINUM



TOP VIEW - WOOD



RIGHT VIEW



FRONT VIEW

C

C

B

B

A

A

CUSTOMER APPROVAL:

X _____

DATE:

X _____

UNLESS OTHERWISE SPECIFIED, DIMENSIONS ARE IN INCHES

TOLERANCES (UNLESS OTHERWISE SPECIFIED):
FRACTIONAL: ±1/32
ANGULAR/BEND: ±1°
TWO PLACE DECIMAL ±.030
THREE PLACE DECIMAL ±.020

MATERIAL: SEE DATA SHEET

FINISH: SEE DATA SHEET

WEIGHT: 49.06 LBS.

SOURCE: -

SCALE: N.T.S.

FORMS+SURFACES® 30 Pine Street, Pittsburgh, PA 15223
Tel (412) 781-9003 Fax (412) 781-7840

NAME	DATE
DWN	11/3/2014

DO NOT SCALE DRAWING

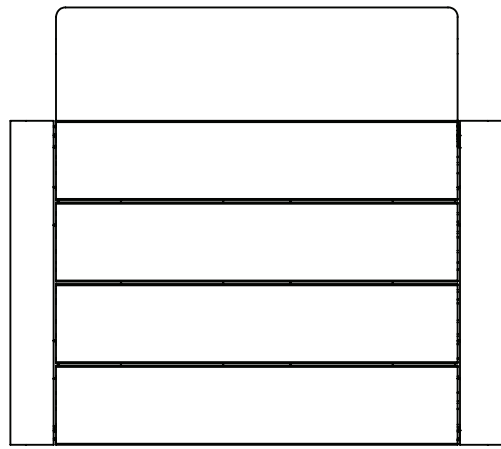
PROPRIETARY AND CONFIDENTIAL
THE INFORMATION CONTAINED IN THIS DRAWING IS THE SOLE PROPERTY OF FORMS + SURFACES. ANY REPRODUCTION IN PART OR AS A WHOLE WITHOUT WRITTEN PERMISSION IS PROHIBITED.

VECTOR SEATING SYSTEM
2 FOOT, STANDALONE
SBVTR-24A-2E-0B
SBVTR-24C-2E-0B

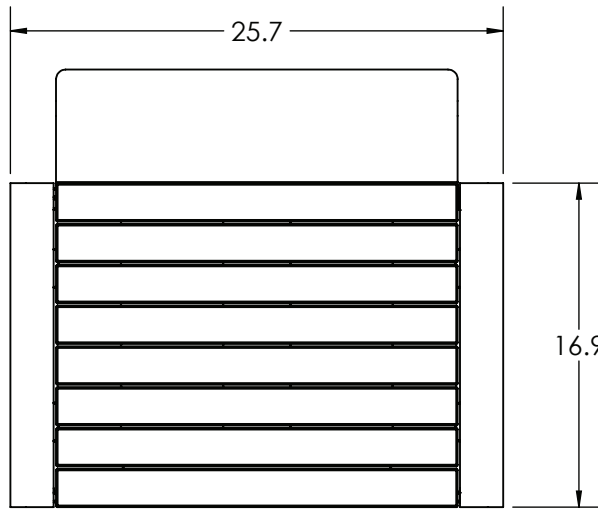
SIZE	DWG. NO.	REV	SHEET
B	SBVTR-24-2E-0B	0	1 OF 1

8 7 6 5 4 3 2 1

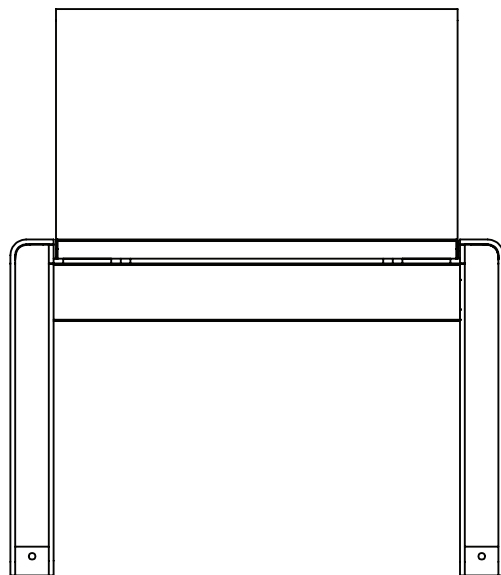
PRINTED: 11/3/2014



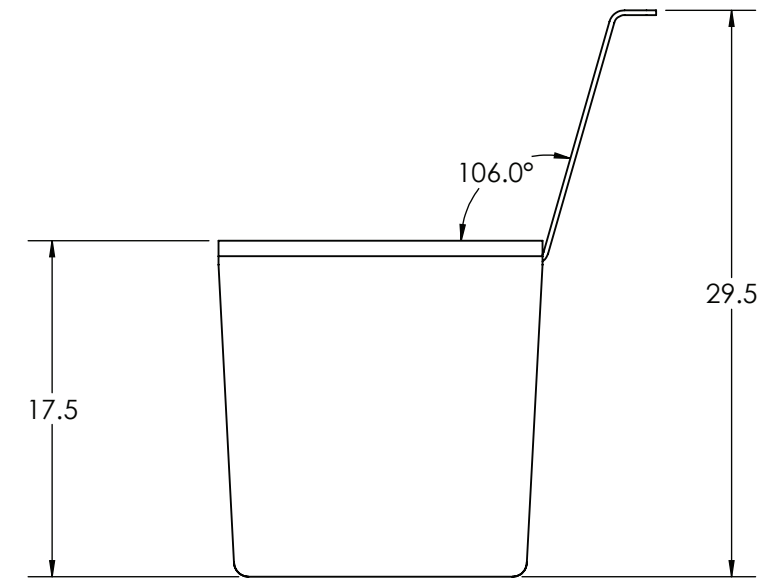
TOP VIEW - ALUMINUM



TOP VIEW - WOOD



FRONT VIEW



RIGHT VIEW

CUSTOMER APPROVAL:

X _____

DATE:

X _____

UNLESS OTHERWISE SPECIFIED,
DIMENSIONS ARE IN INCHES
TOLERANCES (UNLESS OTHERWISE
SPECIFIED):
FRACTIONAL: ±1/32
ANGULAR/BEND: ±1°
TWO PLACE DECIMAL ±.030
THREE PLACE DECIMAL ±.020

MATERIAL: SEE DATA SHEET

FINISH: SEE DATA SHEET

WEIGHT: 160.92 LBS.

SOURCE: -

SCALE: N.T.S.

FORMS+SURFACES® 30 Pine Street, Pittsburgh, PA 15223
Tel (412) 781-9003 Fax (412) 781-7840

NAME	DATE
DWN	MGJ 11/04/2014

DO NOT SCALE DRAWING

PROPRIETARY AND CONFIDENTIAL
THE INFORMATION CONTAINED IN THIS
DRAWING IS THE SOLE PROPERTY OF
FORMS + SURFACES. ANY REPRODUCTION
IN PART OR AS A WHOLE WITHOUT
WRITTEN PERMISSION IS PROHIBITED.

VECTOR SEATING SYSTEM			
2 FOOT, STANDALONE, ONE			
BACKREST			
SBVTR-24A-2E-1B			
SBVTR-24C-2E-1B			
SIZE	DWG. NO.	REV	SHEET
B	SBVTR-24-2E-1B	0	1 OF 1

PRINTED: 11/05/2014