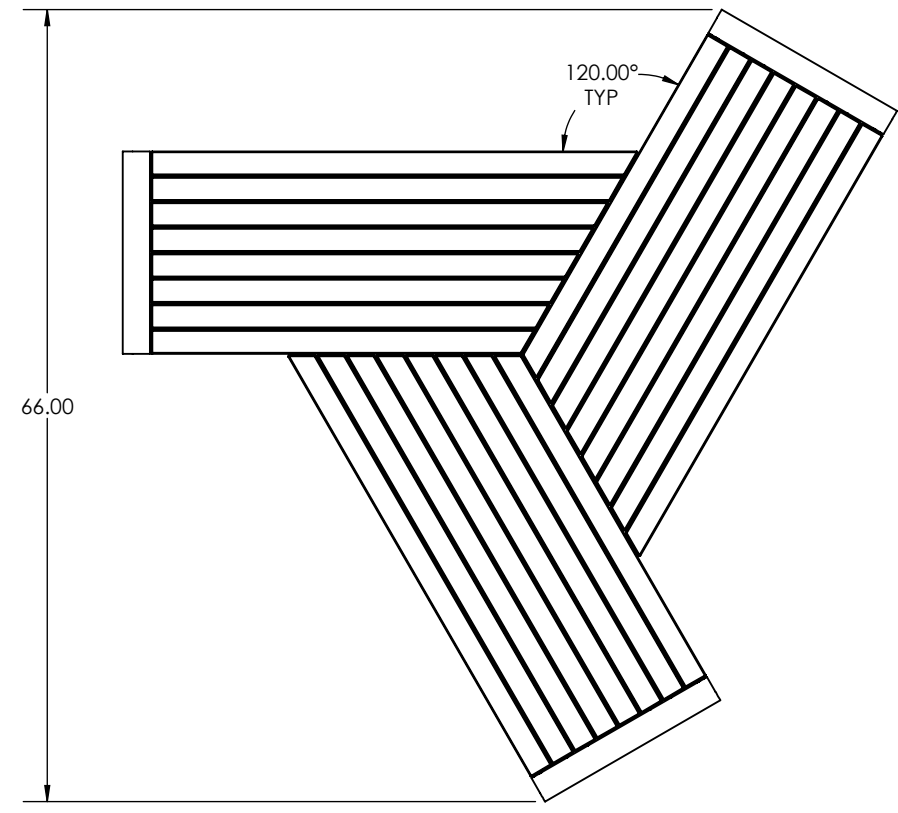
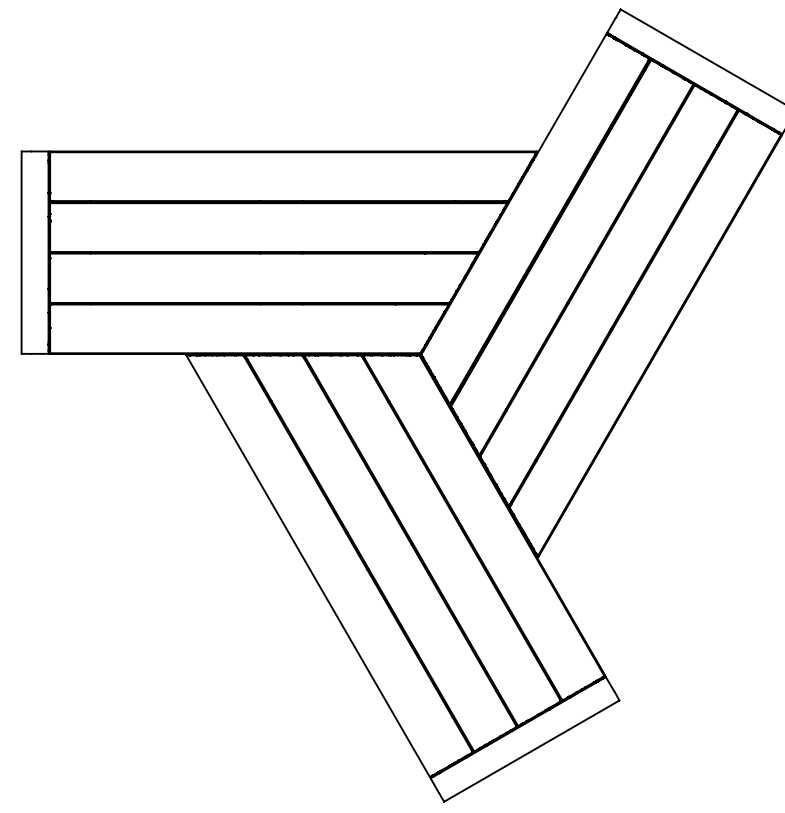


8 7 6 5 4 3 2 1

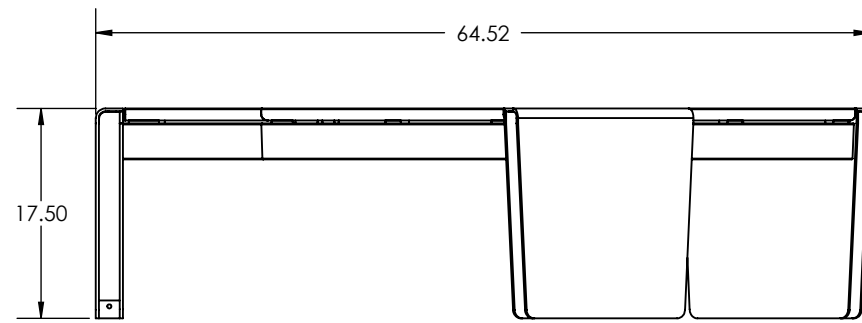
D  
C  
B  
A



TOP VIEW - WOOD SLAT



TOP VIEW - ALUMINUM SLAT



FRONT VIEW

CUSTOMER APPROVAL:

X \_\_\_\_\_

DATE:

X \_\_\_\_\_

UNLESS OTHERWISE SPECIFIED, DIMENSIONS ARE IN INCHES

TOLERANCES (UNLESS OTHERWISE SPECIFIED):  
 FRACTIONAL: ±1/32  
 ANGULAR/BEND: ±1°  
 TWO PLACE DECIMAL ±.030  
 THREE PLACE DECIMAL ±.020

MATERIAL: SEE DATA SHEET

FINISH: SEE DATA SHEET

WEIGHT: 149.54 LBS.

SOURCE: -

SCALE: N.T.S.

**FORMS+SURFACES**® 30 Pine Street, Pittsburgh, PA 15223  
 Tel (412) 781-9003 Fax (412) 781-7840

NAME	DATE
DWN	MGJ 11/6/2014

DO NOT SCALE DRAWING

PROPRIETARY AND CONFIDENTIAL  
 THE INFORMATION CONTAINED IN THIS DRAWING IS THE SOLE PROPERTY OF FORMS + SURFACES. ANY REPRODUCTION IN PART OR AS A WHOLE WITHOUT WRITTEN PERMISSION IS PROHIBITED.

VECTOR SEATING SYSTEM  
 TRI-HUB, 120° A, THREE END LEGS  
 SBVTR-3120AA-3E  
 SBVTR-3120AJ-3E

SIZE	DWG. NO.	REV	SHEET
B	SBVTR-3120A-3E	0	1 OF 1

8 7 6 5 4 3 2 1

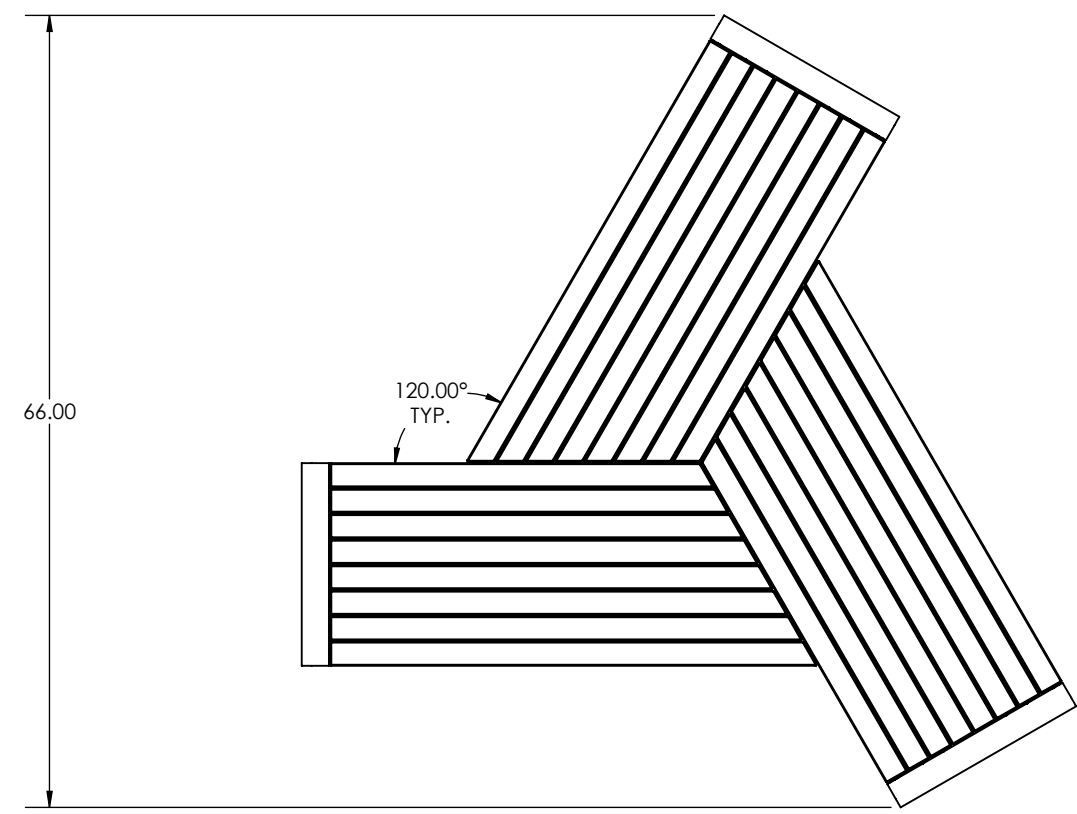
D  
C  
B  
A

PRINTED: 11/7/2014

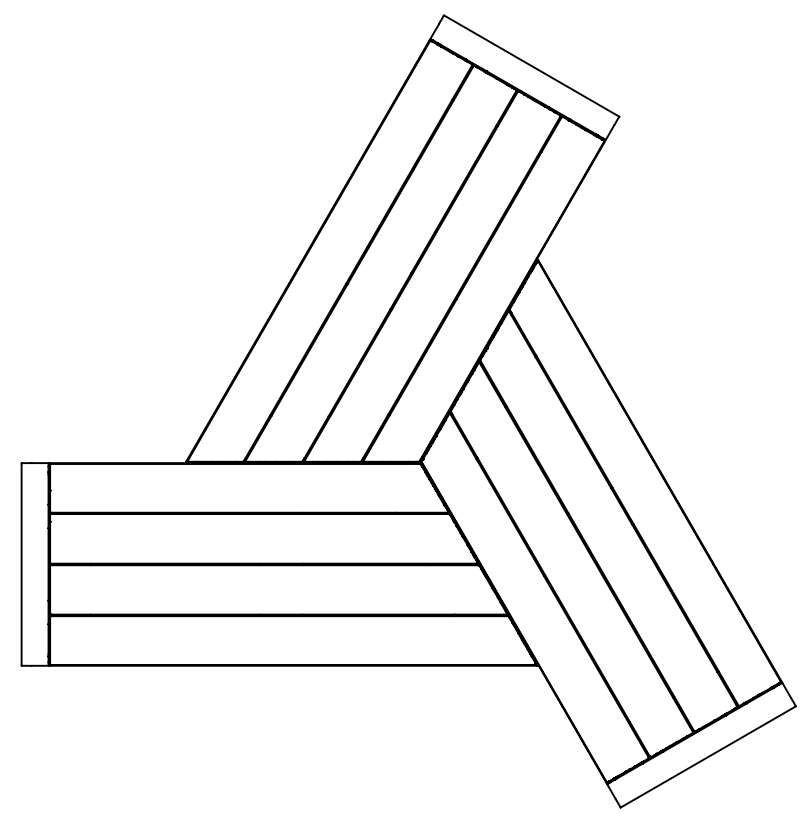
8 7 6 5 4 3 2 1

D

D



TOP VIEW - WOOD SLAT



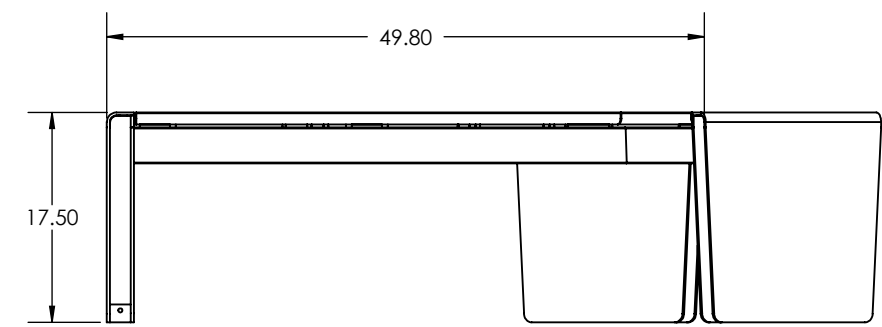
TOP VIEW - ALUMINUM SLAT

C

C

B

B



FRONT VIEW

A

A

CUSTOMER APPROVAL:

X \_\_\_\_\_

DATE:

X \_\_\_\_\_

UNLESS OTHERWISE SPECIFIED, DIMENSIONS ARE IN INCHES		<b>FORMS+SURFACES</b> ® 30 Pine Street, Pittsburgh, PA 15223 Tel (412) 781-9003 Fax (412) 781-7840	
TOLERANCES (UNLESS OTHERWISE SPECIFIED): FRACTIONAL: ±1/32 ANGULAR/BEND: ±1° TWO PLACE DECIMAL ±.030 THREE PLACE DECIMAL ±.020		NAME	DATE
MATERIAL: SEE DATA SHEET		DWN	MGJ 11/6/2014
FINISH: SEE DATA SHEET		DO NOT SCALE DRAWING	
WEIGHT: 149.53 LBS.		PROPRIETARY AND CONFIDENTIAL	
SOURCE: -		THE INFORMATION CONTAINED IN THIS DRAWING IS THE SOLE PROPERTY OF FORMS + SURFACES. ANY REPRODUCTION IN PART OR AS A WHOLE WITHOUT WRITTEN PERMISSION IS PROHIBITED.	
SCALE: N.T.S.		SIZE	DWG. NO.
		B	SBVTR-3120B-3E
		REV	SHEET
		0	1 OF 1

8 7 6 5 4 3 2 1

PRINTED: 11/7/2014