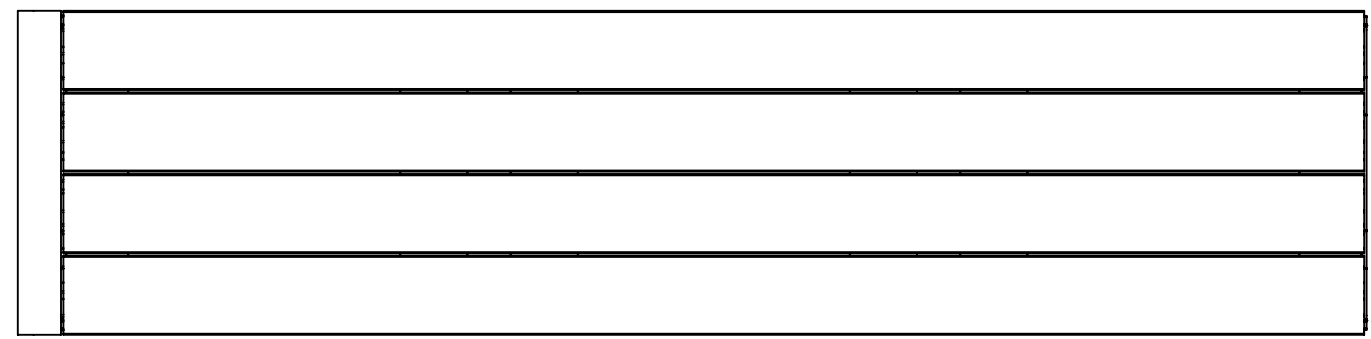


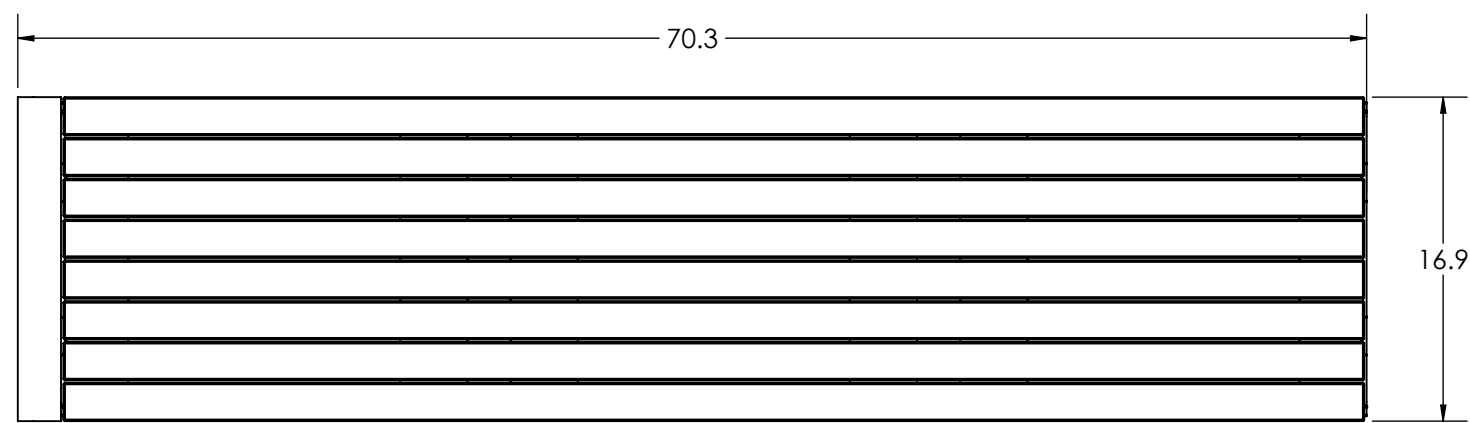
8 7 6 5 4 3 2 1

D

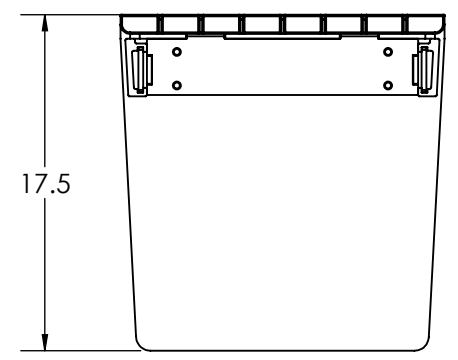


TOP VIEW - ALUMINUM SLAT

C

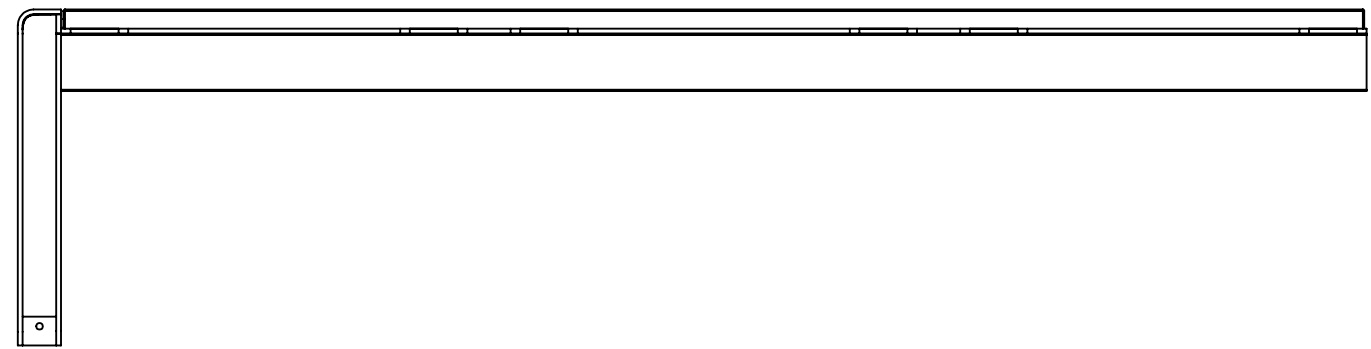


TOP VIEW - WOOD SLAT



RIGHT VIEW

B



FRONT VIEW

CUSTOMER APPROVAL:

X _____

DATE:

X _____

A

UNLESS OTHERWISE SPECIFIED, DIMENSIONS ARE IN INCHES

TOLERANCES (UNLESS OTHERWISE SPECIFIED):
 FRACTIONAL: ±1/32
 ANGULAR/BEND: ±1°
 TWO PLACE DECIMAL ±.030
 THREE PLACE DECIMAL ±.020

MATERIAL: SEE DATA SHEET
 FINISH: SEE DATA SHEET
 WEIGHT: 52.90 LBS.
 SOURCE: -
 SCALE: N.T.S.

FORMS+SURFACES® 30 Pine Street, Pittsburgh, PA 15223
 Tel (412) 781-9003 Fax (412) 781-7840

NAME	DATE
DWN	11/3/2014
MGJ	

VECTOR SEATING SYSTEM
 6 FOOT, ONE END LEG
 SBVTR-72A-1E-0B
 SBVTR-72J-1E-0B

SIZE	DWG. NO.	REV	SHEET
B	SBVTR-72-1E-0B	0	1 OF 1

PROPRIETARY AND CONFIDENTIAL
 THE INFORMATION CONTAINED IN THIS DRAWING IS THE SOLE PROPERTY OF FORMS + SURFACES. ANY REPRODUCTION IN PART OR AS A WHOLE WITHOUT WRITTEN PERMISSION IS PROHIBITED.

8 7 6 5 4 3 2 1

D

C

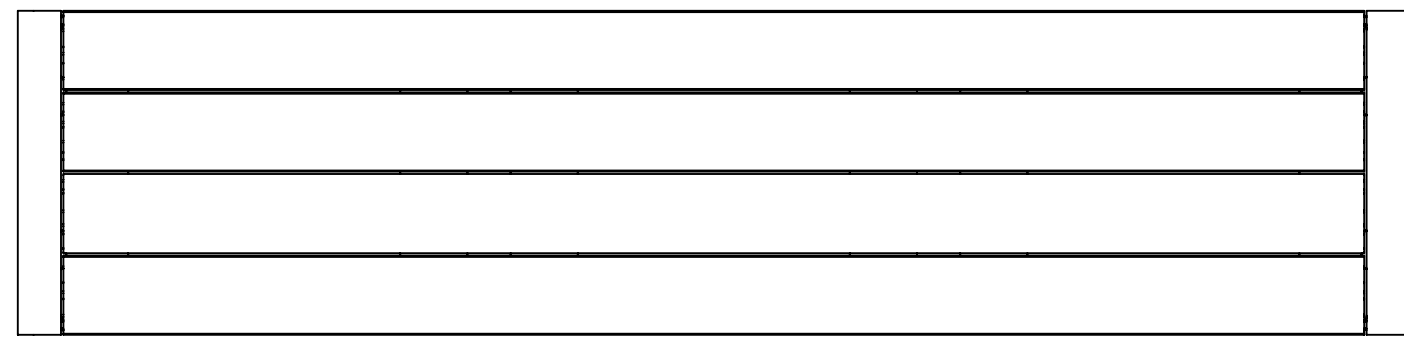
B

A

PRINTED: 11/5/2014

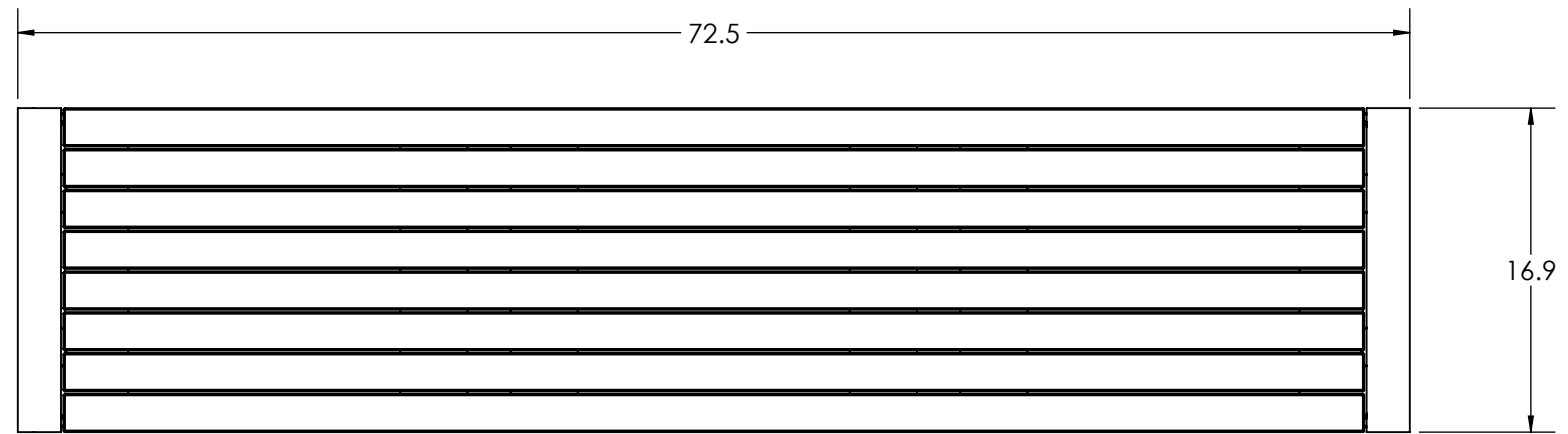
8 7 6 5 4 3 2 1

D

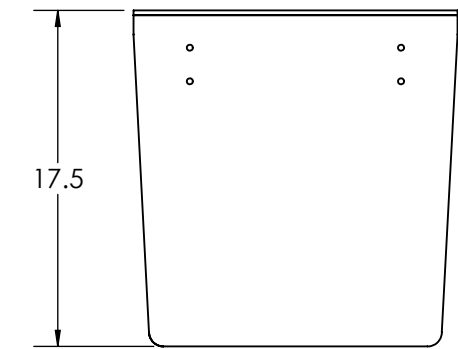


TOP VIEW - ALUMINUM SLAT

C



TOP VIEW - WOOD SLAT



RIGHT VIEW

B

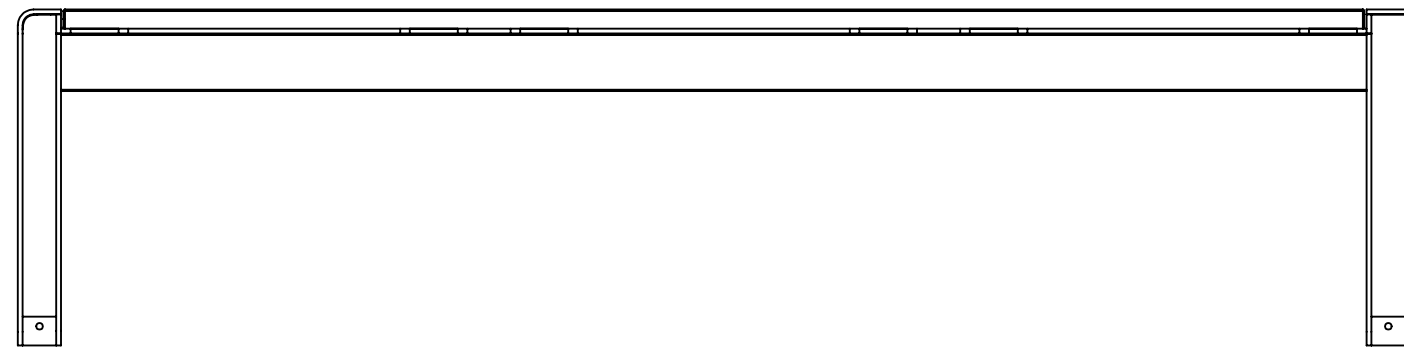
CUSTOMER APPROVAL:

X _____

DATE:

X _____

A



FRONT VIEW

UNLESS OTHERWISE SPECIFIED, DIMENSIONS ARE IN INCHES		FORMS+SURFACES ® 30 Pine Street, Pittsburgh, PA 15223 Tel (412) 781-9003 Fax (412) 781-7840	
TOLERANCES (UNLESS OTHERWISE SPECIFIED): FRACTIONAL: ±1/32 ANGULAR/BEND: ±1° TWO PLACE DECIMAL ±.030 THREE PLACE DECIMAL ±.020		NAME	DATE
MATERIAL: SEE DATA SHEET		DWN	MGJ 11/3/2014
FINISH: SEE DATA SHEET		DO NOT SCALE DRAWING	
WEIGHT: 52.90 LBS.		PROPRIETARY AND CONFIDENTIAL	
SOURCE: -		THE INFORMATION CONTAINED IN THIS DRAWING IS THE SOLE PROPERTY OF FORMS + SURFACES. ANY REPRODUCTION IN PART OR AS A WHOLE WITHOUT WRITTEN PERMISSION IS PROHIBITED.	
SCALE: N.T.S.		SIZE	DWG. NO.
		B	SBVTR-72-1E1M-0B
		REV	SHEET
		0	1 OF 1

8 7 6 5 4 3 2 1

D

C

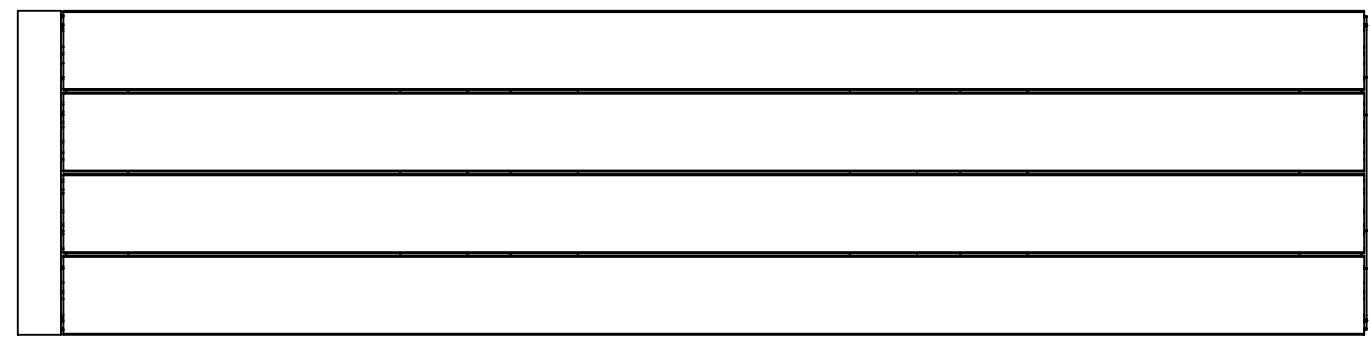
B

A

PRINTED: 11/5/2014

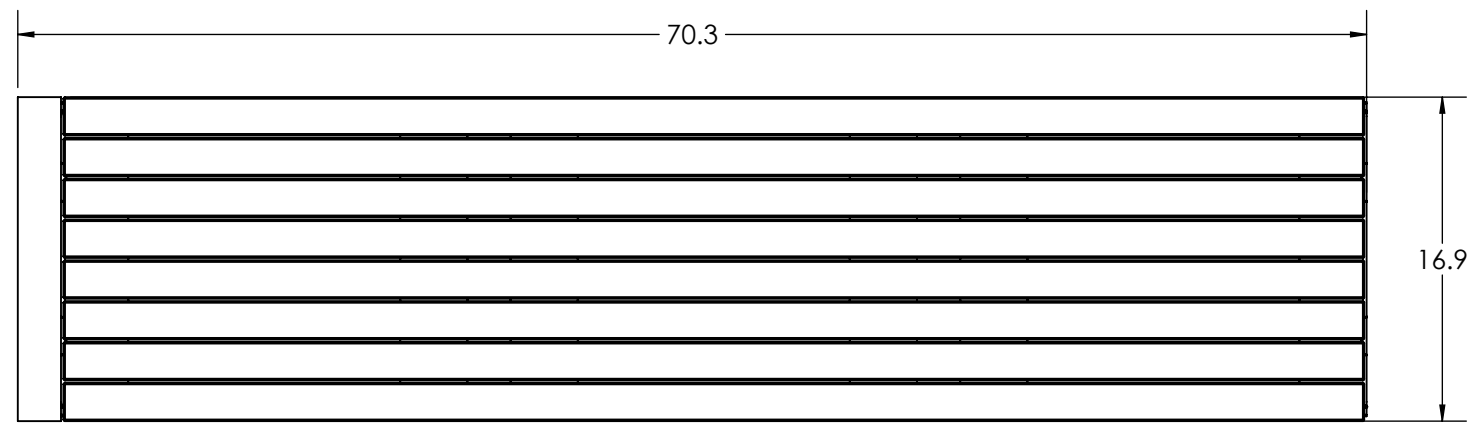
8 7 6 5 4 3 2 1

D

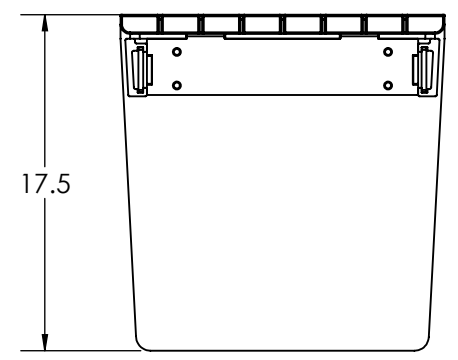


TOP VIEW - ALUMINUM SLAT

C



TOP VIEW - WOOD SLAT



RIGHT VIEW

B

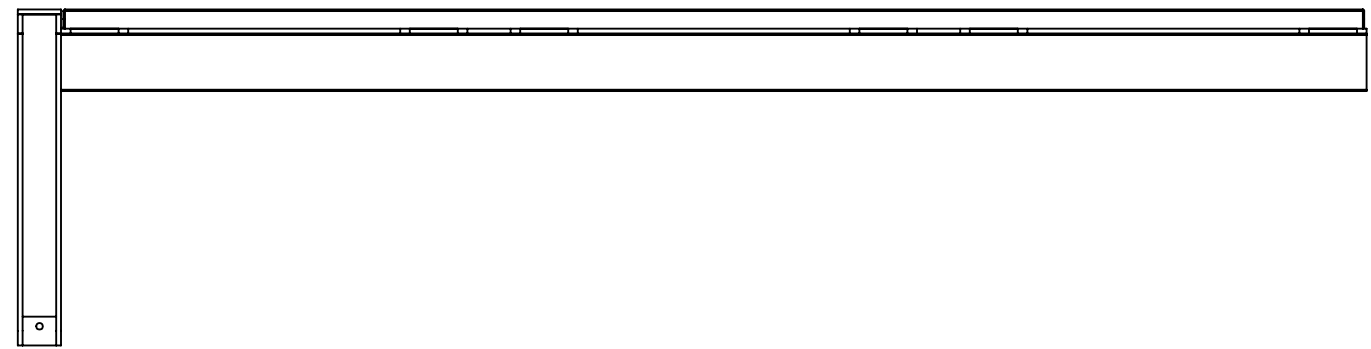
CUSTOMER APPROVAL:

X _____

DATE:

X _____

A



FRONT VIEW

UNLESS OTHERWISE SPECIFIED, DIMENSIONS ARE IN INCHES		FORMS+SURFACES ® 30 Pine Street, Pittsburgh, PA 15223 Tel (412) 781-9003 Fax (412) 781-7840	
TOLERANCES (UNLESS OTHERWISE SPECIFIED): FRACTIONAL: ±1/32 ANGULAR/BEND: ±1° TWO PLACE DECIMAL ±.030 THREE PLACE DECIMAL ±.020		NAME	DATE
MATERIAL: SEE DATA SHEET		DWN	MGJ 11/3/2014
FINISH: SEE DATA SHEET		DO NOT SCALE DRAWING	
WEIGHT: 52.90 LBS.		PROPRIETARY AND CONFIDENTIAL	
SOURCE: -		THE INFORMATION CONTAINED IN THIS DRAWING IS THE SOLE PROPERTY OF FORMS + SURFACES. ANY REPRODUCTION IN PART OR AS A WHOLE WITHOUT WRITTEN PERMISSION IS PROHIBITED.	
SCALE: N.T.S.		SIZE	DWG. NO.
		B	SBVTR-72-1M-0B
		REV	SHEET
		0	1 OF 1

8 7 6 5 4 3 2 1

D

C

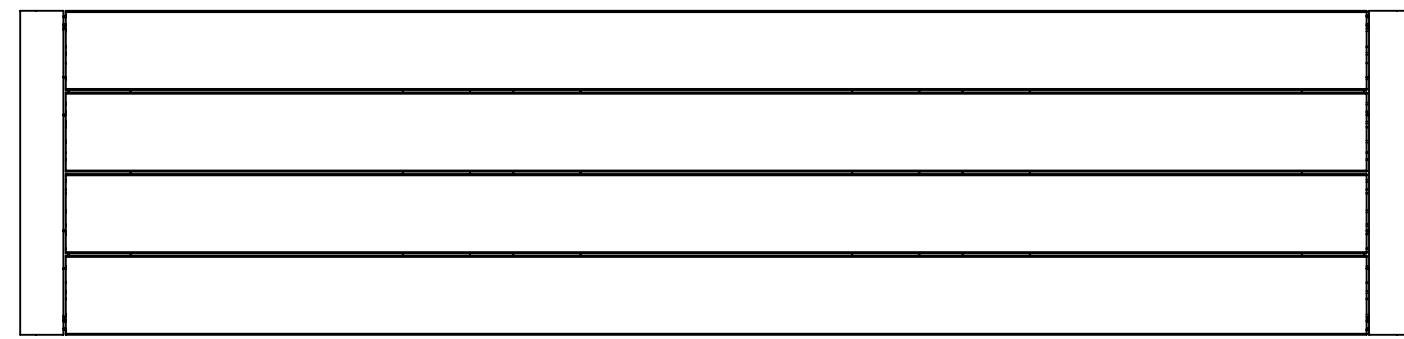
B

A

PRINTED: 11/5/2014

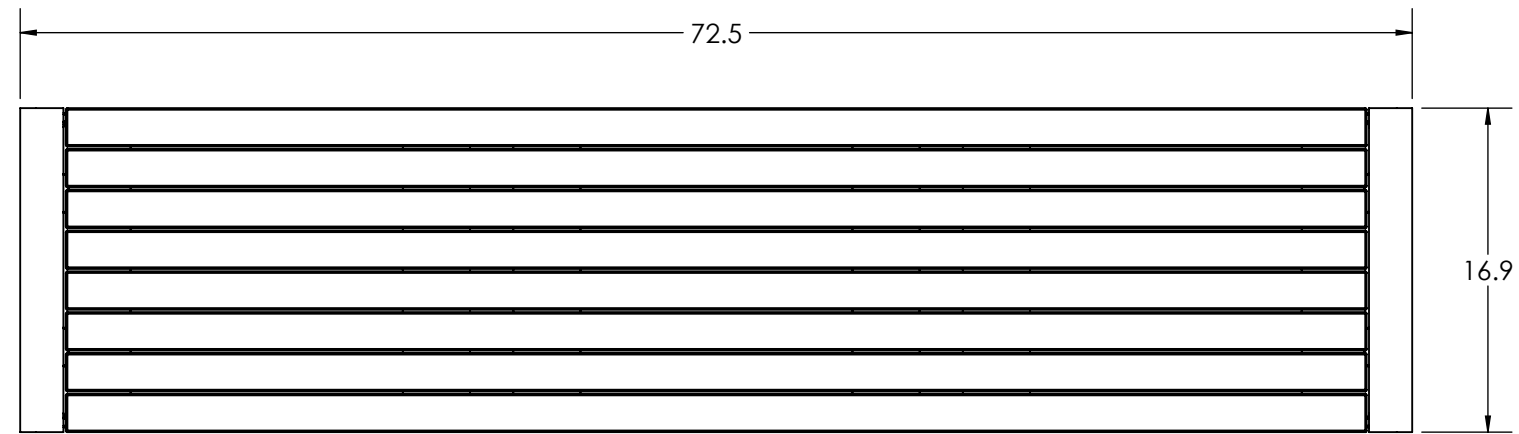
8 7 6 5 4 3 2 1

D

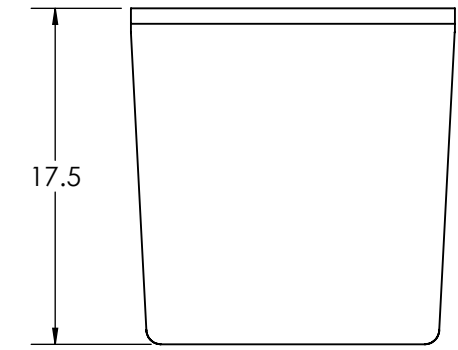


TOP VIEW - ALUMINUM SLAT

C

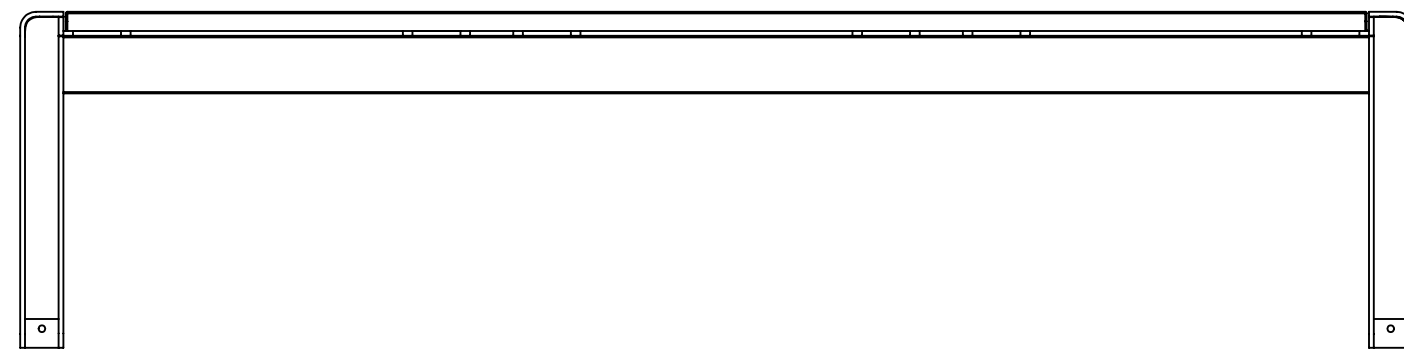


TOP VIEW - WOOD SLAT



RIGHT VIEW

B



FRONT VIEW

CUSTOMER APPROVAL:

X _____

DATE:

X _____

A

UNLESS OTHERWISE SPECIFIED, DIMENSIONS ARE IN INCHES		FORMS+SURFACES ® 30 Pine Street, Pittsburgh, PA 15223 Tel (412) 781-9003 Fax (412) 781-7840	
TOLERANCES (UNLESS OTHERWISE SPECIFIED): FRACTIONAL: ±1/32 ANGULAR/BEND: ±1°* TWO PLACE DECIMAL ±.030 THREE PLACE DECIMAL ±.020		NAME	DATE
MATERIAL: SEE DATA SHEET		DWN	MGJ 11/04/2014
FINISH: SEE DATA SHEET		DO NOT SCALE DRAWING	
WEIGHT: 160.92 LBS.		PROPRIETARY AND CONFIDENTIAL	
SOURCE: -		THE INFORMATION CONTAINED IN THIS DRAWING IS THE SOLE PROPERTY OF FORMS + SURFACES. ANY REPRODUCTION IN PART OR AS A WHOLE WITHOUT WRITTEN PERMISSION IS PROHIBITED.	
SCALE: N.T.S.		SIZE	DWG. NO.
		B	SBVTR-72-2E-0B
		REV	SHEET
		0	1 OF 1

8 7 6 5 4 3 2 1

D

C

B

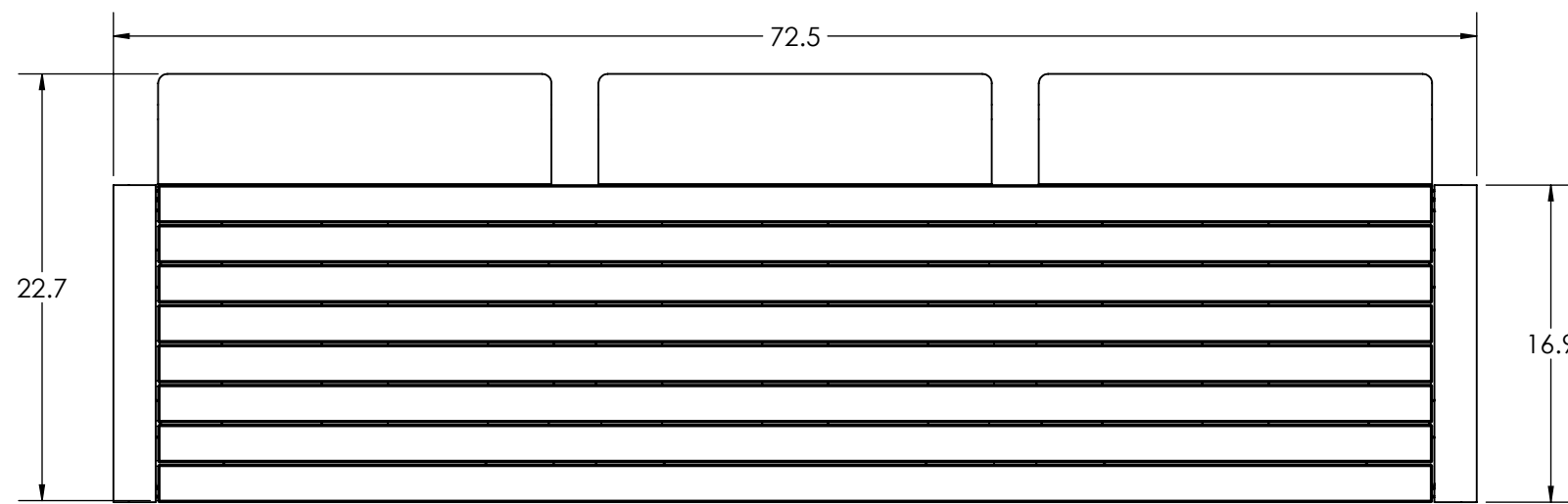
A

PRINTED: 11/05/2014

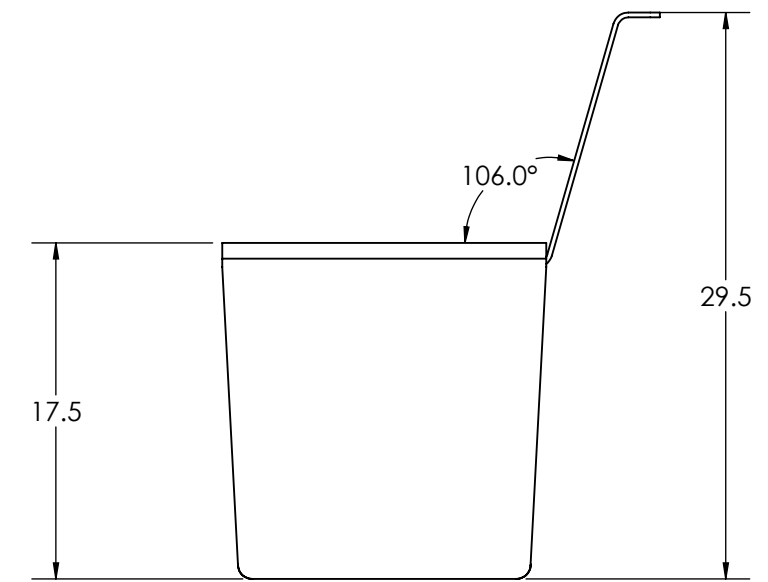
8 7 6 5 4 3 2 1



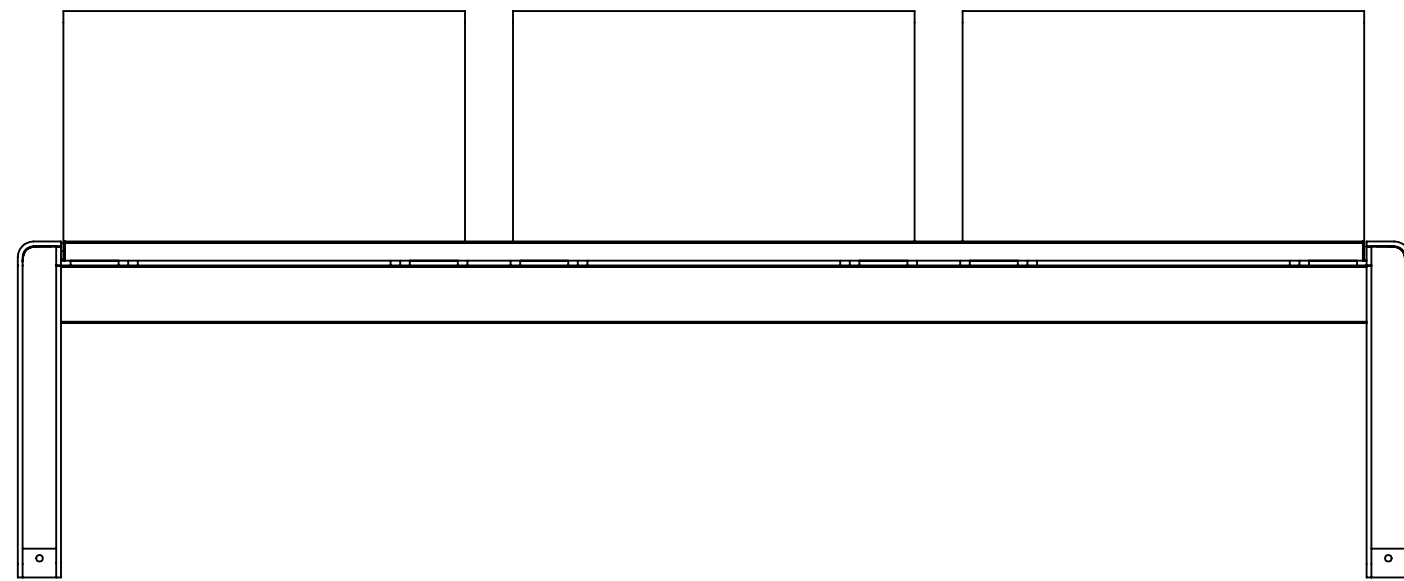
TOP VIEW - ALUMINUM SLAT



TOP VIEW - WOOD SLAT



RIGHT VIEW



FRONT VIEW

CUSTOMER APPROVAL:

X _____

DATE:

X _____

UNLESS OTHERWISE SPECIFIED,
DIMENSIONS ARE IN INCHES
TOLERANCES (UNLESS OTHERWISE
SPECIFIED):
FRACTIONAL: ±1/32
ANGULAR/BEND: ±1°
TWO PLACE DECIMAL ±.030
THREE PLACE DECIMAL ±.020
MATERIAL: SEE DATA SHEET
FINISH: SEE DATA SHEET
WEIGHT: 160.92 LBS.
SOURCE: -
SCALE: N.T.S.

FORMS+SURFACES® 30 Pine Street, Pittsburgh, PA 15223
Tel (412) 781-9003 Fax (412) 781-7840

NAME	DATE
DWN	MGJ 11/04/2014

VECTOR SEATING SYSTEM 6 FOOT, STANDALONE, THREE BACKRESTS			
SBVTR-72A-2E-3B			
SBVTR-72J-2E-3B			
SIZE	DWG. NO.	REV	SHEET
B	SBVTR-72-2E-3B	0	1 OF 1

DO NOT SCALE DRAWING
PROPRIETARY AND CONFIDENTIAL
THE INFORMATION CONTAINED IN THIS
DRAWING IS THE SOLE PROPERTY OF
FORMS + SURFACES. ANY REPRODUCTION
IN PART OR AS A WHOLE WITHOUT
WRITTEN PERMISSION IS PROHIBITED.

D
C
B
A

D
C
B
A

8 7 6 5 4 3 2 1

PRINTED: 11/05/2014