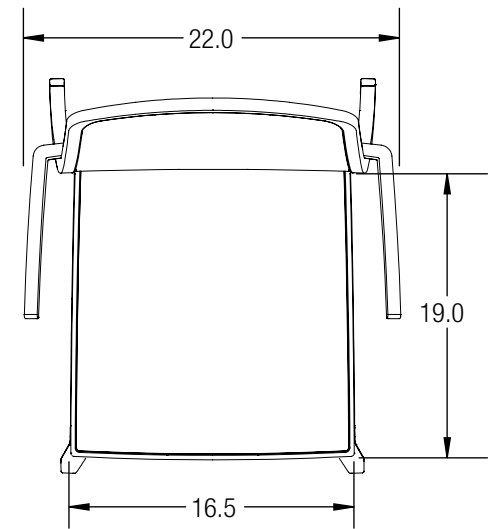
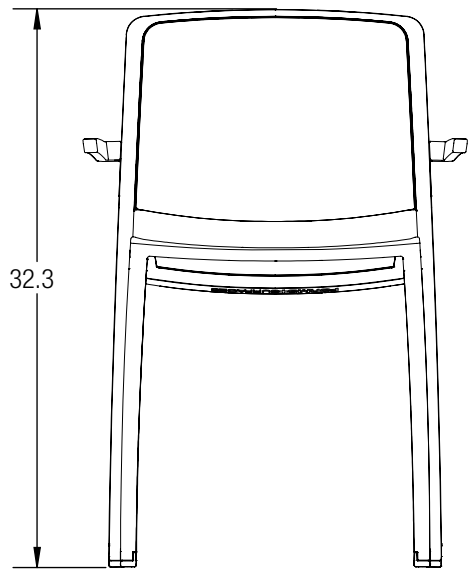


8 7 6 5 4 3 2 1

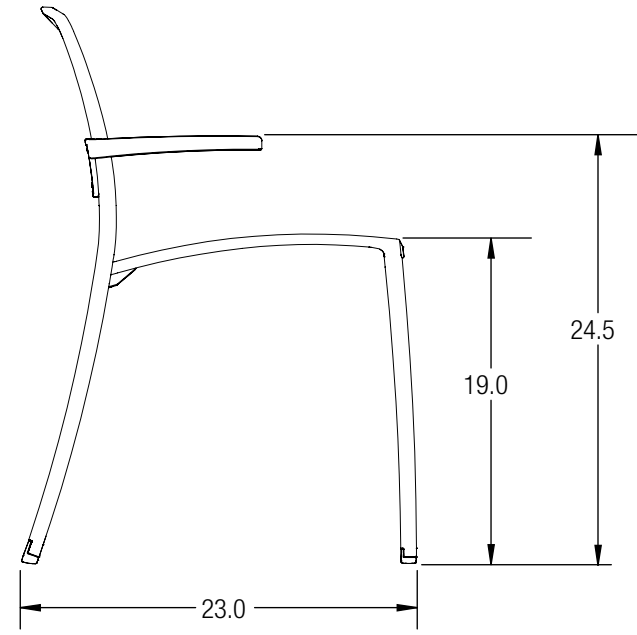
D  
C  
B  
A



TOP VIEW



FRONT VIEW



SIDE VIEW

CUSTOMER APPROVAL:

X \_\_\_\_\_

DATE:

X \_\_\_\_\_

UNLESS OTHERWISE SPECIFIED,  
DIMENSIONS ARE IN INCHES  
TOLERANCES (UNLESS OTHERWISE  
SPECIFIED):  
FRACTIONAL: ±1/32  
ANGULAR/BEND: ±1°\*  
TWO PLACE DECIMAL ±.030  
THREE PLACE DECIMAL ±.020  
FINISH: SEE DATA SHEET  
WEIGHT: 21.7 LBS.  
SOURCE: M  
SCALE: N.T.S.

**FORMS+SURFACES**® 30 Pine Street, Pittsburgh, PA 15223  
Tel (412) 781-9003 Fax (412) 781-7840

NAME	DATE
DWN MAH	2/11/2016

DO NOT SCALE DRAWING

PROPRIETARY AND CONFIDENTIAL  
THE INFORMATION CONTAINED IN THIS  
DRAWING IS THE SOLE PROPERTY OF  
FORMS + SURFACES. ANY REPRODUCTION  
IN PART OR AS A WHOLE WITHOUT  
WRITTEN PERMISSION IS PROHIBITED.

AVIVO CHAIR, WITH ARMRESTS  
SCAVO-A

SIZE	DWG. NO.	REV	SHEET
B	SCAVO-A	0	1 OF 1

8 7 6 5 4 3 2 1

D  
C  
B  
A

PRINTED: 2/11/2016