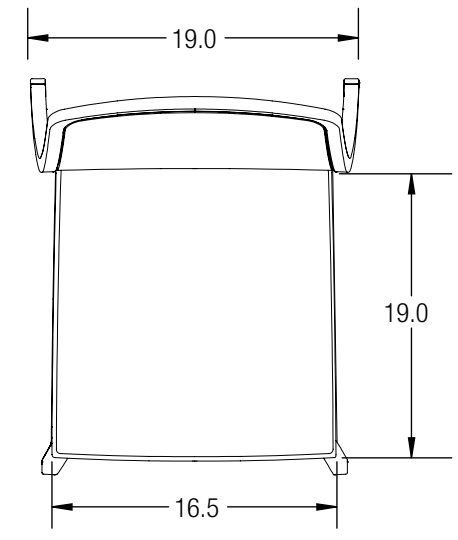


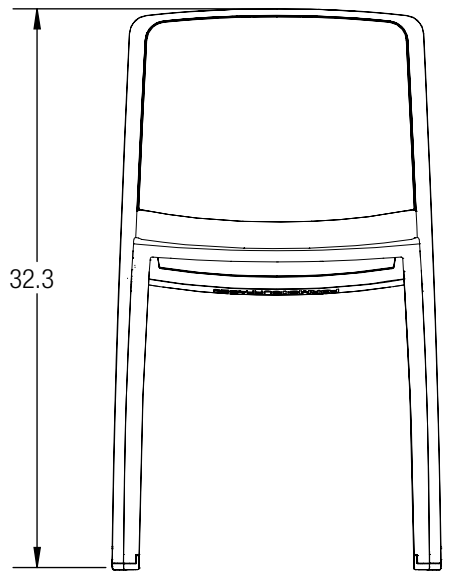
8 7 6 5 4 3 2 1

D
C
B
A

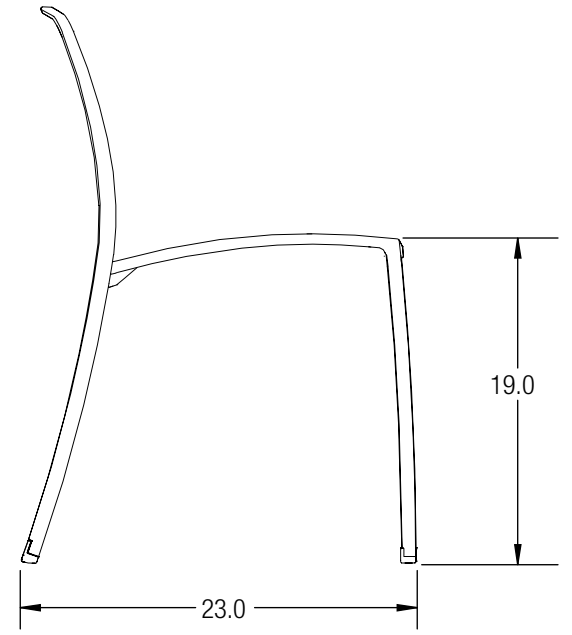
D
C
B
A



TOP VIEW



FRONT VIEW



SIDE VIEW

CUSTOMER APPROVAL:

DATE:

UNLESS OTHERWISE SPECIFIED, DIMENSIONS ARE IN INCHES		FORMS+SURFACES®		30 Pine Street, Pittsburgh, PA 15223 Tel (412) 781-9003 Fax (412) 781-7840	
TOLERANCES (UNLESS OTHERWISE SPECIFIED):		NAME	DATE	AVIVO CHAIR	
FRACTIONAL: ±1/32		DWN	GAS	2/10/2016	SCAVO
ANGULAR/BEND: ±1°					
TWO PLACE DECIMAL ±.030					
THREE PLACE DECIMAL ±.020					
MATERIAL: SEE DATA SHEET		DO NOT SCALE DRAWING			
FINISH: SEE DATA SHEET		PROPRIETARY AND CONFIDENTIAL			
WEIGHT: 16 LBS.		THE INFORMATION CONTAINED IN THIS DRAWING IS THE SOLE PROPERTY OF FORMS + SURFACES. ANY REPRODUCTION IN PART OR AS A WHOLE WITHOUT WRITTEN PERMISSION IS PROHIBITED.		SIZE	DWG. NO.
SOURCE: M				B	SCAVO
SCALE: N.T.S.				REV	SHEET
				0.0	1 OF 1

8 7 6 5 4 3 2 1

PRINTED: 2/10/2016