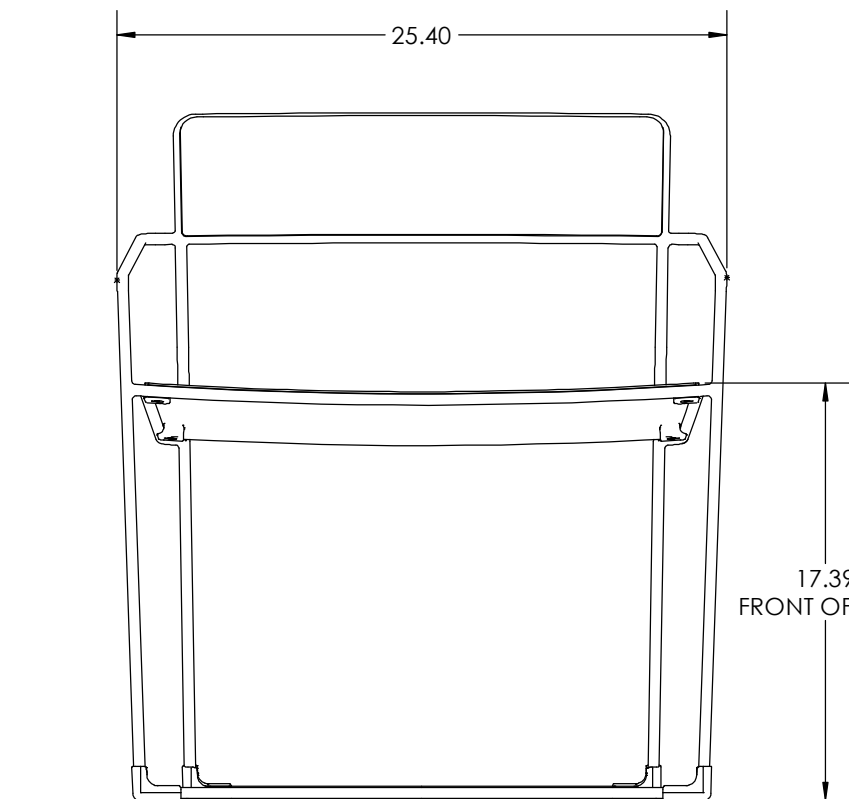
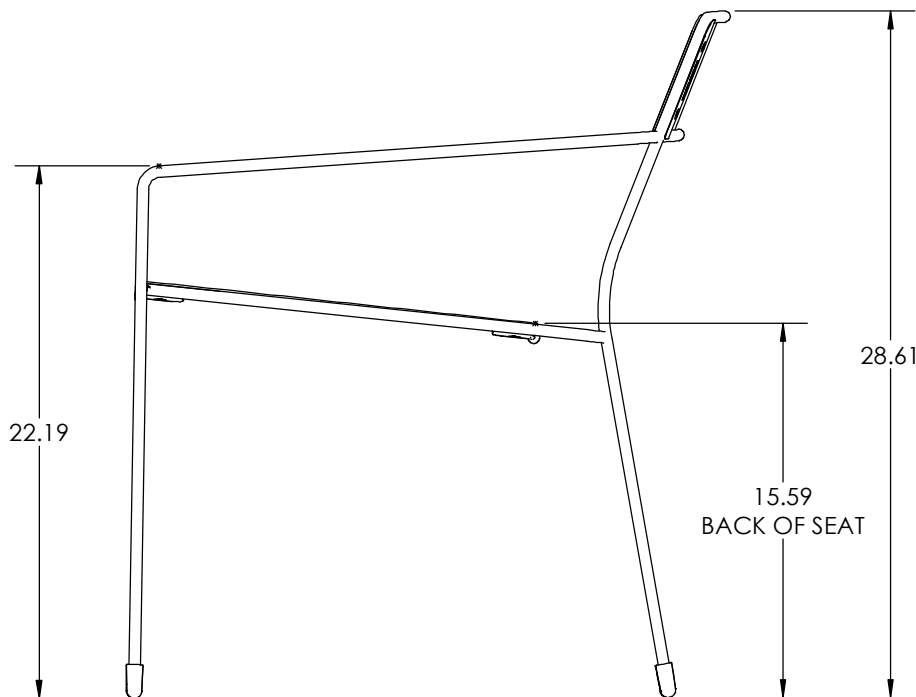


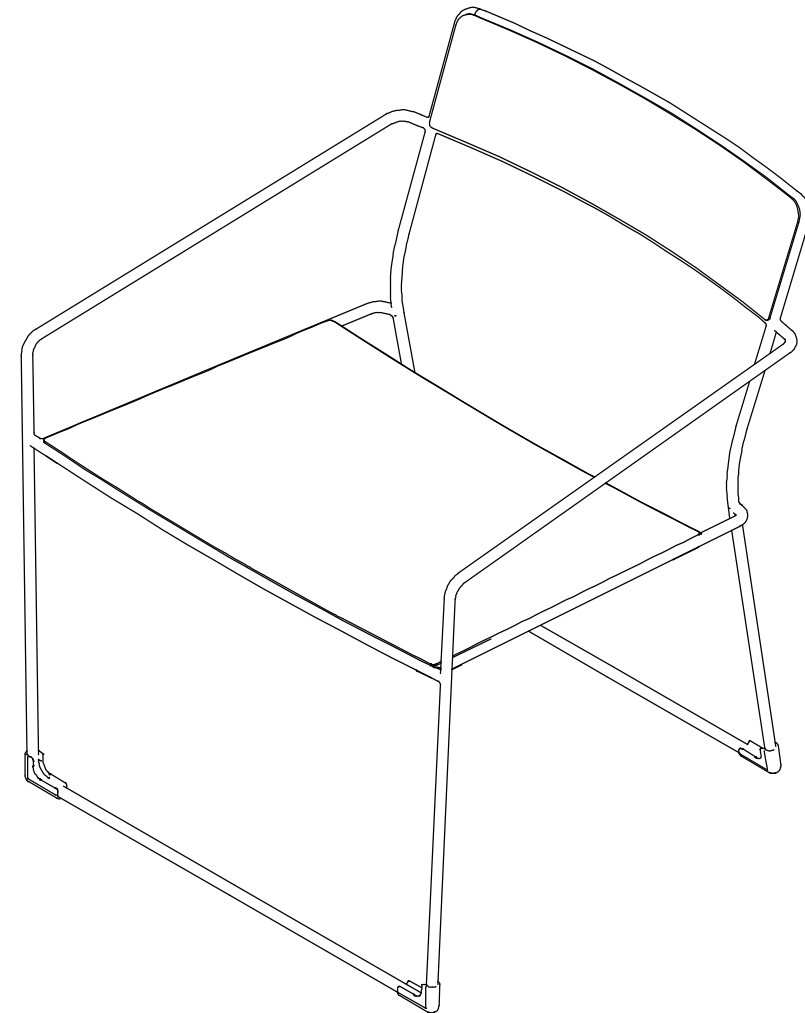
TOP VIEW



FRONT VIEW



SIDE VIEW



ISOMETRIC VIEW

CUSTOMER APPROVAL:

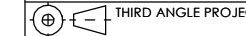
X \_\_\_\_\_

DATE:

X \_\_\_\_\_

**UNLESS OTHERWISE SPECIFIED:**

- 1. PRIMARY DIM. ARE IN INCHES & SECONDARY [DIM] IN MM
- 2. TOLERANCES
- FRACTIONAL:  $\pm 1/32$ ; ANGULAR/BEND:  $\pm 1^\circ$
- TWO PLACE DECIMAL  $\pm .030$
- THREE PLACE DECIMAL  $\pm .020$
- 3. REMOVE ALL BURRS AND SHARP EDGES



THIRD ANGLE PROJECTION

MATERIAL: SEE DATA SHEET

FINISH: SEE DATA SHEET

WEIGHT: SEE DATA SHEET

SCALE: NOT TO SCALE

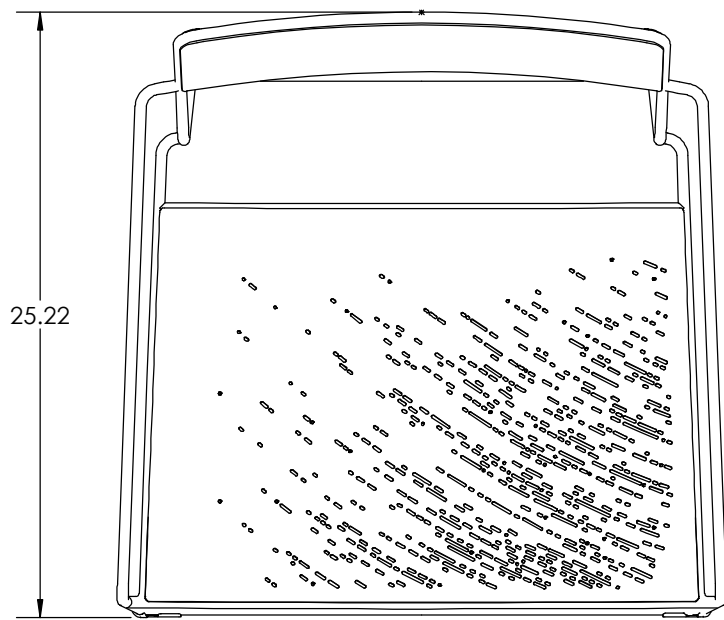


30 Pine Street, Pittsburgh, PA 15223  
Tel (412) 781-9003 Fax (412) 781-7840

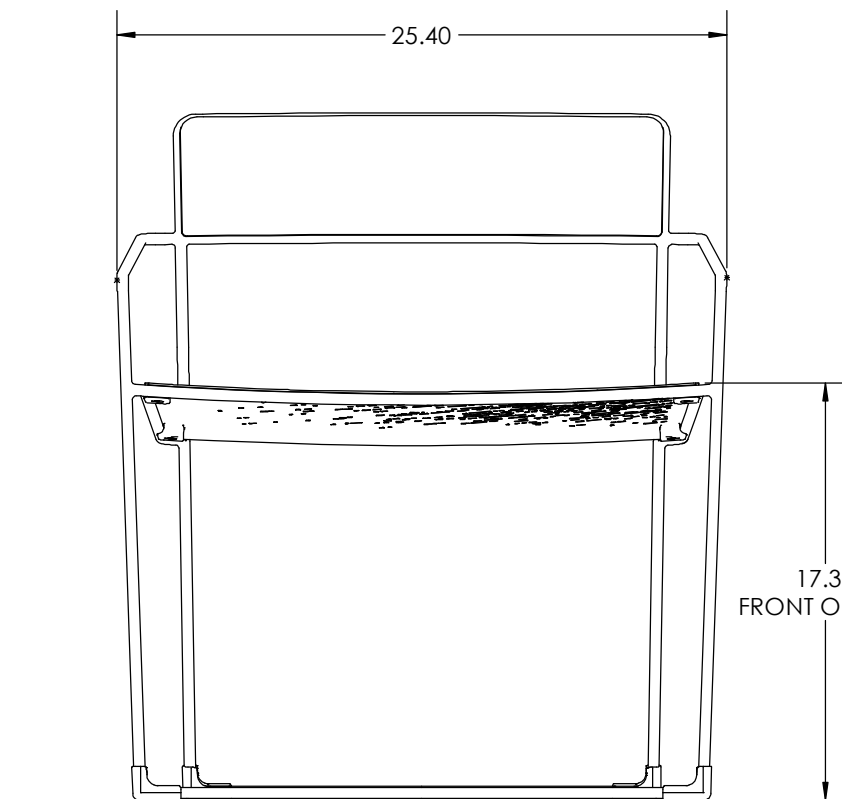
NAME	DATE
DWN DEF	7/16/2021
CHK	

DESCRIPTION:  
**SCLIN-L, NPRF**  
**LINEA LOUNGE CHAIR, NO PERFORATION**

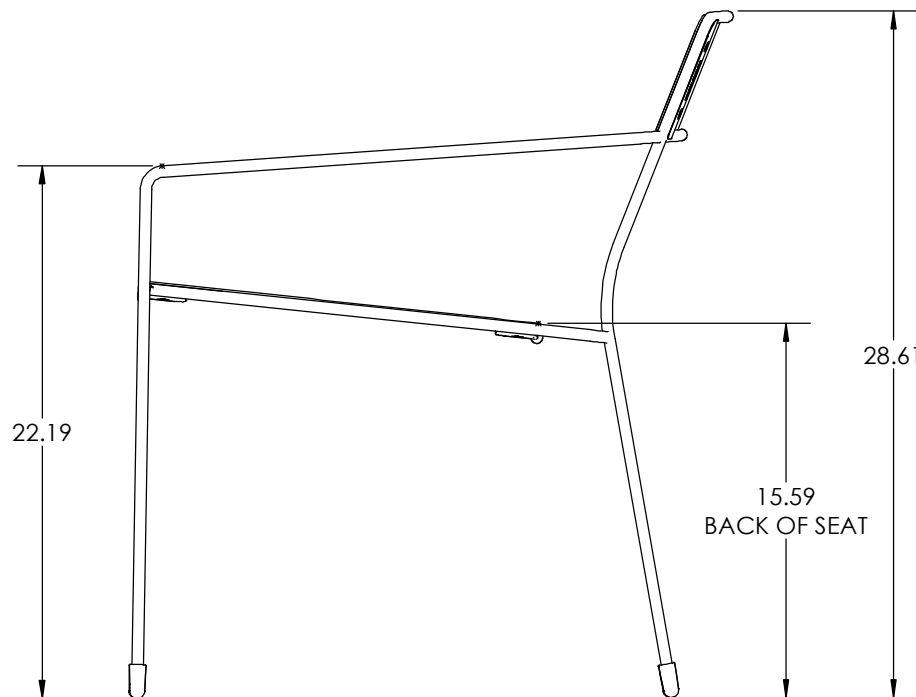
SIZE	DWG. NO.	REV	SHEET
B	SCLIN-L-NPRF-CS	0	1 OF 1



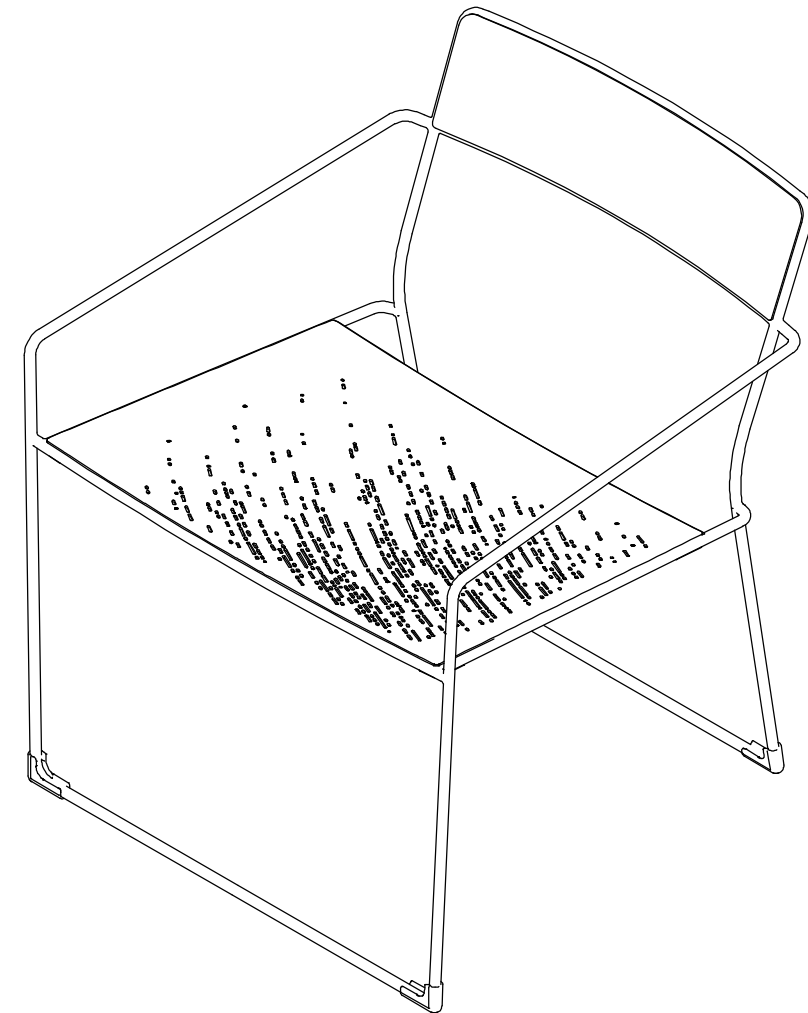
TOP VIEW



FRONT VIEW



SIDE VIEW



ISOMETRIC VIEW

CUSTOMER APPROVAL:

X \_\_\_\_\_

DATE:

X \_\_\_\_\_

**UNLESS OTHERWISE SPECIFIED:**

- 1. PRIMARY DIM. ARE IN INCHES & SECONDARY [DIM] IN MM
- 2. TOLERANCES  
 FRACTIONAL:  $\pm 1/32$ ; ANGULAR/BEND:  $\pm 1^\circ$   
 TWO PLACE DECIMAL  $\pm .030$   
 THREE PLACE DECIMAL  $\pm .020$
- 3. REMOVE ALL BURRS AND SHARP EDGES



THIRD ANGLE PROJECTION

MATERIAL: SEE DATA SHEET

FINISH: SEE DATA SHEET

WEIGHT: SEE DATA SHEET

SCALE: NOT TO SCALE



30 Pine Street, Pittsburgh, PA 15223  
 Tel (412) 781-9003 Fax (412) 781-7840

NAME	DATE
DWN DEF	7/16/2021
CHK	

DESCRIPTION:  
  
**SCLIN-L, PRF**  
**LINIA LOUNGE CHAIR, SWEEP PERFORATION**

SIZE	DWG. NO.	REV	SHEET
B	SCLIN-L-PRF-CS	0	1 OF 1

**PROPRIETARY AND CONFIDENTIAL**  
 THE INFORMATION CONTAINED IN THIS DRAWING IS THE SOLE PROPERTY OF FORMS + SURFACES. ANY REPRODUCTION IN PART OR AS A WHOLE WITHOUT WRITTEN PERMISSION IS PROHIBITED.