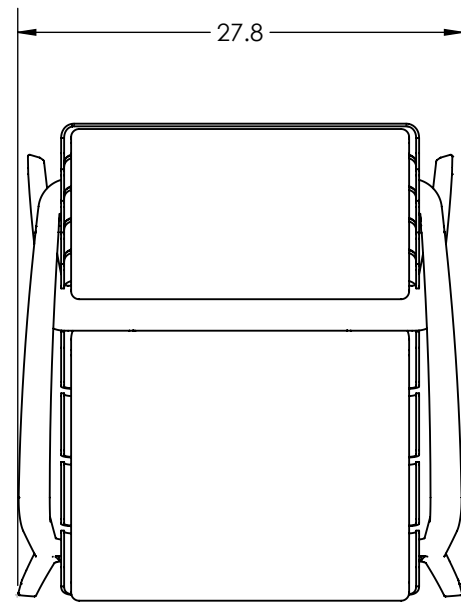


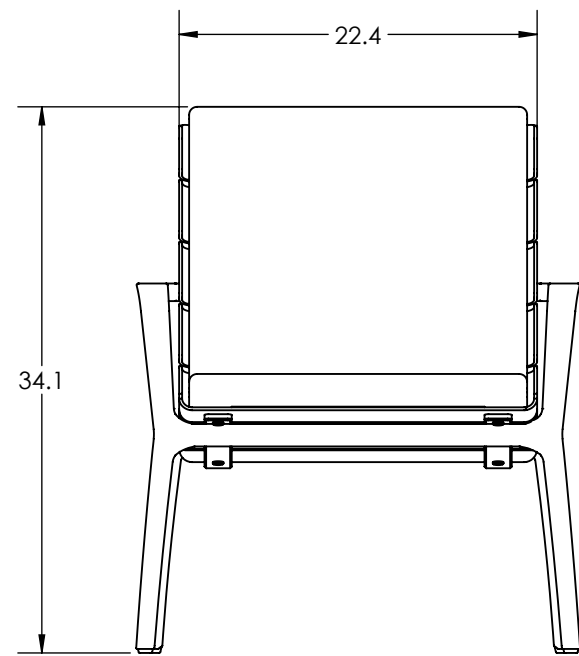
8 7 6 5 4 3 2 1

D
C
B
A

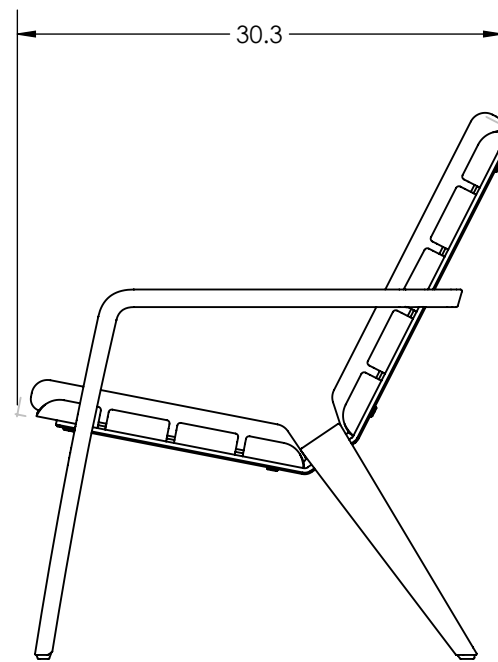
D
C
B
A



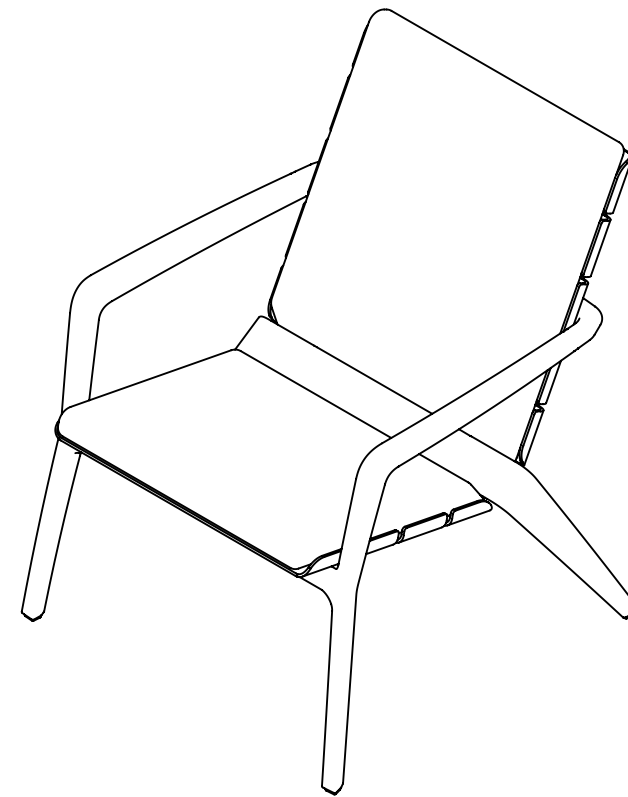
TOP VIEW



FRONT VIEW



SIDE VIEW



ISOMETRIC VIEW

CUSTOMER APPROVAL:

X _____

DATE:

X _____

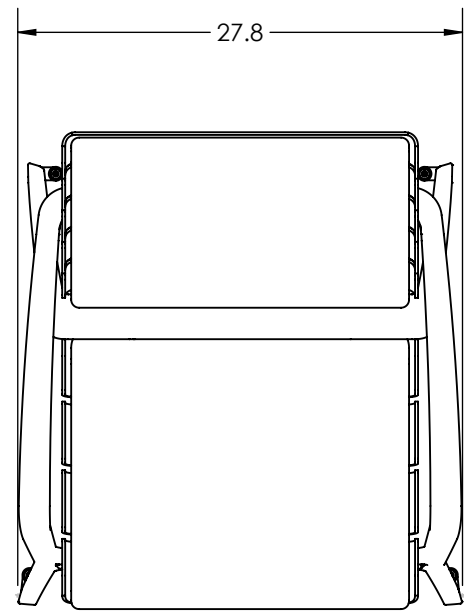
<small>UNLESS OTHERWISE SPECIFIED: 1. PRIMARY DIM. ARE IN INCHES & SECONDARY [DIM] IN MM 2. TOLERANCES FRACTIONAL: ±1/32; ANGULAR/BEND: ±1° TWO PLACE DECIMAL ±.030 THREE PLACE DECIMAL ±.020 3. REMOVE ALL BURRS AND SHARP EDGES</small>				<small>30 Pine Street, Pittsburgh, PA 15223 Tel (412) 781-9003 Fax (412) 781-7840</small>		
<small>THIRD ANGLE PROJECTION</small>		NAME	DATE	DESCRIPTION: VAYA TEXTILE CHAIR FREESTANDING SCVYA-T-FRS		
MATERIAL: SEE DATA SHEET		DWN	RTS			04/15/20
FINISH: SEE DATA SHEET		CHK				
WEIGHT: SEE DATA SHEET		PROPRIETARY AND CONFIDENTIAL <small>THE INFORMATION CONTAINED IN THIS DRAWING IS THE SOLE PROPERTY OF FORMS + SURFACES. ANY REPRODUCTION IN PART OR AS A WHOLE WITHOUT WRITTEN PERMISSION IS PROHIBITED.</small>			SIZE	
SCALE: NOT TO SCALE		DWG. NO.		REV	SHEET	
		B		SCVYA-T-FRS-CS	0	1 OF 1

8 7 6 5 4 3 2 1

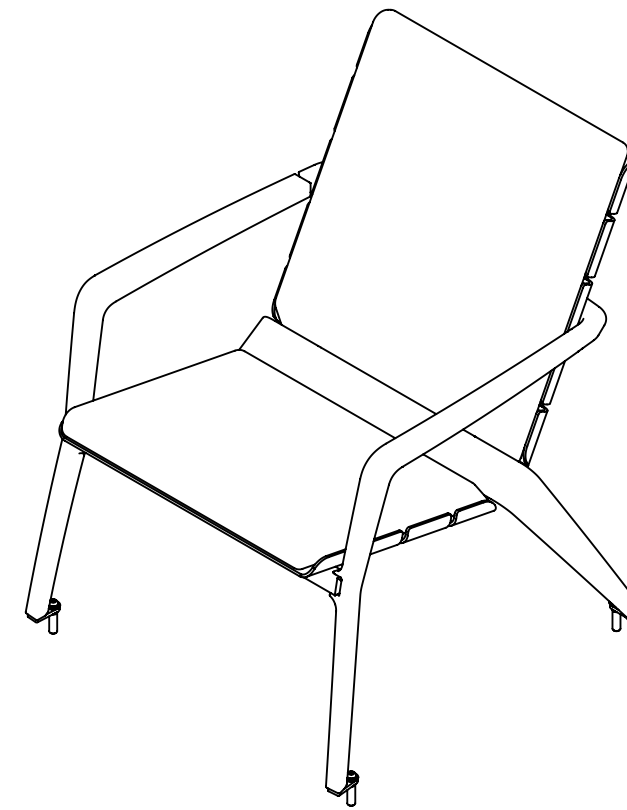
8 7 6 5 4 3 2 1

D
C
B
A

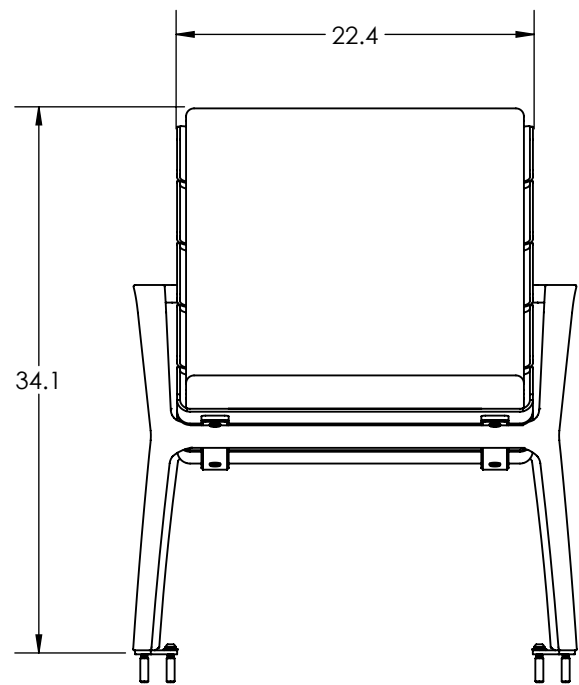
D
C
B
A



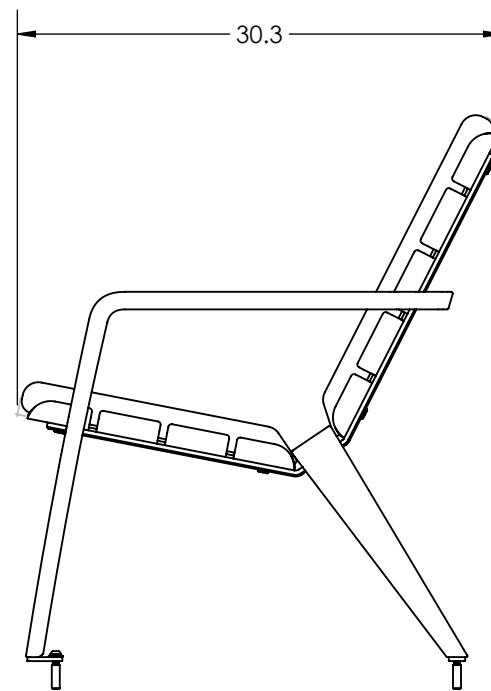
TOP VIEW



ISOMETRIC VIEW



FRONT VIEW




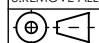
SIDE VIEW

CUSTOMER APPROVAL:

X _____

DATE:

X _____

UNLESS OTHERWISE SPECIFIED: 1. PRIMARY DIM. ARE IN INCHES & SECONDARY [DIM] IN MM 2. TOLERANCES FRACTIONAL: ±1/32; ANGULAR/BEND: ±1° TWO PLACE DECIMAL ±.030 THREE PLACE DECIMAL ±.020 3. REMOVE ALL BURRS AND SHARP EDGES		 30 Pine Street, Pittsburgh, PA 15223 Tel (412) 781-9003 Fax (412) 781-7840		DESCRIPTION: VAYA TEXTILE CHAIR SURFACE MOUNT SCVYA-T-SFM		
THIRD ANGLE PROJECTION 						NAME
MATERIAL: SEE DATA SHEET		DWN	RTS	04/15/20	SIZE B	
FINISH: SEE DATA SHEET		DO NOT SCALE DRAWING				DWG. NO. SCVYA-T-SFM-CS
WEIGHT: SEE DATA SHEET		PROPRIETARY AND CONFIDENTIAL THE INFORMATION CONTAINED IN THIS DRAWING IS THE SOLE PROPERTY OF FORMS + SURFACES. ANY REPRODUCTION IN PART OR AS A WHOLE WITHOUT WRITTEN PERMISSION IS PROHIBITED.				
SCALE: NOT TO SCALE					0	SHEET
					1	1 OF 1

8 7 6 5 4 3 2 1